

Fig. 1 — Typical Control Box (080-110 and Associated Modular Units Shown)

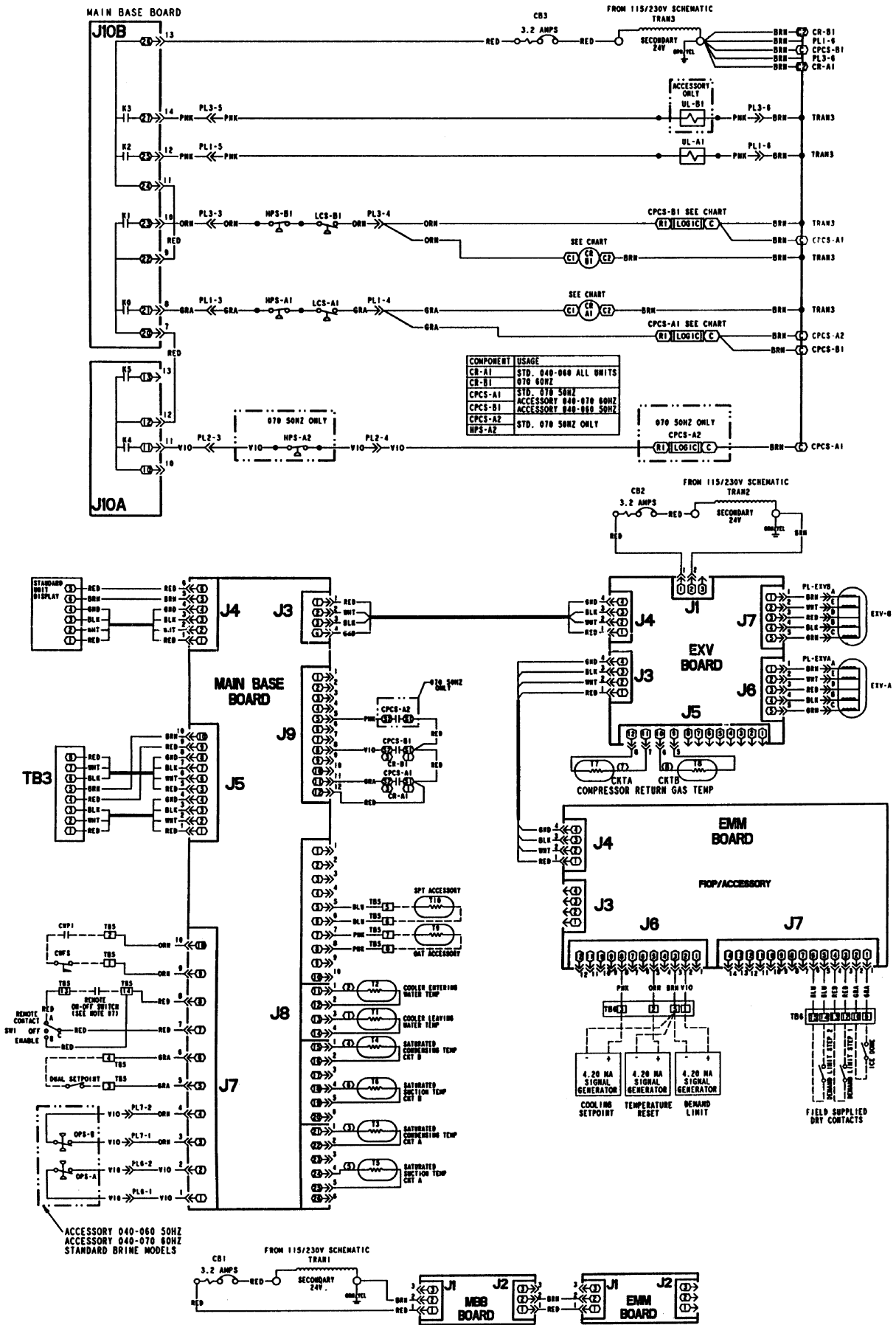


Fig. 2 — 24 V Control Schematic, Unit Sizes 040-070

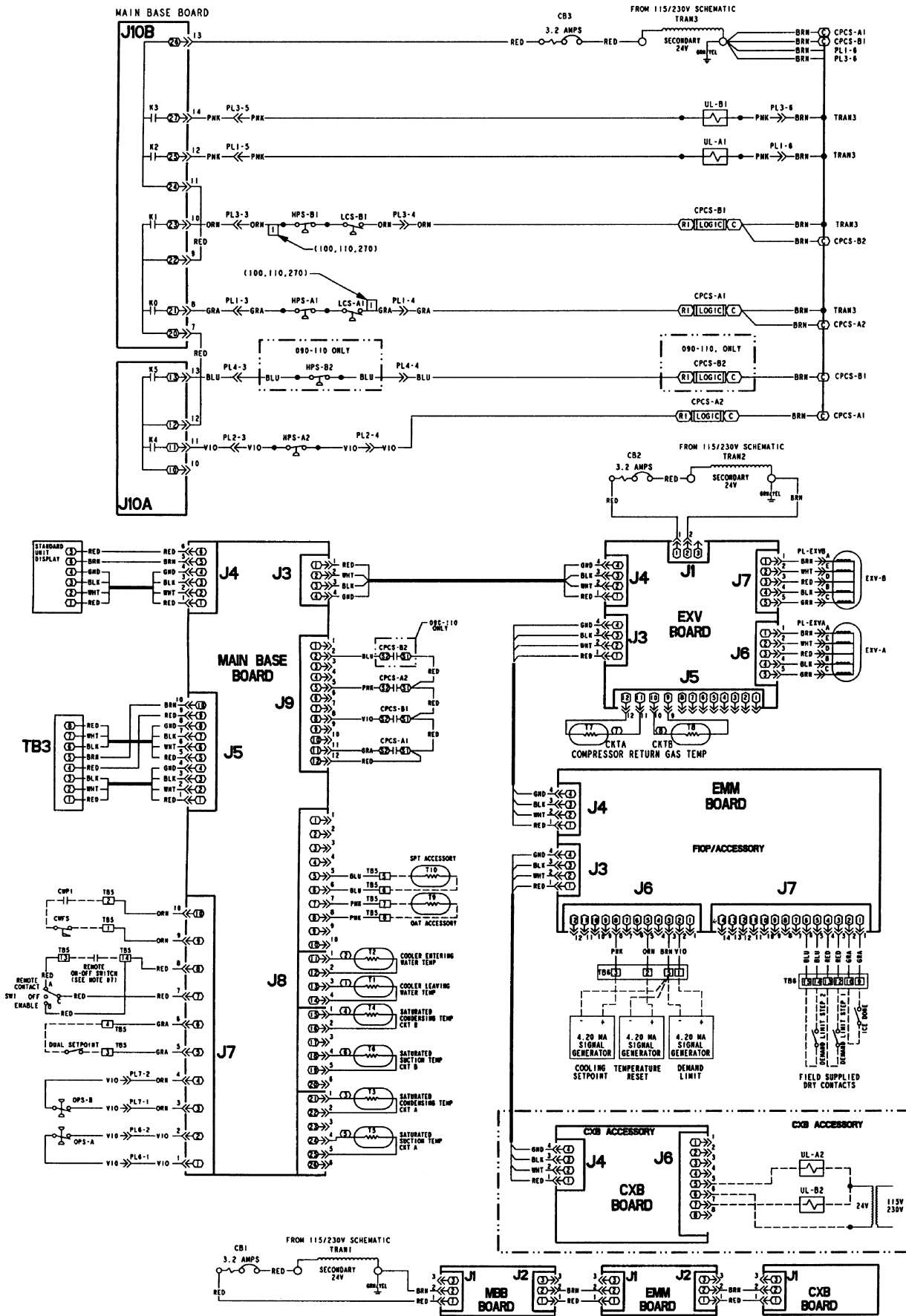


Fig. 3 — 24 V Control Schematic, Unit Sizes 080-110, 230B-315B

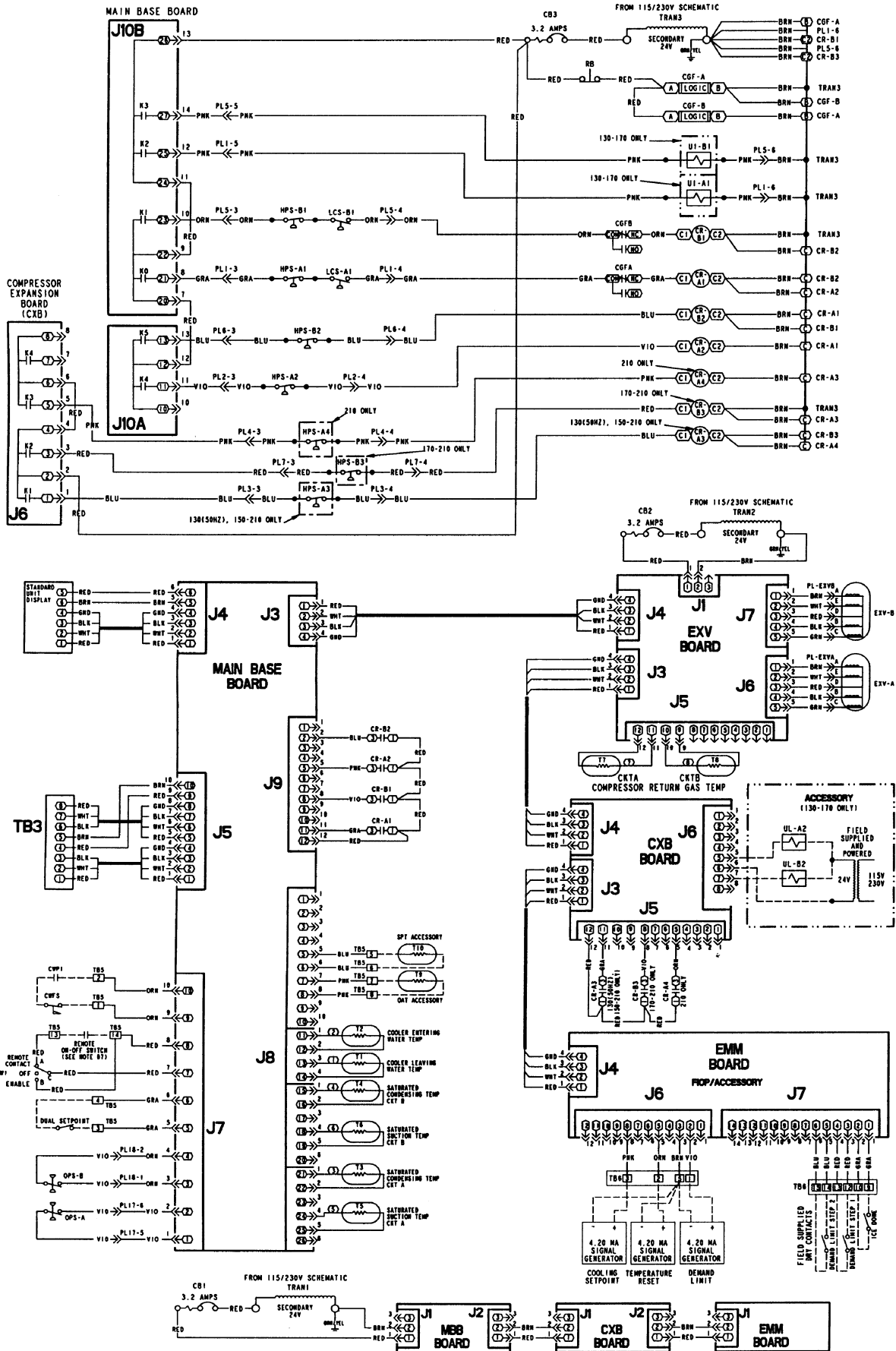
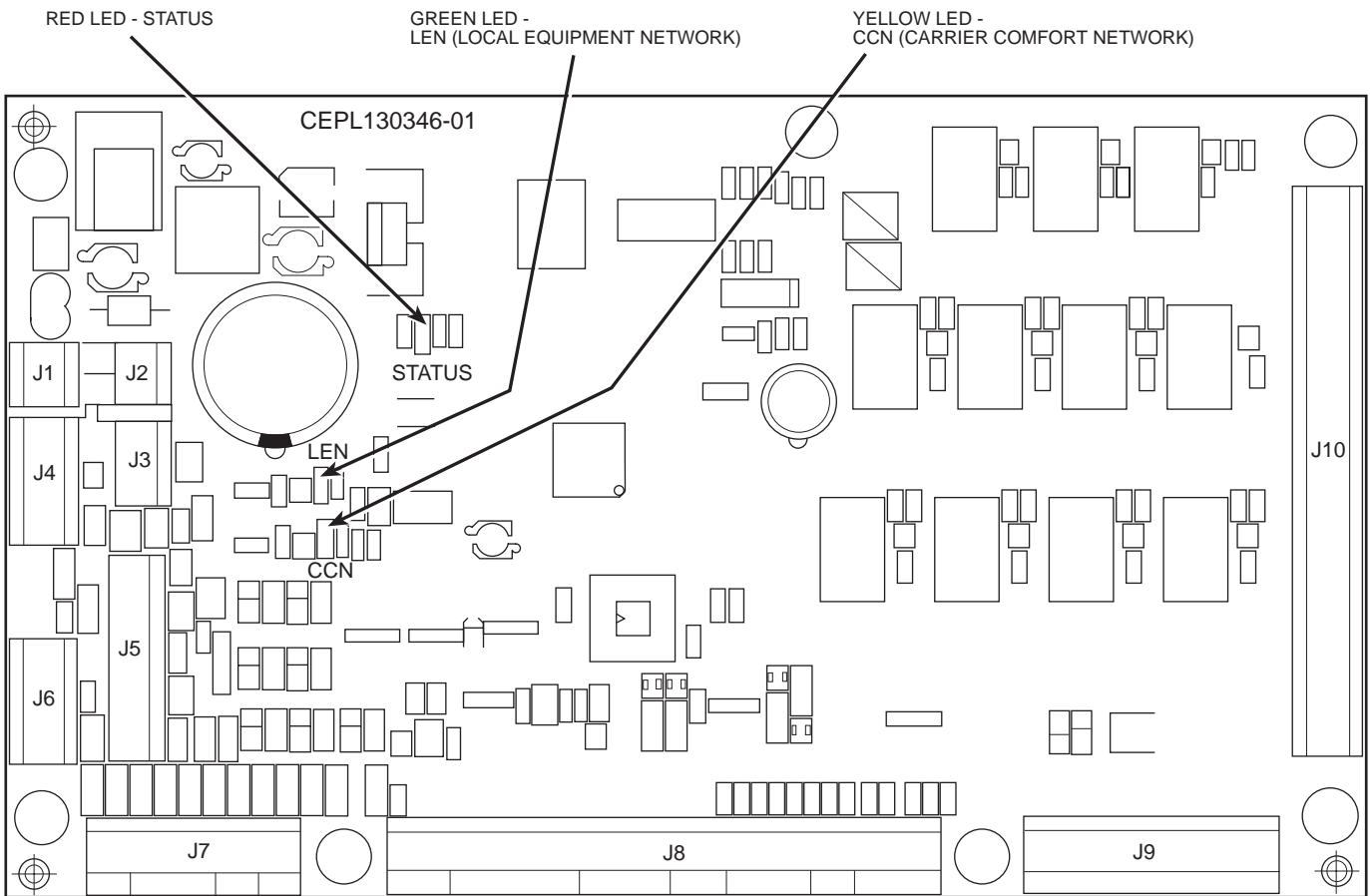
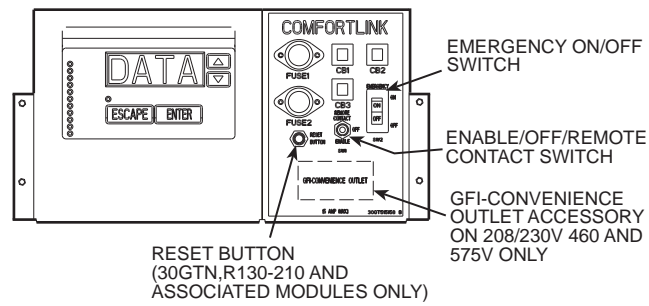


Fig. 4 — 24 V Control Schematic, Unit Sizes 130-210, 230A-315A, 330A/B-420A/B



**Fig. 5 — Main Base Board**



**Fig. 6 — Enable/Off/Remote Contact Switch, Emergency On/Off Switch, and Reset Button Locations**