

Definitions: Safety Alert Symbols and Words

This instruction manual uses the following safety alert symbols and words to alert you to hazardous situations and your risk of personal injury or property damage.





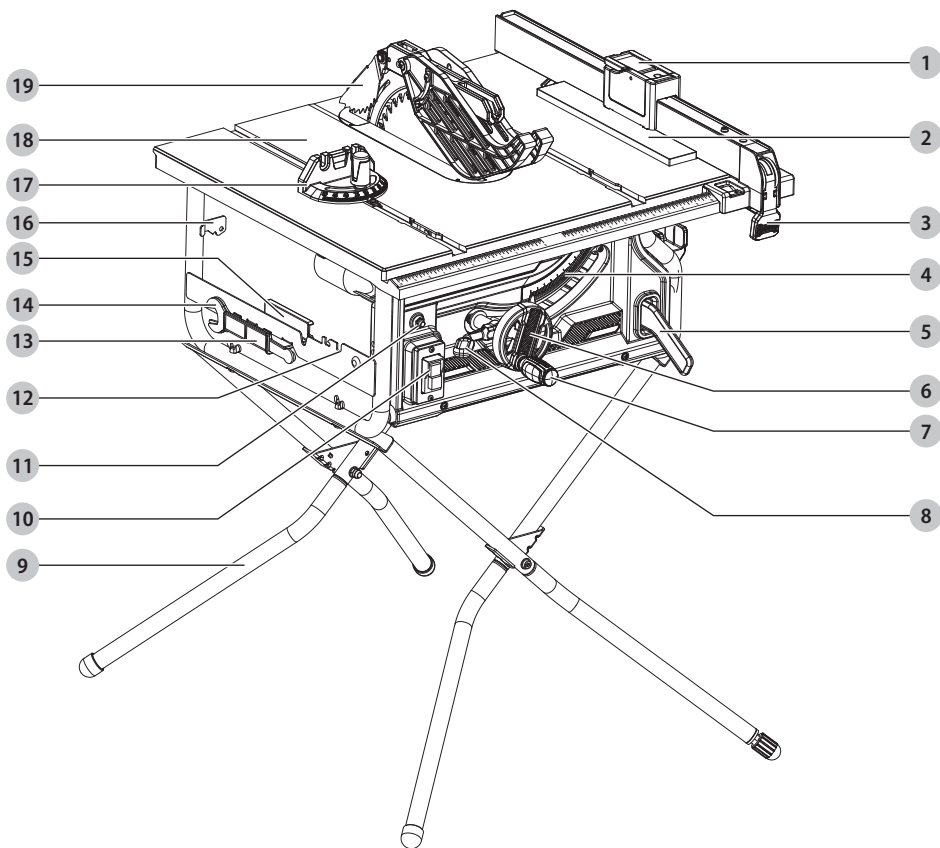
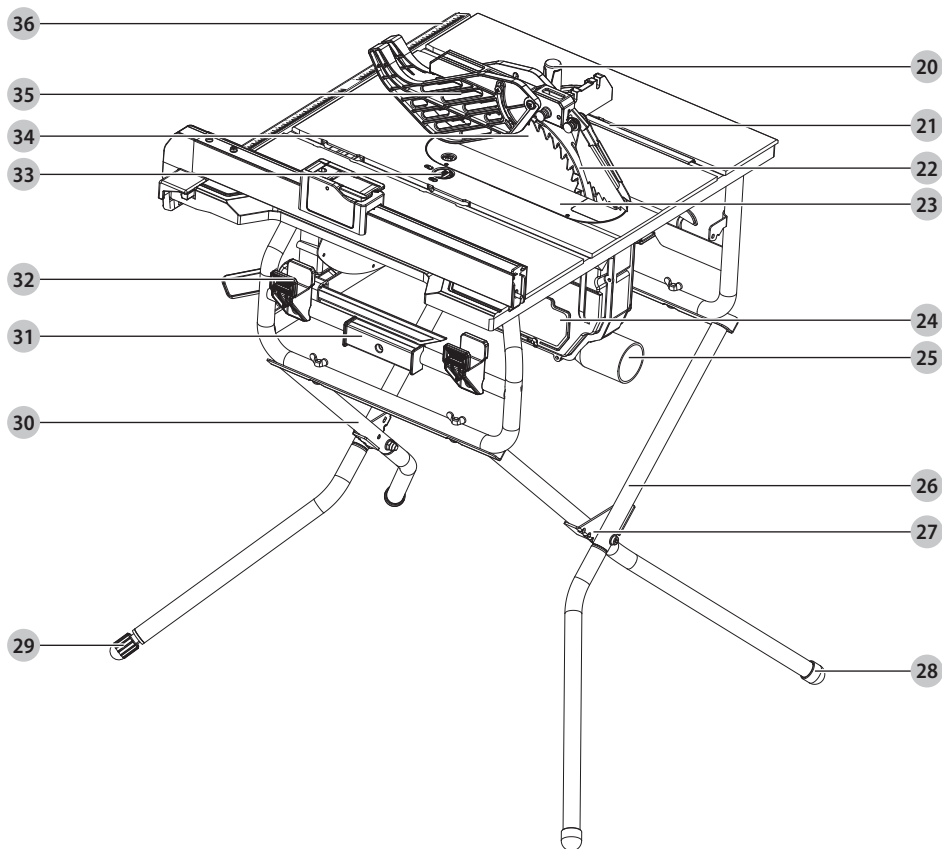
-  **DANGER:** Indicates an imminently hazardous situation which, if not avoided, **will** result in **death or serious injury**.
-  **WARNING:** Indicates a potentially hazardous situation which, if not avoided, **could** result in **death or serious injury**.
-  **CAUTION:** Indicates a potentially hazardous situation which, if not avoided, **may** result in **minor or moderate injury**.
-  (Used without word) Indicates a safety related message.
- NOTICE:** Indicates a practice **not related to personal injury** which, if not avoided, **may** result in **property damage**.

Fig. 1





Components

- | | | |
|------------------------------------|--------------------------------|------------------------------------|
| 1 Locking knob (for sub fence) | 13 Blade wrench storage | 25 Dust chute |
| 2 Sub fence assembly | 14 Blade wrench | 26 Outer upper leg |
| 3 Rip fence locking handle | 15 Miter gauge storage | 27 Back angle plate |
| 4 Bevel scale | 16 Anti-kickback pawls storage | 28 Foot |
| 5 Push stick | 17 Miter gauge | 29 Leveling foot |
| 6 Height/bevel adjusting handwheel | 18 Working table | 30 Inner upper leg |
| 7 Height adjusting handle | 19 Anti-kickback pawls | 31 Sub fence assembly storage |
| 8 Bevel locking lever | 20 Miter gauge locking knob | 32 Rip fence storage |
| 9 Lower leg | 21 Miter gauge groove | 33 Locking knob (for table insert) |
| 10 On/Off switch | 22 Riving knife | 34 Saw blade |
| 11 Overload reset switch | 23 Table insert | 35 Blade guard |
| 12 Blade guard storage | 24 Small baffle | 36 Scale |

⚠ WARNING: Read all safety warnings and all instructions. Failure to follow the warnings and instructions may result in electric shock, fire and/or serious injury.

⚠ WARNING: Never modify the product or any part of it. Damage or personal injury could result.

📖 WARNING: To reduce the risk of injury, read the instruction manual.

If you have any questions or comments about this or any product, call CRAFTSMAN toll free at: 1-888-331-4569.