

Troubleshooting Guide

Problem	Possible Cause	Possible Solution
If the material does not feed properly	Check for dull knives.	Rotate or replace as necessary. Refer to <i>Changing the Planer Knives</i> section.
	Check for excess clogging in the dust shroud.	Refer to <i>Periodic Maintenance</i> and Figures P–R in the <i>Changing or Rotating the Planer Knives</i> section.
	Check for excess oil/debris/pitch on feed rollers.	Refer to <i>Periodic Maintenance</i> and <i>Cleaning</i> paragraphs under the <i>Maintenance</i> section.
	Check for excessively twisted, cupped or bowed material.	Refer to <i>Twisted, Cupped and Bowed Wood</i> paragraph in the <i>Basic Planing</i> section.
	Check for a broken drive belt.	Refer to <i>Replacing the Drive Belt</i> paragraph in the <i>Maintenance</i> section.
If the circuit breaker trips repeatedly	Dull knives	Dull knives can cause motor overloading, rotate or replace as necessary. Refer to <i>Changing the Planer Knives</i> section. NOTE: Circuit breaker overload is often the result of dull knives. If the circuit breaker on your planer trips, check the sharpness of your knives before attempting to reset the breaker in order to continue planing.
	The depth of cut is higher.	An overly aggressive cut could cause motor overloading. Refer to the <i>Depth Adjustment</i> paragraph in the <i>Assembly and Adjustments</i> section and <i>Material Removal Gauge</i> paragraph in the <i>Operation</i> section.
	The feed rate is higher.	Drop feed rate to 14 ft/min. A reduction in feed rate will reduce the load on the motor and prevent breaker trips.
If the unit does not run	Check to see if the unit is plugged in.	Ensure unit is plugged into the appropriate outlet, refer to the <i>General Safety Instructions</i> section.
	Check to see if the top cover is properly in place.	Refer to Figure P for proper location.
	Check to see if the dust shroud is properly in place.	Refer to <i>After Installing New Knives</i> .
	Check to see if the circuit breaker needs to be reset.	Refer to <i>Circuit Breaker Reset Button</i> paragraph under the <i>Maintenance</i> section.
	Check to see if the motor brushes are depleted.	Refer to <i>Brushes</i> paragraph under the <i>Maintenance</i> section.
If chips do not eject from the rear of the unit	Check for excess clogging in the dust shroud and fan..	Refer to <i>Periodic Maintenance</i> and <i>Chip Ejection Fan</i> paragraphs in the <i>Maintenance</i> section.
	Check to see if the dust shroud is properly in place.	Refer to <i>After Installing New Knives</i> .
If the branch (house/shop) circuit breaker trips repeatedly	Even under normal loading conditions, other electrical loads on the same branch circuit may cause the circuit breaker to trip.	Unplug or turn off other devices sharing the circuit with the planer OR use the planer on another branch circuit by itself.
	Dull knives	Dull knives can cause motor overloading, rotate or replace as necessary. Refer to <i>Changing the Planer Knives</i> section.
	The depth of cut is higher.	An overly aggressive cut could cause motor overloading. Refer to the <i>Depth Adjustment</i> paragraph in the <i>Assembly and Adjustments</i> section and <i>Material Removal Gauge</i> paragraph in the <i>Operation</i> section.
	The feed rate is higher.	Drop feed rate to 14 ft/min. A reduction in feed rate will reduce the load on the motor and prevent breaker trips.

Définitions : symboles et termes d'alarmes sécurité

Ces guides d'utilisation utilisent les symboles et termes d'alarmes sécurité suivants pour vous prévenir de situations dangereuses et de risques de dommages corporels ou matériels.



DANGER : indique une situation dangereuse imminente qui, si elle n'est pas évitée, **entraînera la mort ou des blessures graves**.



AVERTISSEMENT : indique une situation potentiellement dangereuse qui, si elle n'est pas évitée, **pourrait entraîner la mort ou des blessures graves**.



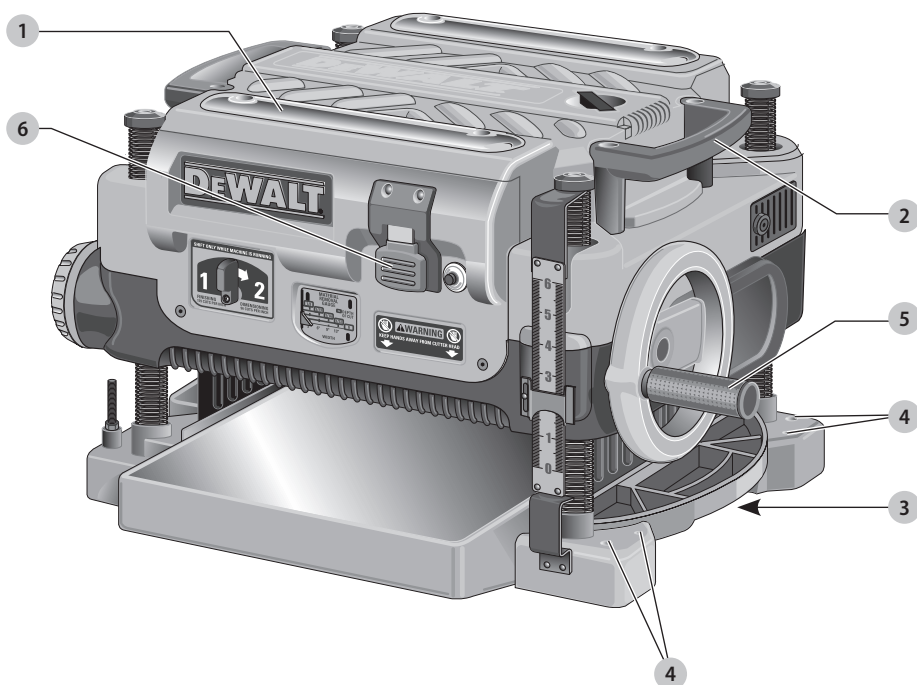
ATTENTION : indique une situation potentiellement dangereuse qui, si elle n'est pas évitée, **pourrait entraîner des blessures légères ou modérées**.



(Si utilisé sans aucun terme) Indique un message propre à la sécurité.

AVIS : indique une pratique ne posant **aucun risque de dommages corporels** mais qui par contre, si rien n'est fait pour l'éviter, **pourrait poser des risques de dommages matériels**.

Fig. A



- 1 Raboteuse
- 2 Poignées de transport latérales
- 3 Poignées de base
- 4 Trous d'installation sur l'établi
- 5 Manivelle
- 6 Bouton Marche/Arrêt



AVERTISSEMENT : lire tous les avertissements de sécurité et toutes les directives. Le non-respect des avertissements et des directives pourrait se solder par un choc électrique, un incendie et/ou une blessure grave.



AVERTISSEMENT : afin de réduire le risque de blessures, lire le mode d'emploi de l'outil.

Pour toute question ou remarque au sujet de cet outil ou de tout autre outil DEWALT, composez le numéro sans frais : 1-800-4-DEWALT (1-800-433-9258).