

DP3400 PRESSURE WASHER

- | | |
|---|-----------------------------|
| A. Handle assemble | I. Engine dipstick/oil plug |
| B. Frame | J. High-pressure pump |
| C. High-pressure hose | K. Engine |
| D. Spray gun | L. Choke control |
| E. Quick-connect spray wand | M. Starter grip |
| F. Panel assembly | N. Fuel valve lever |
| G. Nozzle holder | O. Engine switch |
| H. High-pressure pump dipstick/oil plug | P. Gas cap |
| | Q. Throttle control lever |

ENGINE

Refer to the engine instruction manual for location and operation of other engine controls.

Pump Specifications

GENERAL TX1508

Oil: Use DP70

Oil Capacity: 14 oz. (414 ml)

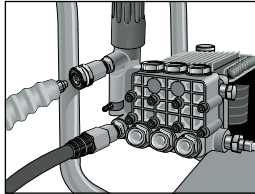
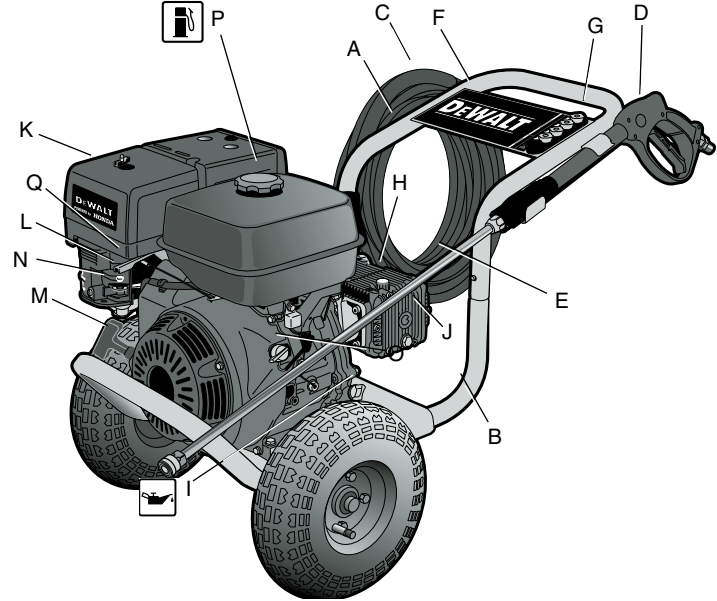


FIG. 1



Specifications

MODEL	WEIGHT	HEIGHT	WIDTH	LENGTH	PSI MAX*	OPERATING PSI	GPM MAX*	OPERATING GPM	ENGINE
DP3400	114 lbs (51.7 kg)	29" (73.7 cm)	24" (61.0 cm)	40" (101.6 cm)	3400 (23443 kPa)	3060 (21099 kPa)	3.2	2.9	Honda 9 Hp GX370

* Water flow and maximum pressure ratings determined in accordance with PWMA standard PW101.