

Functional Description and Specifications

⚠ WARNING Disconnect the plug from the power source before making any assembly, adjustments or changing accessories. Such preventive safety measures reduce the risk of starting the tool accidentally.

Demolition Hammer

FIG. 1

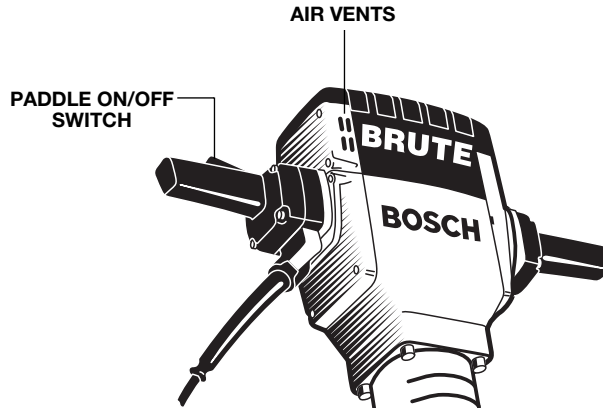


FIG. 2

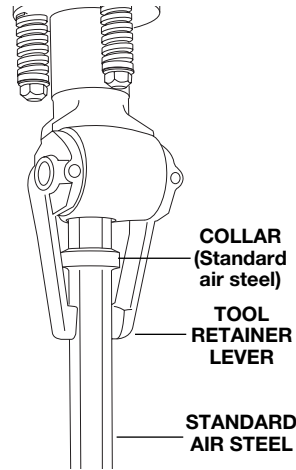
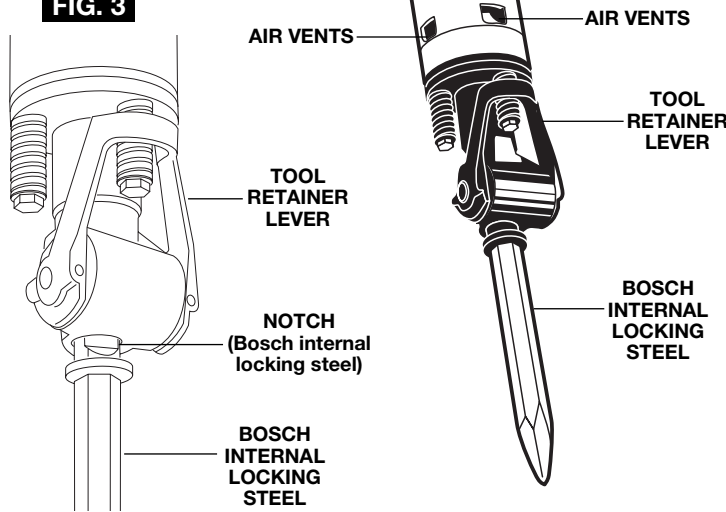


FIG. 3



Model number	11304
Voltage rating	120 V ~ 50 - 60Hz
Amperage rating	15.0 A
No load speed	n_0 1,340/min
Shank style	Standard 1-1/8" hex, air tool steel or Bosch internal locking steel.