

Kits to Improve Quality of Cut

This section describes special kits developed to help resolve various quality of cut issues.

Toro Recycler Mulch Plug

Model 59134 fits Toro 21-inch Recycler Steel Decks
Model 59135 fits Toro 21-inch Super Recycler Cast Aluminum Decks

These plugs smooth the surface under the deck while adding an additional deflector. They fit in the bagging chute and prevent grass accumulation in that space.

Washout Port Kit P/N 95-3282

This kit (Figure 76) allows an operator to attach a garden hose to the deck and circulate water under the deck by engaging the blade while the water is running. This prevents grass buildup under the deck.

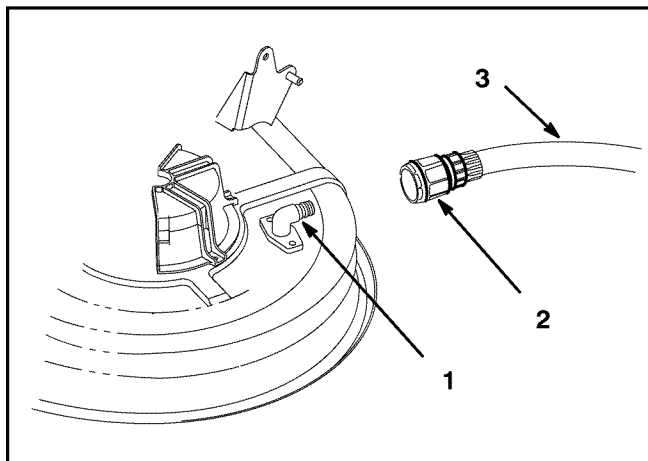


Figure 76

washout.TIF

1. Washout fitting
2. Coupling
3. Hose

If the underside of the deck is not cleaned after mowing, the accumulated grass can dry out and bond to the deck. Once this happens, the hard material must be scraped from under the deck. This often removes the protective paint from under the deck.

With a washout port kit, it is easy to hook up a garden hose and clean the cutting chamber after each use. Many models currently have this kit factory installed. However, it can be used on most models by finding a place where the water can run into the cutting chamber and not hit a kicker or other object.

Cast Deck Height of Cut Notch Repair Kits

P/N 105-1290 (Figure 77) fits 21-inch (35cm) Super Recyclers built 1995 and newer.

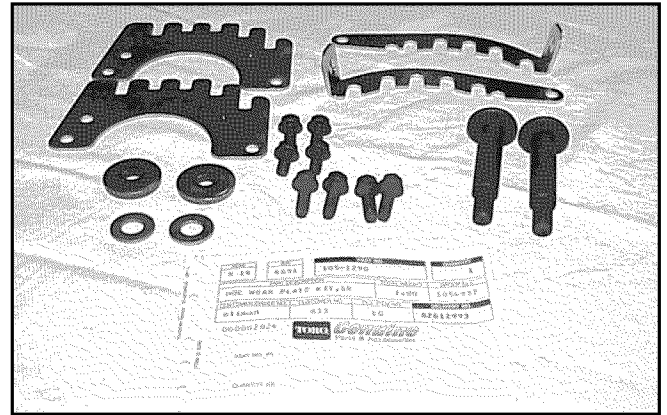


Figure 77

mvc-460.tif

P/N 49-4080 (Figure 78) fits 21-inch (35cm) Rear baggers and Recyclers 1978 through 1994.

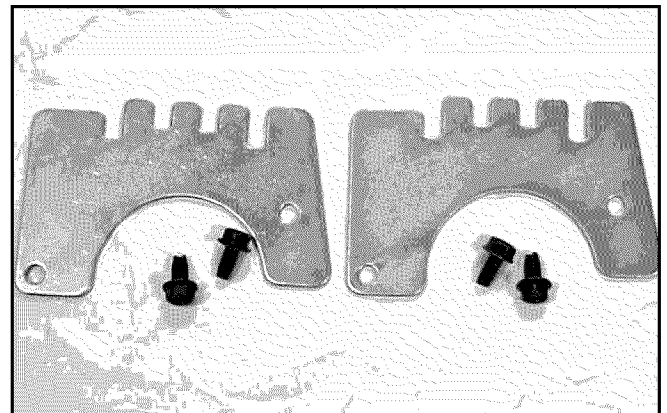


Figure 78

2001-065.TIF

These kits are used to repair cast decks with worn height of cut notches. The kits allow the operator to avoid replacing the deck.

Note: These kits do not fit Vacu-Power, Landscaper, or commercial walk behind mowers.

Kits to Improve Quality of Cut

Anti-scalping Roller Kit P/N 93-3898

Used on Toro Wheel Horse XL series 38-inch decks, this kit adds rollers to the deck to help avoid scalping on uneven lawns. Rollers are standard on European models.

Level Assist Kit P/N 94-9780

This kit can be used on 260 Series Lawn and Garden tractors to help keep the mower deck level when using a vac-bagger attachment. (Standard on 2001 and later vac-baggers.)

Level Assist Kit P/N 94-1592

This kit can be used on garden tractor mowers to help keep the mower deck level when a vac-bagger attachment is used. (Standard on 1997 and later vac-baggers.)

Baffle Kits

Baffle kits are available for some mowers. These are designed to help reduce the tendency to blow leaves and dry grass out the front of the mower. If a mower has Recycler baffles and kickers, try to resolve the blowout problem by removing these prior to purchasing and installing a baffle kit. Baffle kits work by deflecting airflow when mowing or bagging leaves.

Baffle Kits/Applications

Kit Number	Mower Application
85501	42-inch (3 blade) Side Discharge Mowers
105-6979	44-inch (3 blade) Side Discharge Mowers (Recycler Baffles must be removed)
68-7210	52-inch Side Discharge Mowers