



Count on it.

Parts Catalog

TimeMaster 30in

Lawn Mower

Model No. 21199—Serial No. 412415085 and Up



Ordering Replacement Parts

To order replacement parts, please supply the part number, the quantity, and the description of each part desired.

Understanding Reference Numbers

Each identified part in an illustration has a reference number. The reference number for a part also appears in the parts list, along with other information about the part.

This catalog uses two special reference number formats, one to indicate parts in a service assembly and another to indicate the quantity of a given part in an illustration.

Service Assembly Reference Numbers

Parts in service assemblies have reference numbers in the form a:b. The a represents the reference number of the entire service assembly and the b represents a sequential number unique to each part within the service assembly.

For example, a wheel assembly might be identified by reference number 6, the tire by 6:1, the valve by 6:2, and the wheel by 6:3. When you order the assembly identified by reference number 6, you receive all parts identified by reference numbers 6:1, 6:2, and 6:3. However, you may also order any part individually. Reference numbers of this type appear in illustration and in parts lists.

Reference Numbers Indicating Quantity

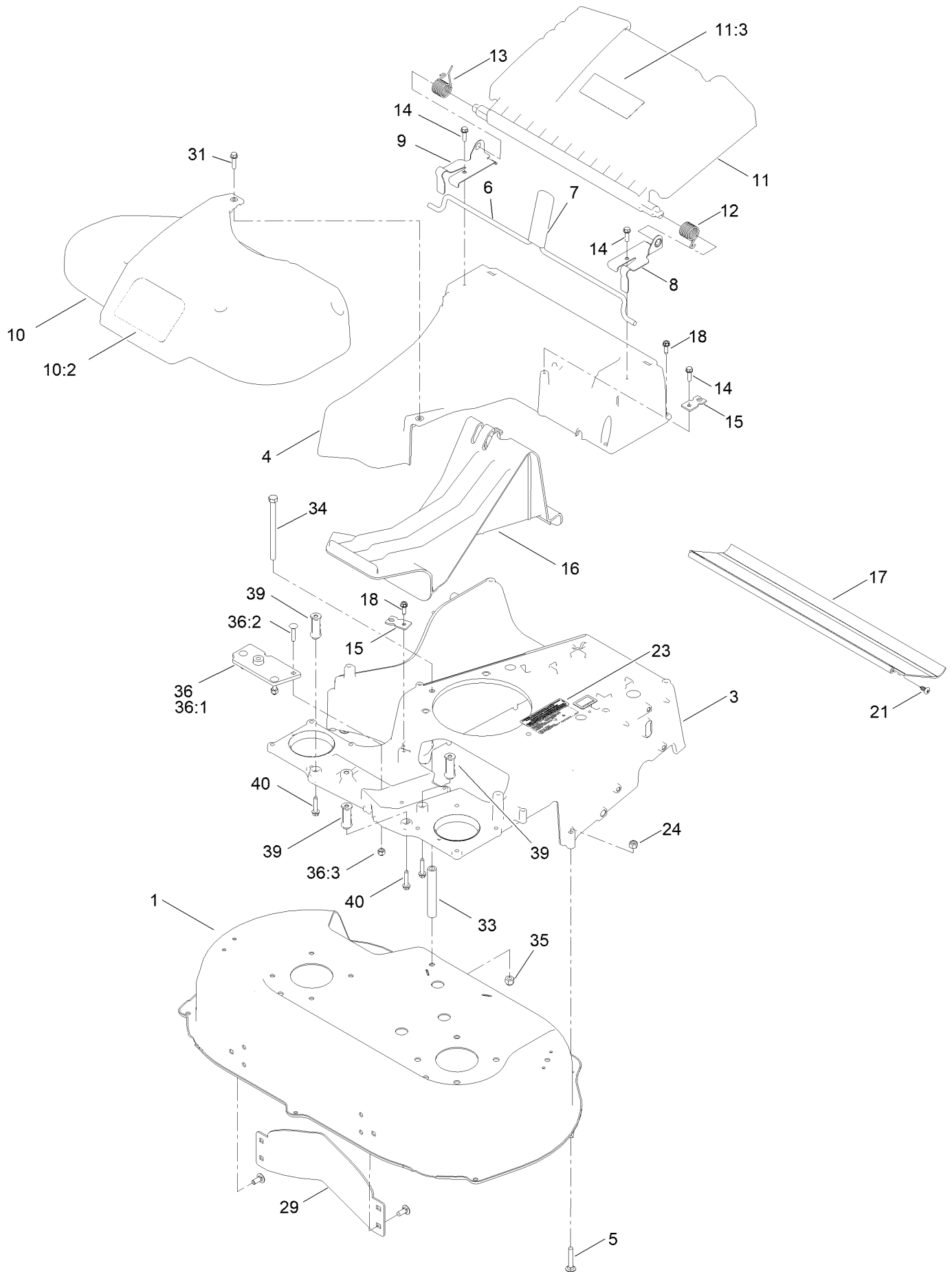
In an illustration, if a reference number indicates more than one part, the reference number has the form nX y. The n represents the quantity of the part, the X is the multiplication symbol, and the y represents the reference number.

For example, in an illustration, the reference number 2X 37 means that two of the parts identified by reference number 37 are indicated.

Contents

| | |
|--|----|
| Housing Assembly | 4 |
| Spindle and Belt Assembly | 6 |
| Side Discharge Chute Assembly | 8 |
| Bag Assembly | 10 |
| Engine and Belt Assembly | 12 |
| Front Wheel and Height-of-Cut Assembly | 14 |
| Rear Wheel and Height-of-Cut Assembly | 16 |
| Handle and Electrical Assembly | 18 |
| Attachments and Accessories | 20 |

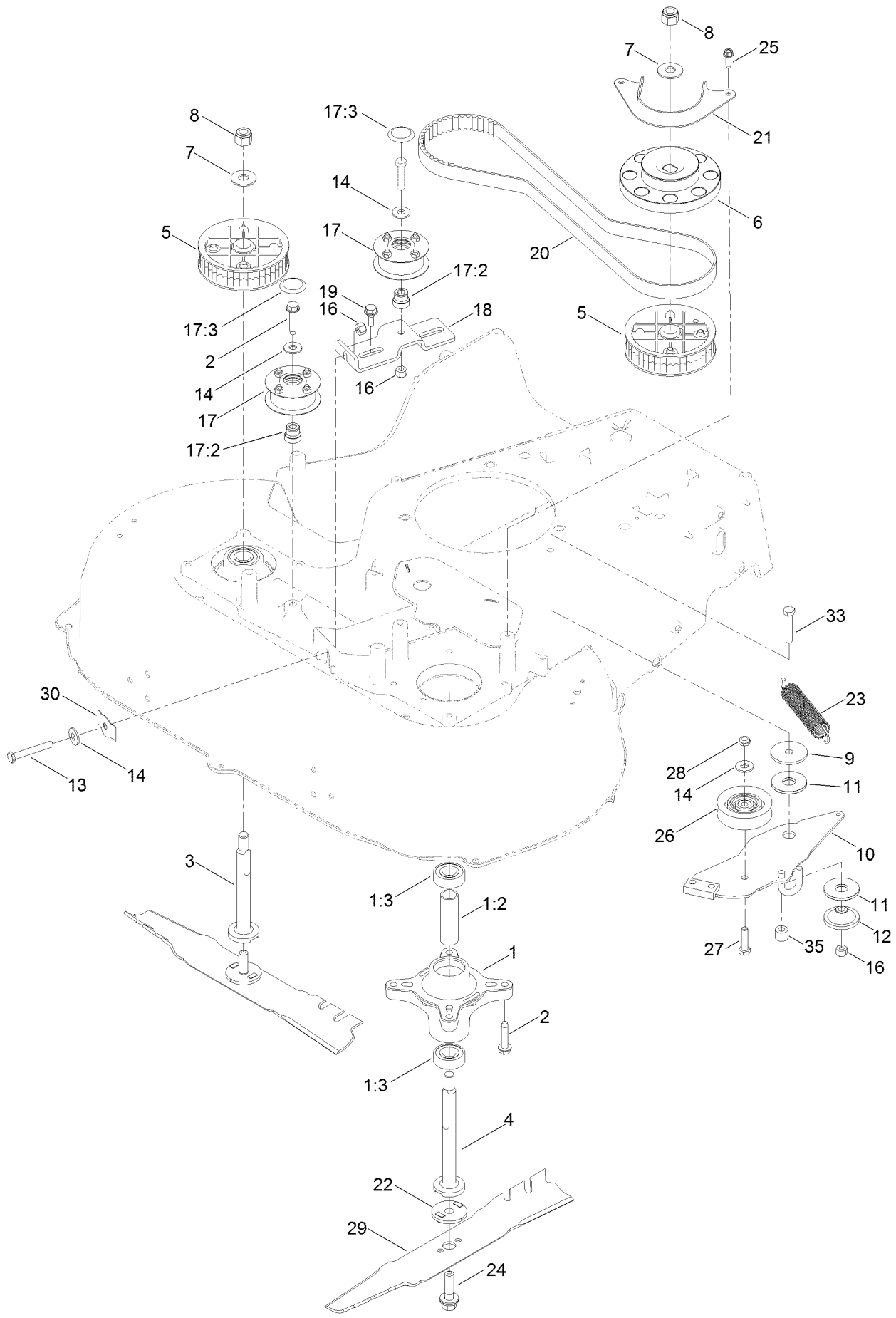
Housing Assembly



Housing Assembly (continued)

| <i>Ref.</i> | <i>Part Number</i> | <i>Qty.</i> | <i>Description</i> | <i>Ref.</i> | <i>Part Number</i> | <i>Qty.</i> | <i>Description</i> |
|-------------|--------------------|-------------|-------------------------|-------------|--------------------|-------------|-----------------------|
| 1 | 136-5873 | 1 | Housing ASM | 17 | 120-6241 | 1 | Shield-Trailing |
| 3 | 140-3977-01 | 1 | Frame-30" | 18 | 49-2040 | 8 | Screw-HWHTF |
| 4 | 133-8177 | 1 | Chute | 21 | 117-1092 | 2 | Screw-PTH |
| 5 | 3230-5 | 2 | Bolt-CARR | 23 | 133-8062 | 1 | Decal-Arrestor, Spark |
| 6 | 139-5415 | 1 | Rod-Release, Handle | 24 | 3296-29 | 2 | Nut-Lock, NI |
| 7 | 120-7018 | 1 | Grip-Lever | 29 | 130-2352-01 | 1 | Baffle-Control |
| 8 | 121-9114 | 1 | Bracket-Door, LH | 31 | 32144-86 | 1 | Screw-HWHTF |
| 9 | 121-9115 | 1 | Bracket-Door, RH | 33 | 1-323283 | 1 | Spacer-Shield |
| 10 | 139-5408 | 1 | Belt Cover ASM | 34 | 139-5409 | 1 | Screw-HH |
| 10:2 | 121-2391 | 1 | Decal-Cover, Belt | 35 | 137-3087 | 1 | Nut-Hex |
| 11 | 120-7048 | 1 | Rear Deflector ASM | 36 | 125-5072 | 1 | Frame Plate Kit |
| 11:3 | 131-4514 | 1 | Decal-Warning | 36:1 | 125-2542 | 1 | Plate-Frame |
| 12 | 115-2859 | 1 | Spring-Torsion | 36:2 | 3229-3 | 3 | Screw-CARR |
| 13 | 114-7924 | 1 | Spring-Torsion | 36:3 | 3296-42 | 3 | Nut-Lock, NI |
| 14 | 46-8091 | 3 | Screw-HWH | 39 | 140-3901 | 3 | Spacer-Frame, 30 In. |
| 15 | 138-3224 | 2 | Bracket-Cable, Traction | 40 | 108-4862 | 3 | Screw-HWH Thd Roll |
| 16 | 120-5225 | 1 | Plug-Mulch | | | | |

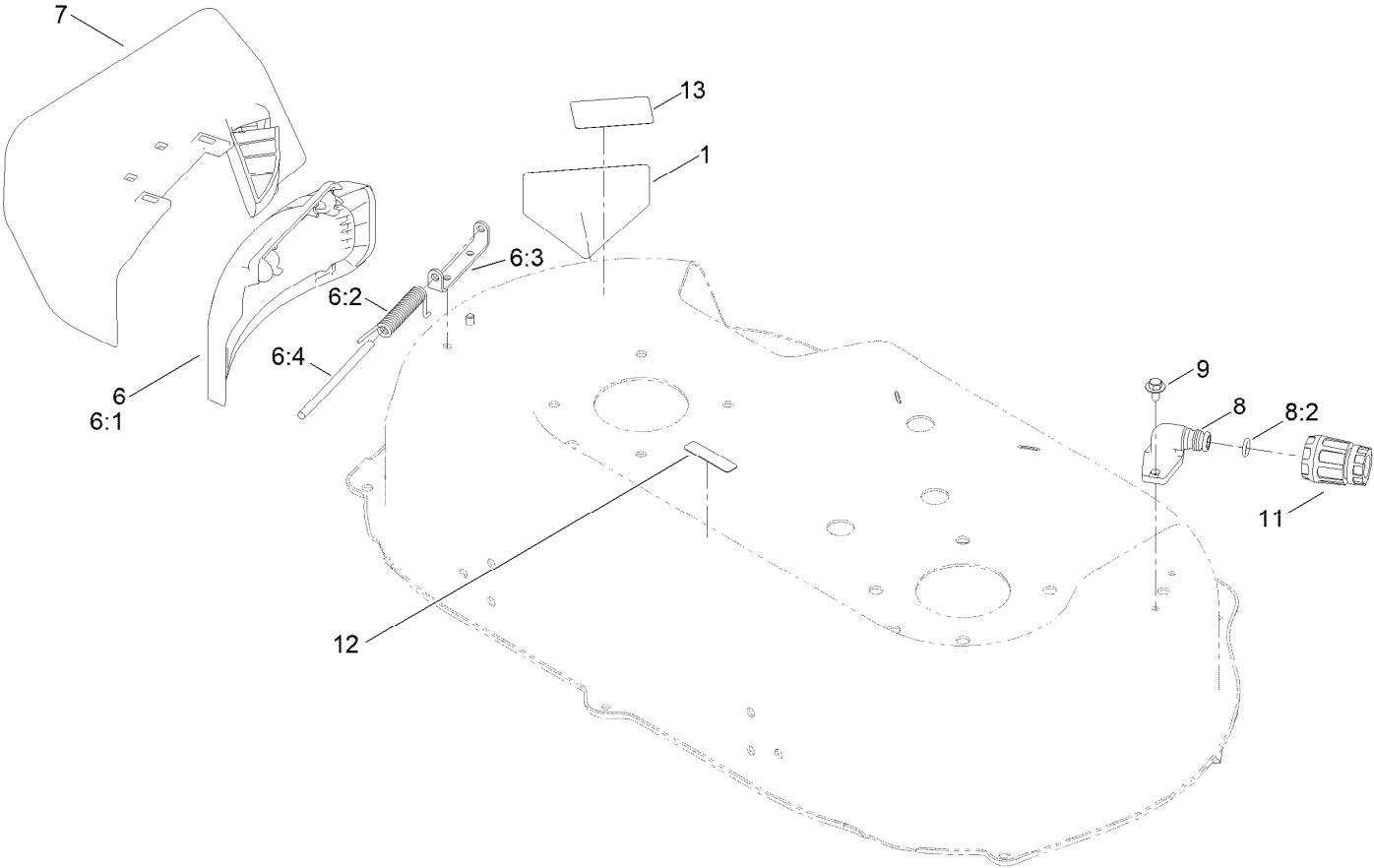
Spindle and Belt Assembly



Spindle and Belt Assembly (continued)

| <i>Ref.</i> | <i>Part Number</i> | <i>Qty.</i> | <i>Description</i> | <i>Ref.</i> | <i>Part Number</i> | <i>Qty.</i> | <i>Description</i> |
|-------------|--------------------|-------------|----------------------------|-------------|--------------------|-------------|-------------------------|
| 1 | 121-9107 | 2 | Spindle ASM | 17:2 | 131-4504 | 1 | Adapter-Bore |
| 1:2 | 120-7935 | 2 | Spacer | 17:3 | 125-2533 | 1 | Plug-Cap |
| 1:3 | 136-5441 | 2 | Bearing-Ball | 18 | 138-3232 | 1 | Bracket-Idler |
| 2 | 139-1731 | 9 | Screw-Thd Roll, HWH | 19 | 120-7024 | 2 | Screw-Shoulder, HWH |
| 3 | 139-6612 | 1 | Shaft-Spindle | 20 | 120-3335 | 1 | Belt-Synchronous |
| 4 | 139-6613 | 1 | Shaft-Spindle | 21 | 120-5245-03 | 1 | Guide-Belt, Spindle |
| 5 | 121-9100 | 2 | Sprocket | 22 | 120-5236 | 2 | Adapter-Blade |
| 6 | 130-6664 | 1 | Pulley-Brake, Spindle | 23 | 121-5808 | 1 | Spring-Extension, Brake |
| 7 | 109-9505 | 2 | Washer-Spring | 24 | 125-2466 | 2 | Bolt-Blade |
| 8 | 3296-19 | 2 | Nut-Hex | 25 | 49-2040 | 2 | Screw-HWHTF |
| 9 | 63-7400 | 1 | Washer-Rebound | 26 | 120-7082 | 1 | Pulley-Idler |
| 10 | 133-8102 | 1 | Brake Arm ASM | 27 | 322-6 | 1 | Screw-HH |
| 11 | 121-2305 | 2 | Washer-Friction, Composite | 28 | 3296-47 | 1 | Nut-Lock,NI |
| 12 | 138-3244 | 1 | Spacer | 29 | 116-6358-03 | 2 | Blade-Rotary |
| 13 | 9114524 | 1 | Bolt-TAP, HH | 30 | 121-2336 | 1 | Spring-Flat |
| 14 | 139-1723 | 4 | Washer-Flat | 33 | 322-9 | 1 | Screw-HH |
| 16 | 3296-29 | 3 | Nut-Lock, NI | 35 | 133-1964 | 1 | Spacer |
| 17 | 131-4529 | 2 | Pulley Kit | | | | |

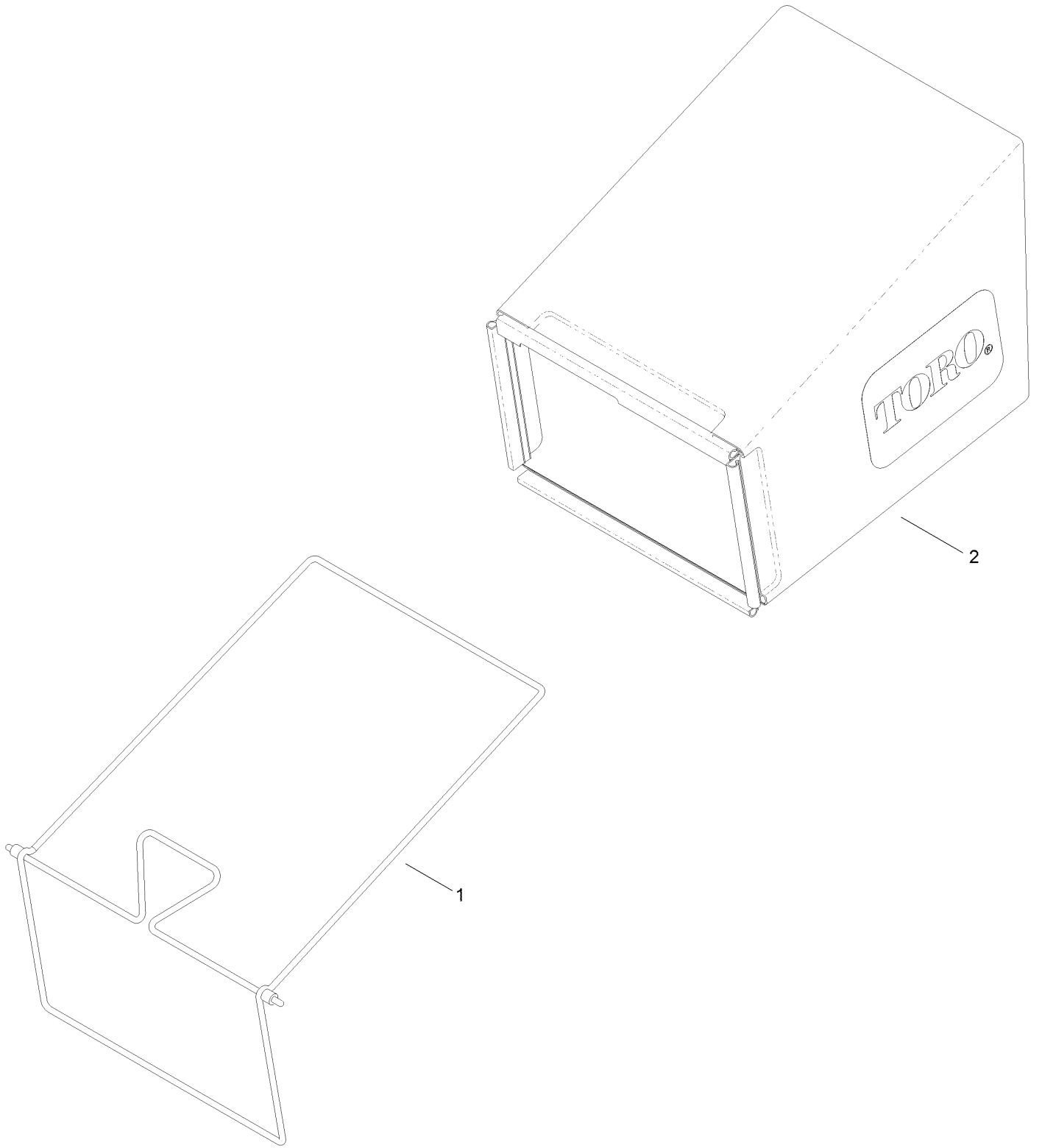
Side Discharge Chute Assembly



Side Discharge Chute Assembly (continued)

| <i>Ref.</i> | <i>Part Number</i> | <i>Qty.</i> | <i>Description</i> | <i>Ref.</i> | <i>Part Number</i> | <i>Qty.</i> | <i>Description</i> |
|-------------|--------------------|-------------|----------------------------|-------------|--------------------|-------------|-----------------------|
| 1 | 94-8072 | 1 | Decal-Danger | 8 | 133-9289 | 1 | Fitting-Washout |
| 6 | 133-2630 | 1 | Side Deflector Service ASM | 8:2 | 133-9290 | 1 | O-Ring |
| 6:1 | 125-5091 | 1 | Deflector-Side | 9 | 139-1700 | 2 | Screw-HWH, Thd Roll |
| 6:2 | 127-0721 | 1 | Spring-Torsion, Cover | 11 | 95-3270 | 1 | Connector-Hose |
| 6:3 | 112-6416 | 1 | Bracket-Cover | 12 | 120-9570 | 1 | Decal-Warning |
| 6:4 | 99-5291 | 1 | Rod-Cover | 13 | 125-5092 | 1 | Decal-Placement, Foot |
| 7 | 121-2319 | 1 | Chute-Discharge, Side | | | | |

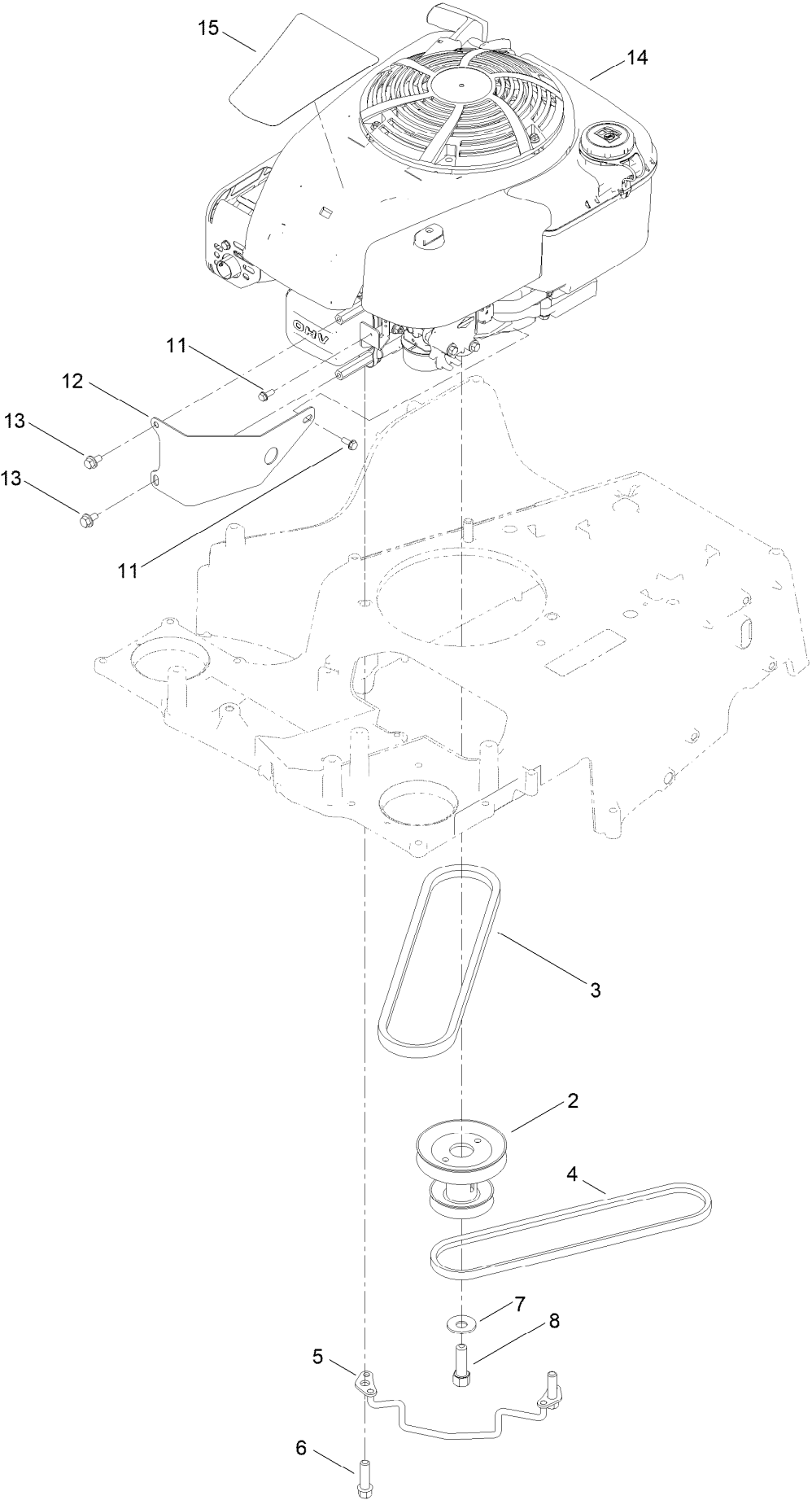
Bag Assembly



Bag Assembly (continued)

| <i>Ref.</i> | <i>Part Number</i> | <i>Qty.</i> | <i>Description</i> |
|-------------|--------------------|-------------|--------------------|
| 1 | 121-5766-03 | 1 | Frame-Bag |
| 2 | 121-5770 | 1 | Bag-Grass |

Engine and Belt Assembly

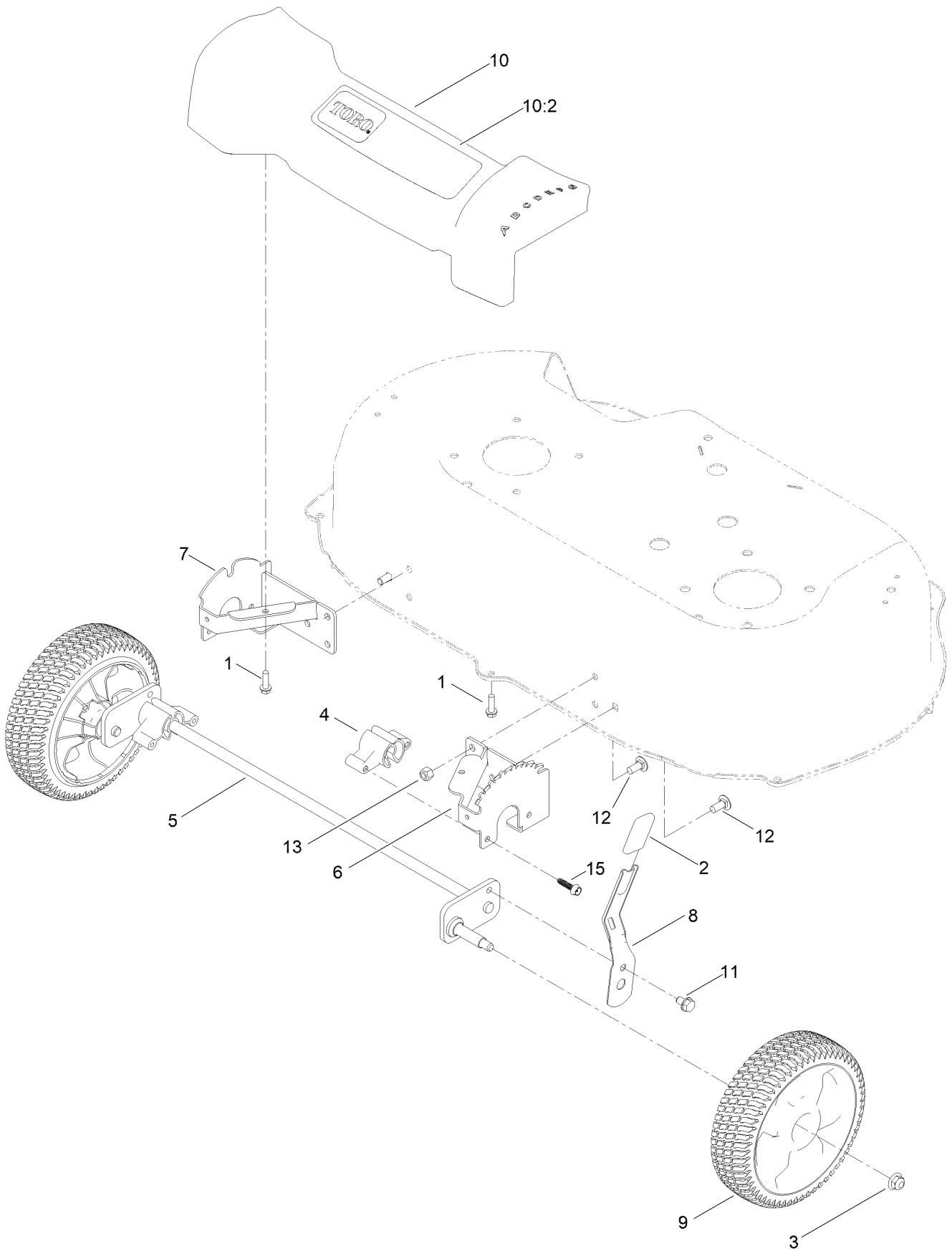


Engine and Belt Assembly (continued)

| <i>Ref.</i> | <i>Part Number</i> | <i>Qty.</i> | <i>Description</i> | <i>Ref.</i> | <i>Part Number</i> | <i>Qty.</i> | <i>Description</i> |
|-------------|--------------------|-------------|--------------------|-------------|--------------------|-------------|----------------------------------|
| 2 | 137-9176 | 1 | Pulley-Engine | 11 | 32144-1 | 2 | Screw-Taptite |
| 3 | 121-5765 | 1 | V-Belt | 12 | 131-0889-03 | 1 | Guard-Engine |
| 4 | 120-9470 | 1 | V-Belt, Traction | 13 | 126-2713 | 2 | Screw-HHF |
| 5 | 139-1734 | 1 | Guide-Belt, Wa | 14 | | 1 | Engine-Briggs, 14D9320110F1 ● |
| 6 | 95-1727 | 3 | Screw-Taptite | 15 | 133-8113 | 1 | Decal-Shroud |
| 7 | 3290-465 | 1 | Washer-Belleville | | | | |
| 8 | 26-0671 | 1 | Screw-HH | | | | |

● Not serviced separately

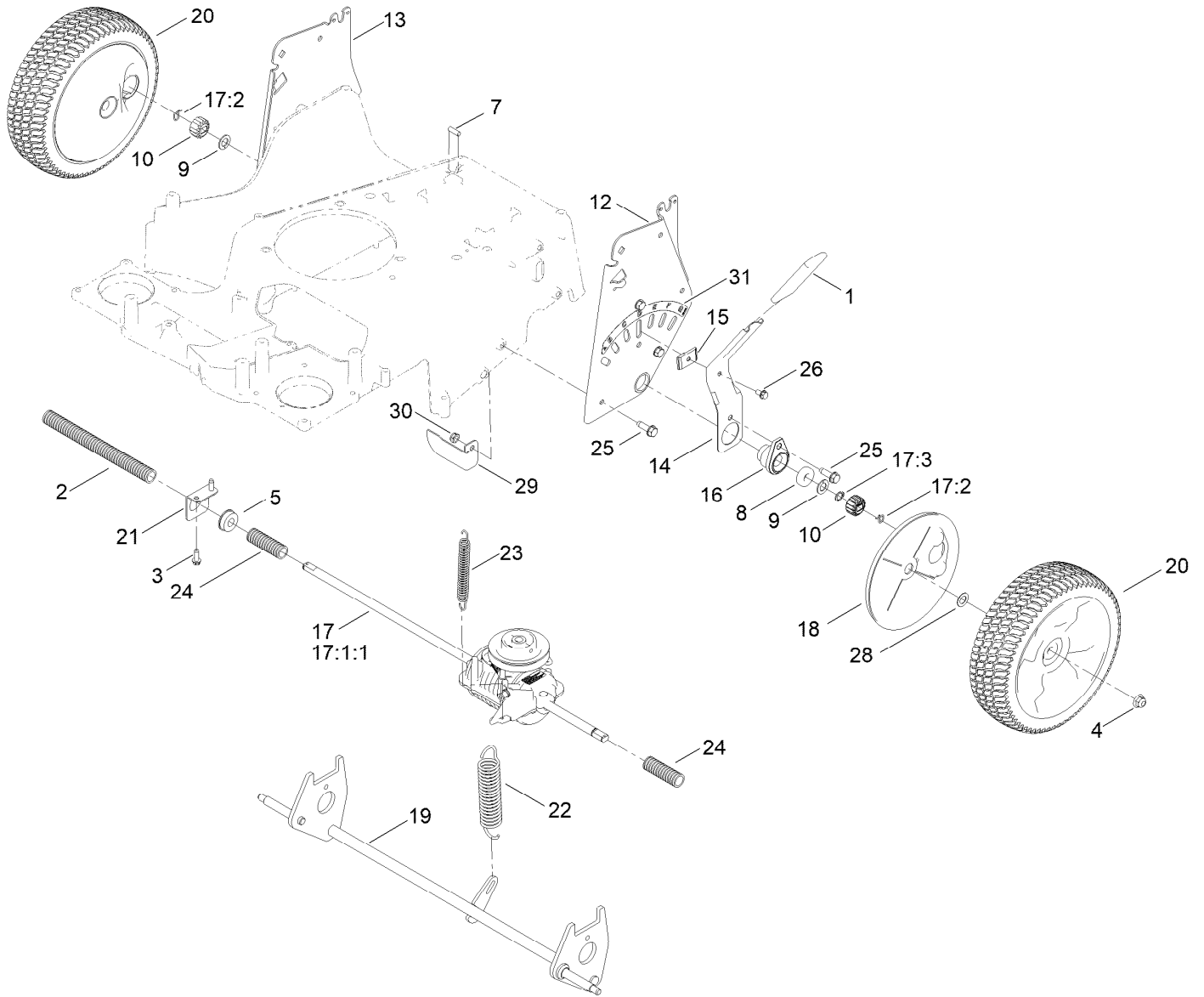
Front Wheel and Height-of-Cut Assembly



Front Wheel and Height-of-Cut Assembly (continued)

| <i>Ref.</i> | <i>Part Number</i> | <i>Qty.</i> | <i>Description</i> | <i>Ref.</i> | <i>Part Number</i> | <i>Qty.</i> | <i>Description</i> |
|-------------|--------------------|-------------|----------------------|-------------|--------------------|-------------|-----------------------|
| 1 | 46-8091 | 3 | Screw-HWH | 9 | 125-2510 | 2 | 8 Inch Wheel ASM |
| 2 | 120-9535 | 1 | Grip-Lever | 10 | 125-5027 | 1 | Front Cover ASM |
| 3 | 119-4042 | 2 | Nut-HF, NI | 10:2 | 121-2392 | 1 | Decal-Cover, Front |
| 4 | 136-5875 | 2 | Bushing-Pivot, Front | 11 | 700057 | 1 | Screw-HWH |
| 5 | 139-1753 | 1 | Front Axle ASM | 12 | 3230-23 | 6 | Bolt-CARR |
| 6 | 120-7037-03 | 1 | Plate-HOC, LH | 13 | 3296-29 | 6 | Nut-Lock, NI |
| 7 | 120-7038-03 | 1 | Plate-HOC, RH | 15 | 130-6658 | 4 | Screw-Flange, Plastic |
| 8 | 120-7043 | 1 | Arm-Spring | | | | |

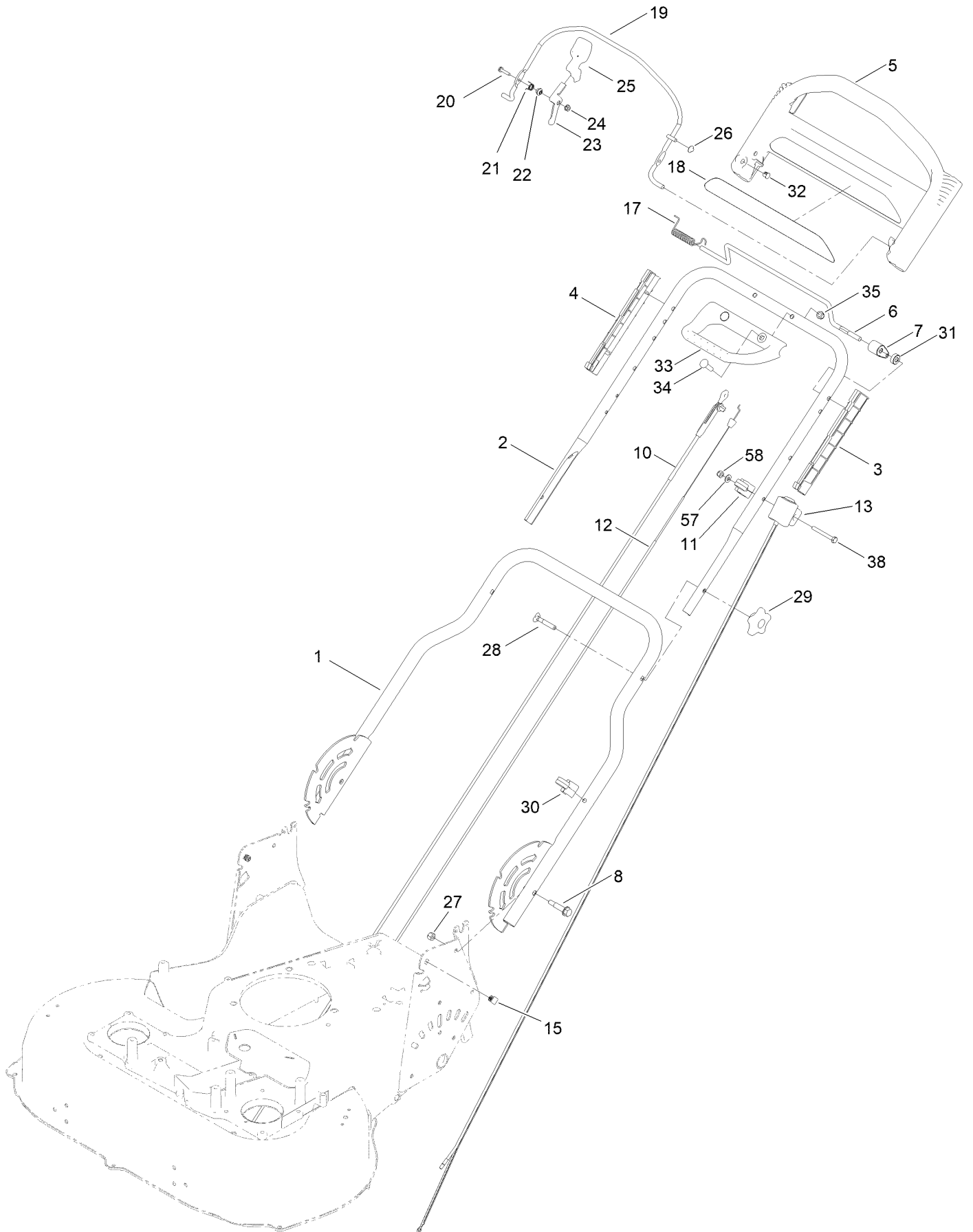
Rear Wheel and Height-of-Cut Assembly



Rear Wheel and Height-of-Cut Assembly (continued)

| <i>Ref.</i> | <i>Part Number</i> | <i>Qty.</i> | <i>Description</i> | <i>Ref.</i> | <i>Part Number</i> | <i>Qty.</i> | <i>Description</i> |
|-------------|--------------------|-------------|-------------------------|-------------|--------------------|-------------|------------------------|
| 1 | 137-4796 | 1 | Grip-Lever, Lift | 17:2 | 130-2369 | 2 | Pin-Snap |
| 2 | 121-5799 | 1 | Conduit-Convoluted | 17:3 | 32151-61 | 1 | Ring-Retaining |
| 3 | 49-2040 | 2 | Screw-HWHTF | 18 | 120-6233 | 2 | Cover-Gear |
| 4 | 119-4042 | 2 | Nut-HF, NI | 19 | 139-1747 | 1 | Rear Axle ASM |
| 5 | 104-8699 | 1 | Bearing-Ball | 20 | 125-2509 | 2 | 10 Inch Wheel Gear ASM |
| 7 | 106-5681 | 1 | Pin-Stop | 21 | 138-3233 | 1 | Mount-Bearing |
| 8 | 133-2603 | 2 | Bearing-Ball | 22 | 120-7026 | 1 | Spring-Extension |
| 9 | 110-7191 | 2 | Washer-Thrust | 23 | 120-7027 | 1 | Spring-Extension |
| 10 | 131-5399 | 2 | Gear-Pinion, 15T | 24 | 121-5800 | 2 | Conduit-Convoluted |
| 12 | 120-3342-03 | 1 | Plate-HOC, LH | 25 | 701243 | 8 | Screw-Thd Roll, HWH |
| 13 | 120-3343-03 | 1 | Plate-HOC, RH | 26 | 32144-4 | 1 | Screw-HWH |
| 14 | 137-9124 | 1 | Arm-Spring | 28 | 36-4780 | 2 | Washer-Plain |
| 15 | 120-5209 | 1 | Key-Arm, Spring | 29 | 138-5338 | 1 | Bracket-Stop |
| 16 | 136-5929 | 2 | Retainer-Bearing | 30 | 3296-47 | 1 | Nut-Lock,NI |
| 17 | 131-9665 | 1 | Transmission Kit | 31 | 125-2497 | 1 | Decal-HOC, Rear |
| 17:1:1 | 130-2370 | 1 | Transmission Pulley Kit | | | | |

Handle and Electrical Assembly



Handle and Electrical Assembly (continued)

| <i>Ref.</i> | <i>Part Number</i> | <i>Qty.</i> | <i>Description</i> | <i>Ref.</i> | <i>Part Number</i> | <i>Qty.</i> | <i>Description</i> |
|-------------|--------------------|-------------|-----------------------|-------------|--------------------|-------------|-------------------------|
| 1 | 120-5204-05 | 1 | Handle-Lower | 22 | 107-7463 | 1 | Spacer |
| 2 | 132-4484-05 | 1 | Handle-Upper | 23 | 138-3220 | 1 | Lever |
| 3 | 105-6842 | 1 | Guide-LH | 24 | 32128-17 | 1 | Nut-Lock, Flange |
| 4 | 105-6841 | 1 | Guide-RH | 25 | 112-8884 | 1 | Knob |
| 5 | 104-8678 | 1 | Handle-Control | 26 | 3290-337 | 1 | Nut-Speed |
| 6 | 136-7150 | 1 | Bar-Control, Traction | 27 | 3296-29 | 2 | Nut-Lock, NI |
| 7 | 127-6842 | 1 | Lever-Traction | 28 | 92-2260 | 2 | Screw-Handle |
| 8 | 120-7025 | 2 | Bolt-Shoulder, HHF | 29 | 117-5976 | 2 | Knob-Handle |
| 10 | 133-1998 | 1 | Cable-Brake | 30 | 114-7988 | 1 | Guide-Cable |
| 11 | 136-5864 | 1 | Anchor-Cable | 31 | 130-2343 | 1 | Spacer |
| 12 | 127-6867 | 1 | Cable-Traction | 32 | 104-9368 | 1 | Plug-Dome |
| 13 | 117-5975 | 1 | Switch Housing ASM | 33 | 131-0847 | 1 | Handle-Assist, Traction |
| 15 | 132-4516 | 2 | Plug-Square | 34 | 99-6005 | 2 | Bolt-Carriage |
| 17 | 136-7166 | 1 | Spring-Torsion | 35 | 137-4808 | 2 | Nut-Acorn |
| 18 | 117-1019 | 1 | Decal | 38 | 321-50 | 1 | Screw-HH |
| 19 | 108-3788-03 | 1 | Bail-Brake | 57 | 3256-1 | 1 | Washer-Flat |
| 20 | 106-9169 | 1 | Screw-HWH | 58 | 3296-73 | 1 | Nut-Lock, NI |
| 21 | 107-7462 | 1 | Spring-Torsion | 99 | 614249 | 2 | Tie-Cable ● |

● Not illustrated

Attachments and Accessories

For 21199 TimeMaster 30in Lawn Mower

| Product Name | Model/Part |
|--|-------------------|
| Fuel Stabilizer .05 oz | 130-2393 |
| 4-Cycle Fuel, Snow And Lawn 32oz Can | 131-3823 |
| Toro Premium Fuel Treatment 12 Oz Bottle | 131-6572 |
| Oil-30/10W-30 Synthetic (Quart)..... | 138-6053 |
| Hi-Lift Repl Blade Kit Timemaster | 20122P |
| Lawn Striping Kit with 30in Roller..... | 20602 |
| Toro 4-Cycle SAE 30 Oil (32oz Bottle) | 38903 |
| Summer Oil-Case of 24 (20oz Bottles)..... | 38916 |
| Bag-Walk Behind (Toro)..... | 490-7318 |
| Mower Cover | 490-7461 |

Notes:

Notes:

Notes:



Count on it.