



416XT Garden Tractor

Model No. 72200 - 240000001 and up.

Parts Catalog

Ordering Replacement Parts

To order replacement parts, please supply the part number, the quantity, and the description of each part desired.

Understanding Reference Numbers

Each Identified part in an illustration has a reference number. The reference number for a part also appears in the parts list, along with other information about the part.

This catalog uses two special reference number formats, one to indicate parts in a service assembly and another to indicate the quantity of a given part in an illustration.

Service Assembly Reference Numbers

Parts in service assemblies have reference numbers in the form a:b. The a represents the reference number of the entire service assembly and the b represents a sequential number unique to each part within the service assembly.

For example, a wheel assembly might be identified by reference number 6, the tire by 6:1, the valve by 6:2, and the wheel by 6:3. When you order the assembly identified by reference number 6, you receive all parts identified by reference numbers 6:1, 6:2, and 6:3. However, you may also order any part individually. Reference numbers of this type appear in illustrations and in part lists.

Reference Numbers Indicating Quantity

In an illustration, if a reference number indicates more than one part, the reference number has the form nX y. The n represents the quantity of the part, the X is the multiplication symbol, and the y represents the reference number.

For example, in an illustration, the reference number 2X 37 means that two of the parts identified by reference number 37 are indicated.

Contents

Description	Page	Description	Page
Hood and Grill Assembly 3	Crankshaft Assembly Kohler CV460S-26518 22
Hydro Drive Assembly 4	Crankcase Assembly Kohler CV460S-26518 23
Front Axle and Hitch Assembly 5	Oil Pan / Lubrication Assembly Kohler CV460S-26518 24
Engine, Muffler and PTO Assembly 6	Head / Valve / Breather Assembly Kohler VS460S-26518 25
Battery Assembly 7	Ignition / Electrical Assembly Kohler CV460S-26518 26
Fuel Tank Assembly 8	Blower Housing Assembly Kohler CV460S-26518 27
Lower Steering Wheel and Tilt Assembly 9	Starter Assembly Kohler CV460S-26518 28
Steering Wheel and Tilt Assembly 10	Fuel System Assembly Kohler Cv460S-26518 29
Hoodstand and Firewall Assembly 11	Engine Control Assembly Kohler CV460S-26518 30
Manual Lift Lever Assembly 12	Air Intake / Filtration Assembly Kohler CV460S-26518 31
Lift Assembly 13	Exhaust Assembly Kohler CV460S-26518 32
Brake Assembly 14		
Hydro Control Assembly 15		
Frame Assembly 16		
Hydro Transaxle Assembly 17		
Fender and Footrest Assembly 18		
Seat Assembly 19		
Dash Assembly 20		
Rear Wheel Assembly 21		

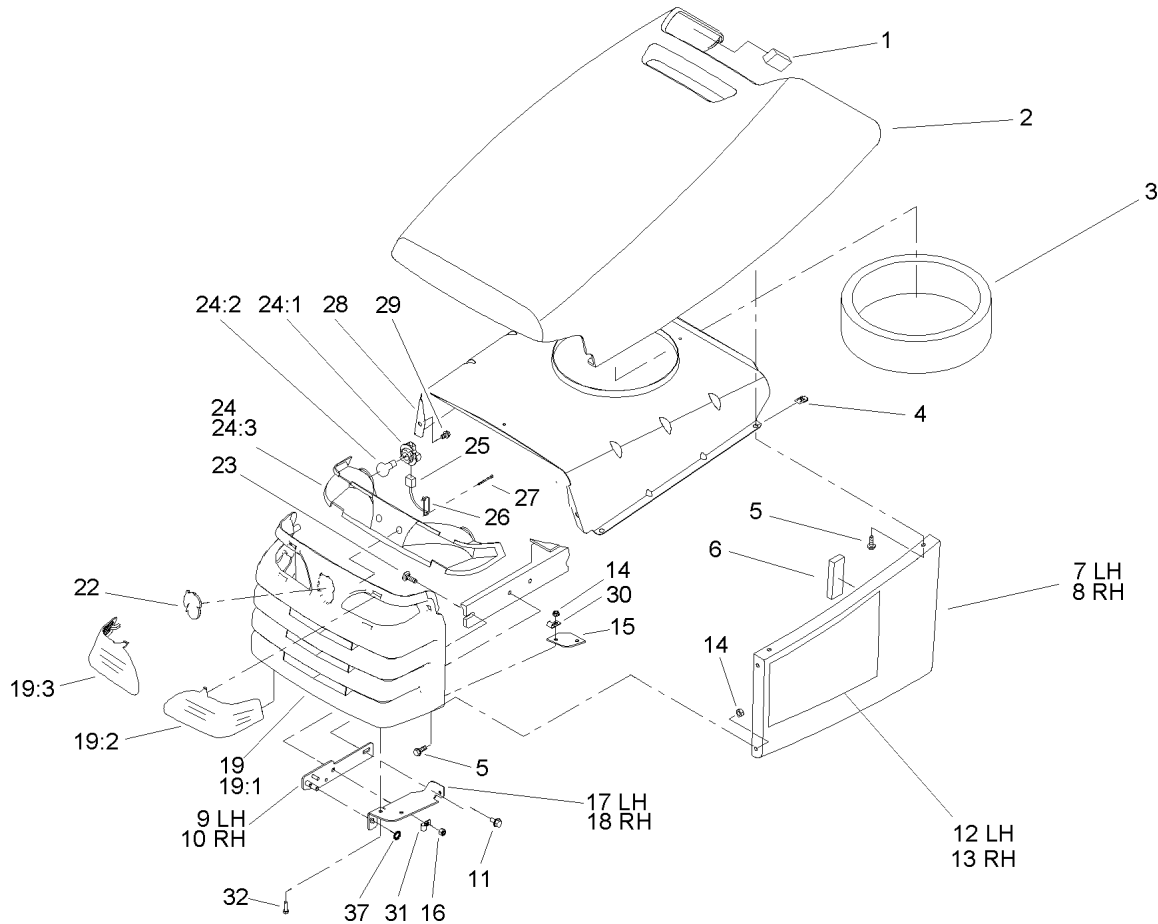
Part Description Abbreviations

Part descriptions in this catalog may include the following abbreviations.

AR. as required	INC. incorporated
ASM. assembly	LH. left hand
CARR. carriage	NI. nylon insert
DEG. degrees	PPH. phillips pan head
FH. flat head	PTH. phillips truss head
GA. gauge	PTO. power take off
HF. hex flange	RH. right hand
HH. hex head	SFH. slotted fillister head
HHF. hex head flange	SHH. slotted hex head
HHFTF. hex head flange thread forming	SHWH. slotted hex washer head
HJ. hex jam	SPH. slotted pan head
HLH. hex lag head	SQH. square head
HOC. height-of-cut	SRH. slotted round head
HS. hex	STD. standard
HSBH. hex socket button head	TAP. self tapping
HSFH. hex socket flat head	TTH. torx truss head
HSH. hex socket head	WH. wing head
HWH. hex washer head	
HWHTF. hex washer head thread forming	
HYD. hydraulic	

Footnotes

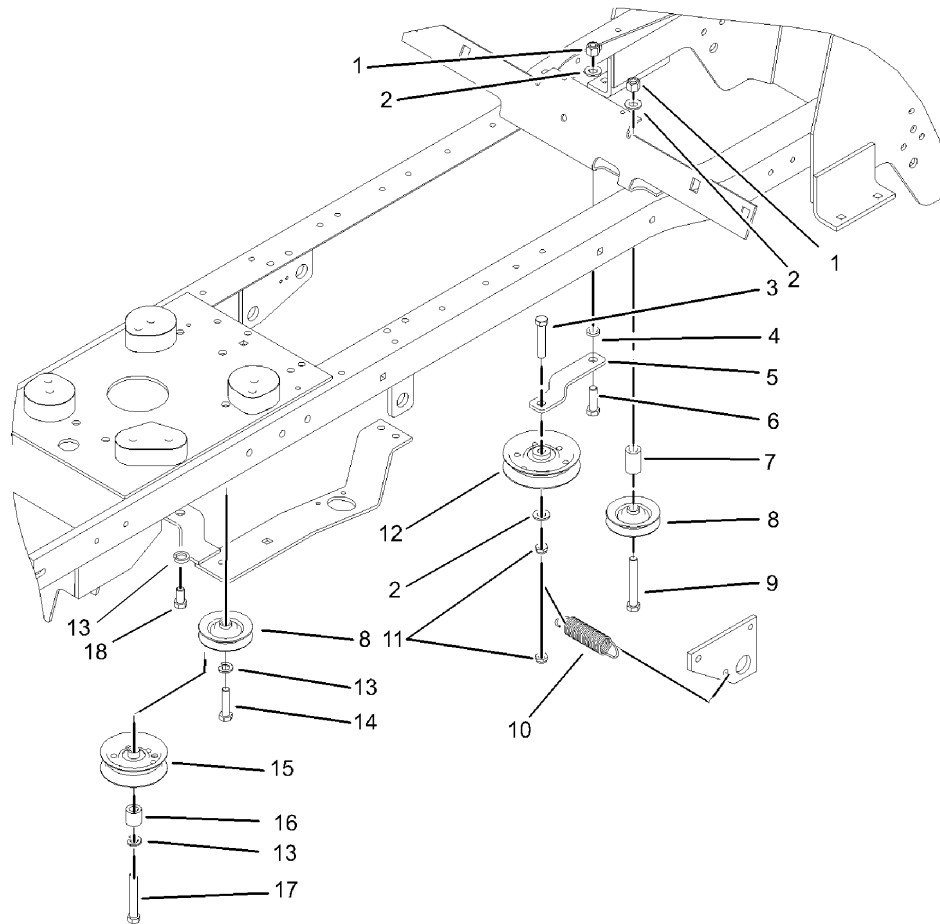
- | | |
|--|---|
| <ul style="list-style-type: none"> ❶ Not illustrated ❷ Obtain parts from your local Kohler dealer. | <ul style="list-style-type: none"> ❸ Not serviced separately |
|--|---|



Hood and Grill Assembly

Ref	Part No.	Qty.	Description
1	94-1980	2	Foam-Hood
2	93-0490	1	Hood ASM
3	92-7076	1	Seal-Air Inlet, Twin
4	92-7006	4	Nut
5	32105-15	8	Screw
6	92-7148	2	Foam-Sidepanel
7	93-0491	1	Hood-Side, LH
8	93-0492	1	Hood-Side, RH
9	106-5673-03	1	Bracket-Hinge, LH
❶ 10	106-5672-03	1	Bracket-Hinge, RH
11	32144-14	2	Screw-HWH
12	107-8902	1	Decal-Hood, LH
❶ 13	107-8913	1	Decal-Hood, RH
14	32128-10	8	Nut-Lock, HHF
15	106-5676-03	2	Hinge-Hood
16	3296-29	2	Nut-Lock, NI
17	106-5680-03	1	Bracket-Hood, Hinge, LH
❶ 18	106-5682-03	1	Bracket-Hood, Hinge, RH
❶ 19		1	Grille ASM
19:1	106-5595	1	Grille
19:2	106-5693	1	Lens-LH
19:3	106-5692	1	Lens-RH
22	95-4248	1	Decal
23	3230-16	2	Screw-CARR

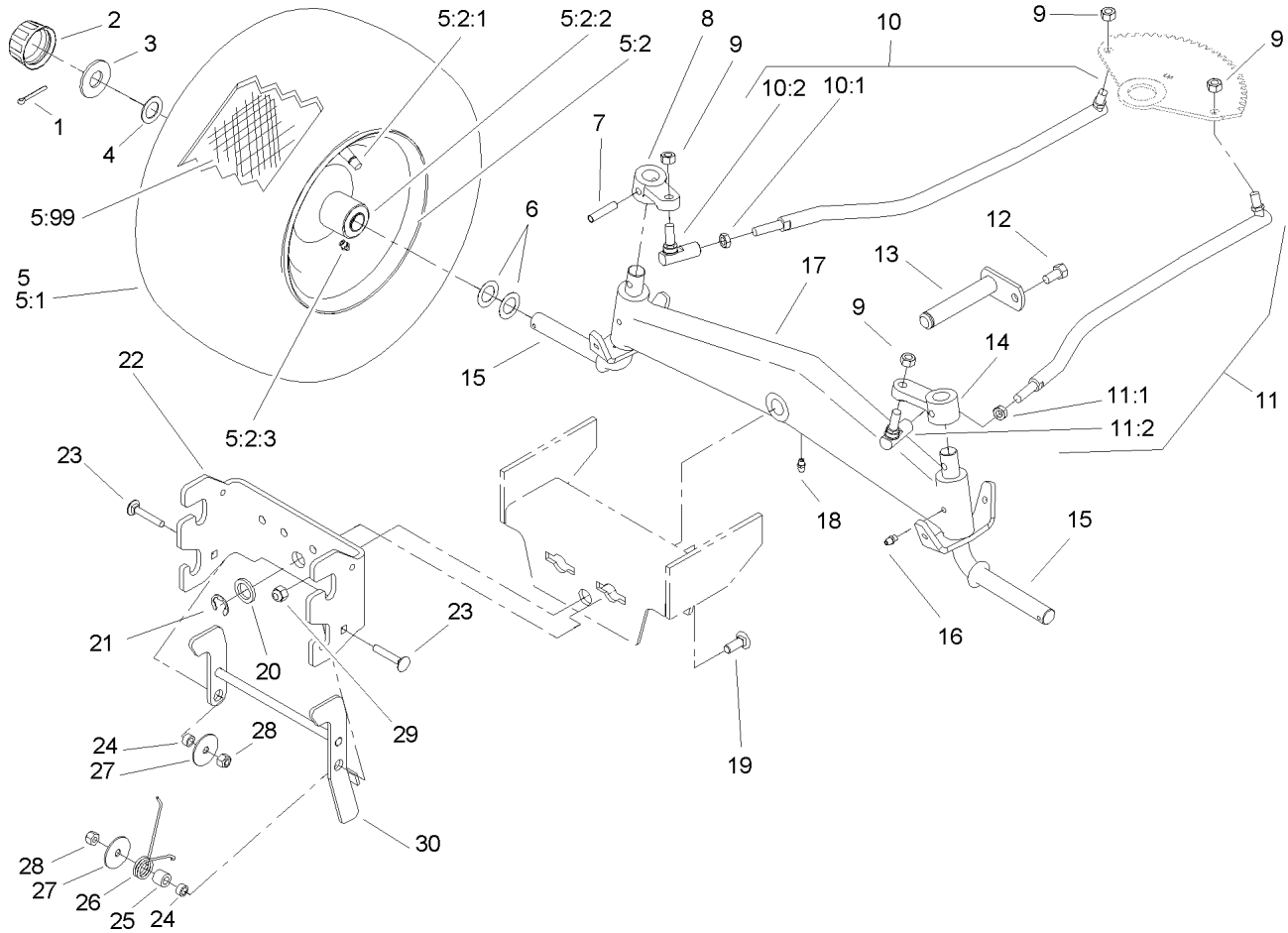
Ref	Part No.	Qty.	Description
24	106-9870	1	Reflector And Lamp ASM
24:1	116262	2	Socket-Headlight
24:2	7228	2	Bulb
24:3	106-9869	1	Reflector
25	106-9890	1	Harness-Wire, Headlights
26	614249	2	Strap-Tie
27	94-6961	2	Screw
28	92-6914-03	1	Baffle-Hood, Upper
29	46-8093	2	Screw-Plastite
30	2412-89	1	Clamp
31	98-2390	1	Clamp-R
32	321-5	4	Screw-HH
37	106-8745	1	O-Ring



Hydro Drive Assembly

Ref	Part No.	Qty.	Description
1	3296-39	2	Nut-Lock, NI
2	3256-24	3	Washer-Flat
3	323-10	1	Screw-HH
4	106-5597	1	Spacer-Idler, Traction
5	106-5566-03	1	Bracket-Idler
6	323-7	1	Screw-HH
7	106-5565	1	Spacer-Idler
8	93-0320	2	Pulley-Idler
9	323-13	1	Screw-HH
10	106-5598	1	Spring-Extension
11	3296-59	2	Nut-Lock, NI
12	92-7101	1	Pulley-Flat Idler
13	3253-5	3	Washer-Lock
14	323-8	1	Screw-HH
15	92-7104	1	Pulley-Idler
16	106-5574	1	Spacer-Mounting, Steering
17	323-12	1	Screw-HH
18	323-4	1	Screw-HH

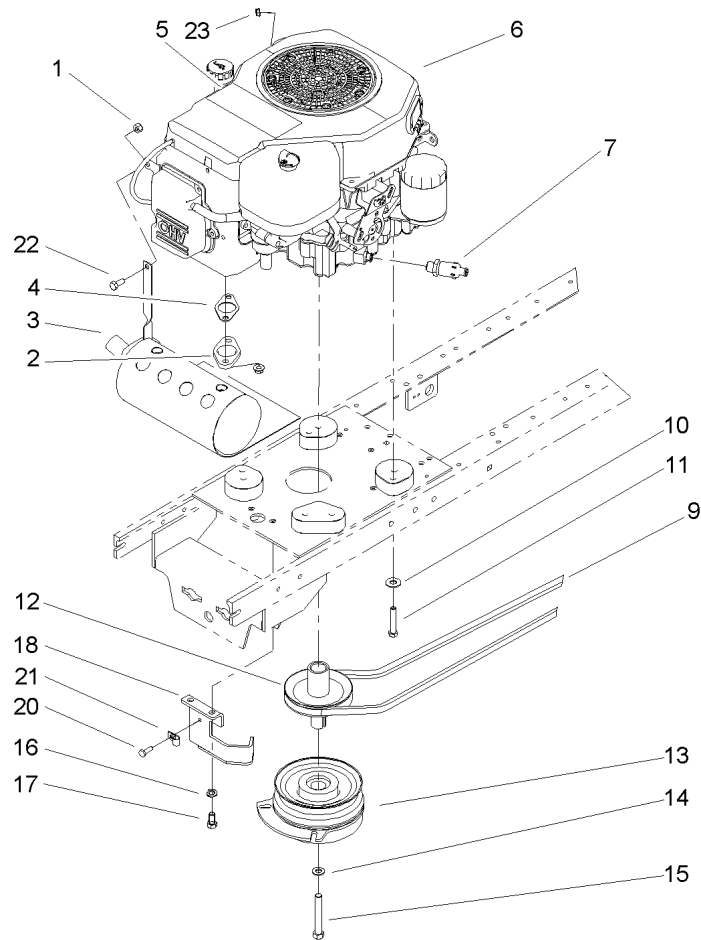
--	--	--	--



Front Axle and Hitch Assembly

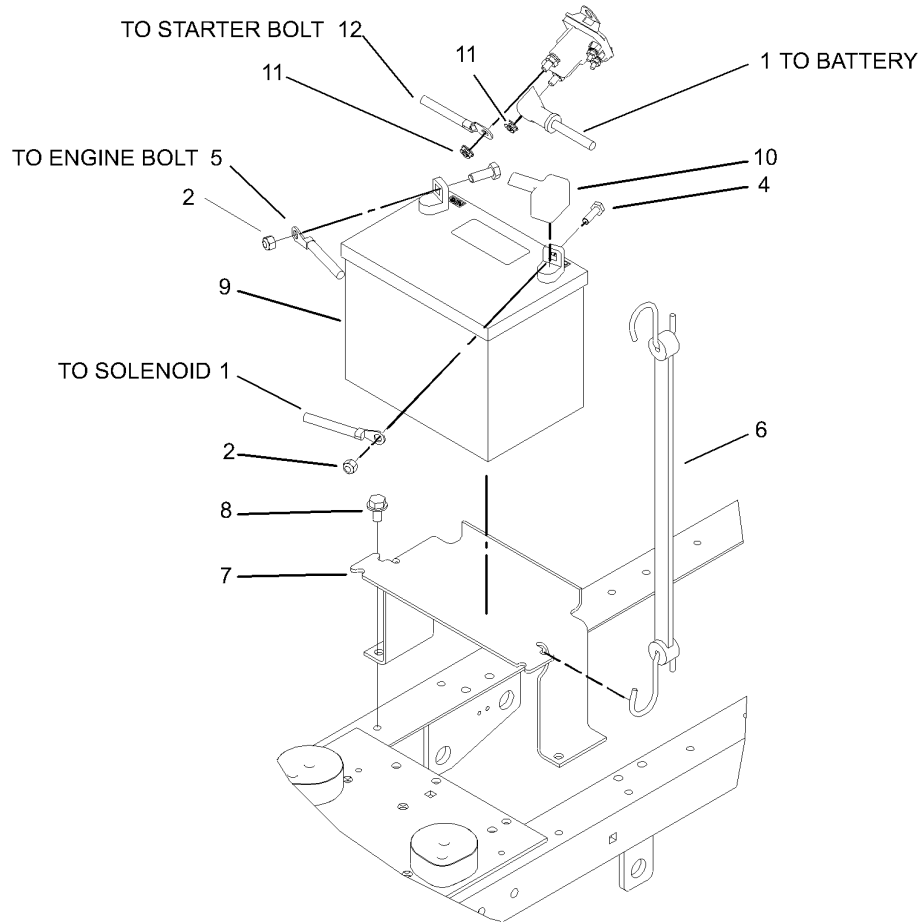
Ref	Part No.	Qty.	Description
1	3272-17	2	Pin-Cotter
2	61-9780	2	Cap-Hub
3	28-2480	2	Washer
4	1278	2	Washer
5		2	Front Wheel And Tire ASM
5:1	99-2336	1	Tire
5:2	93-9801	1	Wheel ASM
5:2:1	5108	1	Valve
5:2:2	110513	2	Bearing-Wheel
5:2:3	109500	1	Zerk-Grease
5:99	105293	1	Tube-Inner
6	5210	4	Washer-Shim
7	933270	2	Pin
8	78-1950-03	1	Spindle-Front Arm
9	9150026	4	Nut
10	92-6883	1	Linkage-Steering, RH
10:1	9150854	1	Nut-Jam
10:2	78-2920	1	Ball-Joint
11	92-6884	1	Linkage-Steering, LH
11:1	9150854	1	Nut-Jam
11:2	78-2920	1	Ball-Joint
12	9267154	1	Screw
13	92-7057-03	1	Pin-Axle
14	78-1940-03	1	Spindle-Front Arm

Ref	Part No.	Qty.	Description
15	78-2601-03	2	Spindle
16	302-5	2	Fitting-Grease
17	78-7960-03	1	Axle-Front
18	302-11	1	Fitting-Lube, 45 DEG
19	3231-25	4	Screw-CARR
20	9202324	1	Washer
21	5618	1	E-Ring
22	106-4044-03	1	Hitch-Front
23	3230-5	2	Screw-CARR
24	92-6998	2	Spacer-Yoke, Right
25	107-3677	1	Spacer-Tube
26	106-4048	1	Spring-Torsion
27	3256-68	2	Washer-Flat
28	3296-29	2	Nut-Lock, NI
29	3296-39	4	Nut-Lock, NI
30	106-5637-03	1	Latch ASM



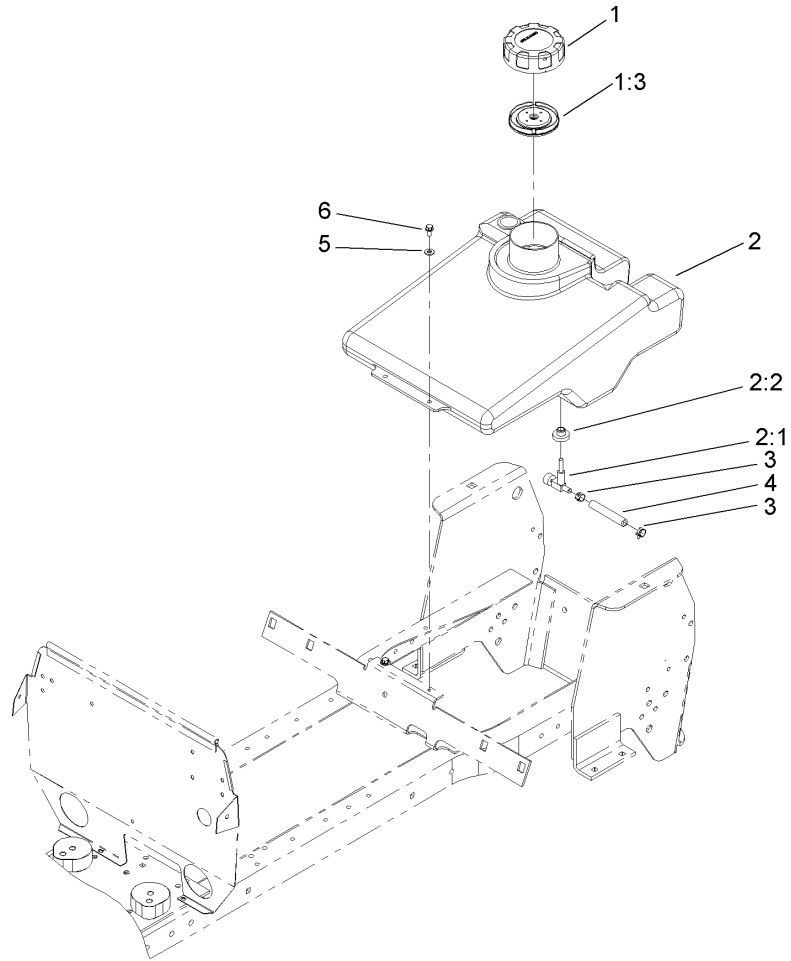
Engine, Muffler and PTO Assembly

Ref	Part No.	Qty.	Description				
1	3296-29	1	Nut-Lock, NI				
2	92-6780	2	Nut-HF				
3	106-5670	1	Muffler				
4	92-6716	1	Gasket-Exhaust				
5	104-4693	1	Decal-Power				
6		1	Engine-Kohler, Cv460s-26518				
7	92-6877	1	Valve-Drain, Oil				
9	106-5813	1	V Belt-Traction				
10	3253-4	4	Washer-Lock				
11	33114-050	4	Screw-HH				
12	106-5665-03	1	Pulley-Engine				
13	106-4099	1	Clutch				
14	3256-25	1	Washer-Flat				
15	3212-19	1	Screw-HH				
16	3253-5	2	Washer-Lock				
17	323-4	2	Screw-HH				
18	107-3662-03	1	PTO Stop ASM				
20	32144-4	1	Screw-HWH				
21	2412-89	1	Clamp				
22	322-3	1	Screw-HH				
23	32149-2	1	Nut				



Battery Assembly

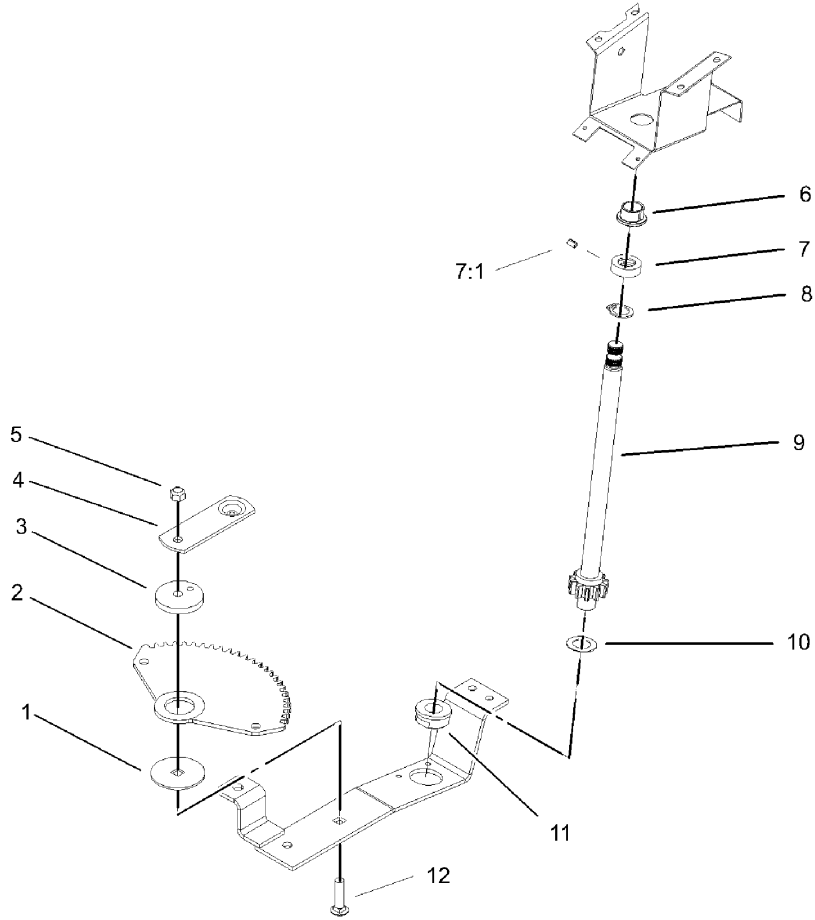
Ref	Part No.	Qty.	Description
1	106-8268	1	Cable-Battery, Red
2	3296-29	2	Nut-Lock, NI
4	322-4	2	Screw-HH
5	105-0836	1	Cable-Battery, Black
6	104-2467	1	Hold-Down, Battery
7	104-0812-03	1	Bracket-Battery
8	32144-14	2	Screw-HWH
9	104-2491	1	Battery
10	28-8080	1	Boot-Terminal
11	32149-2	2	Nut
12	106-8269	1	Cable-Battery, Red



Fuel Tank Assembly

Ref	Part No.	Qty.	Description
1	88-3980	1	Gas Cap ASM
1:3	88-4010	1	Gasket-Cap, Gas
2	94-6928	1	Tank-Gas
2:1	104048	1	Valve-Fuel
2:2	104047	1	Bushing
3	2412-98	2	Clamp
4	106-9876	1	Hose-Fuel Line
5	3256-22	2	Washer-Flat
6	32144-4	2	Screw-HWH

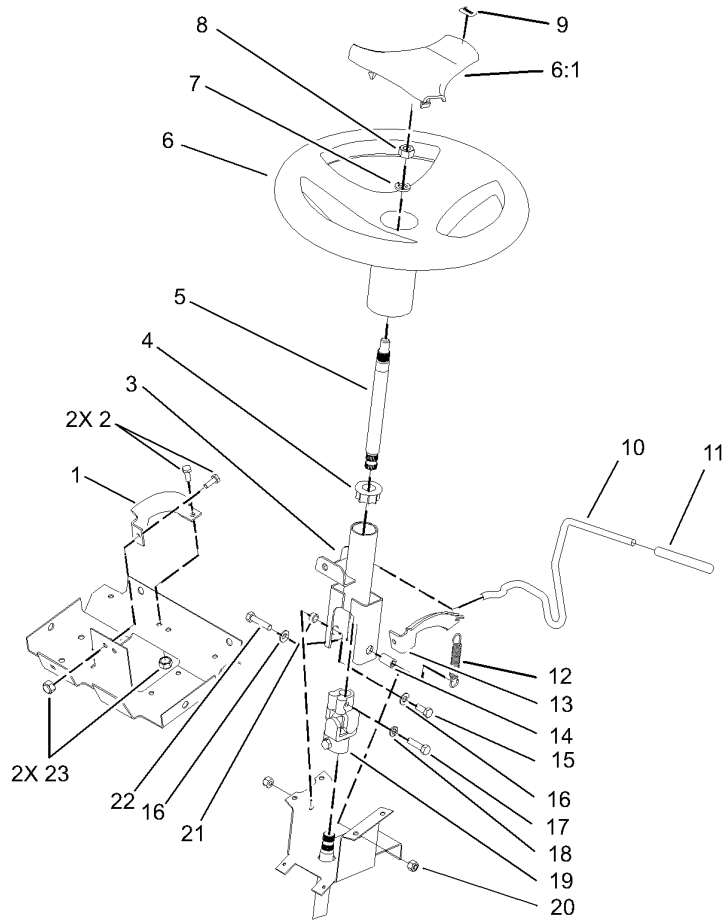
--	--	--	--



Lower Steering Wheel and Tilt Assembly

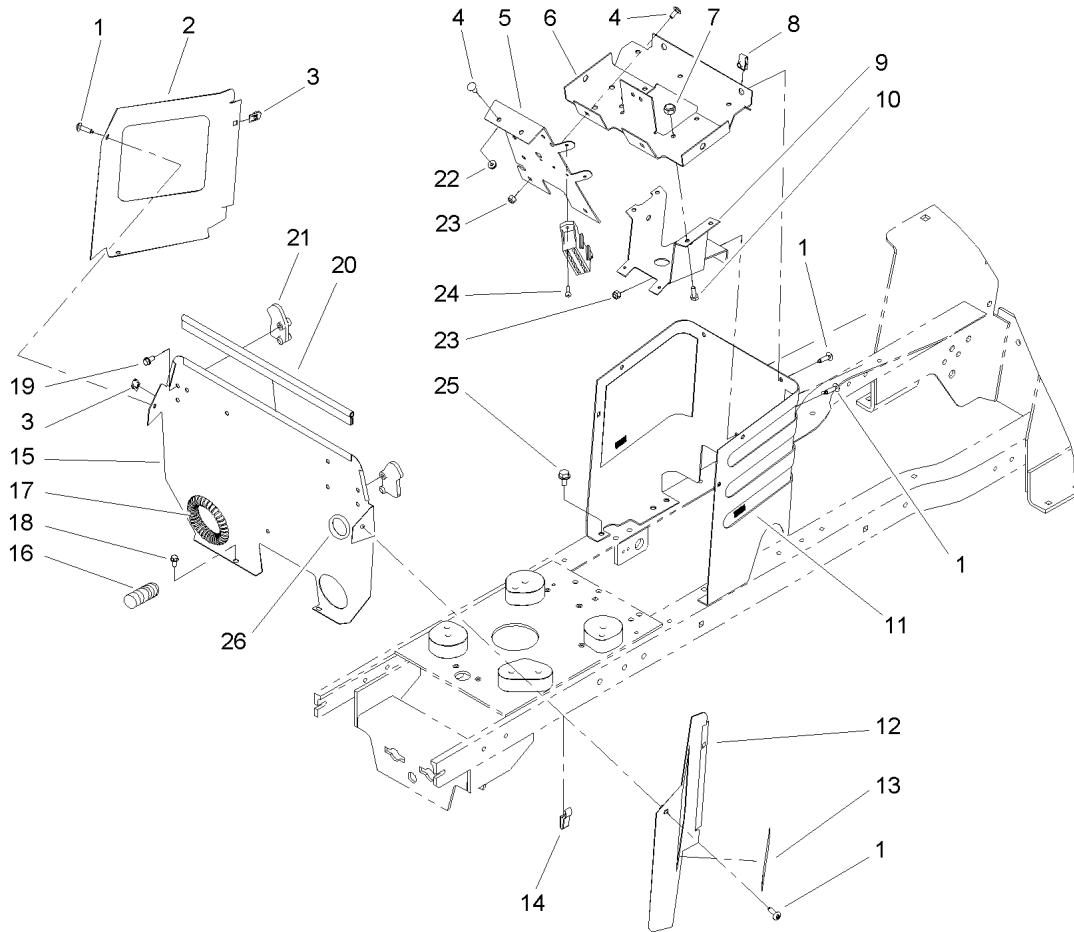
Ref	Part No.	Qty.	Description
1	111419	1	Washer-Bearing
2	106-8262	1	Sector-Gear
3	111418	1	Bushing
4	78-9150-03	1	Plate
5	108881	1	Nut
6	109189	1	Bearing-Flanged
7	111383	1	Collar
7:1	3245-32	1	Screw-HS
8	111646	1	Ring-Retaining
9	92-6702	1	Shaft-Steering Lower
10	1278	2	Washer
11	110391	1	Bearing-Wheel
12	3231-4	1	Screw-CARR

--	--	--	--



Steering Wheel and Tilt Assembly

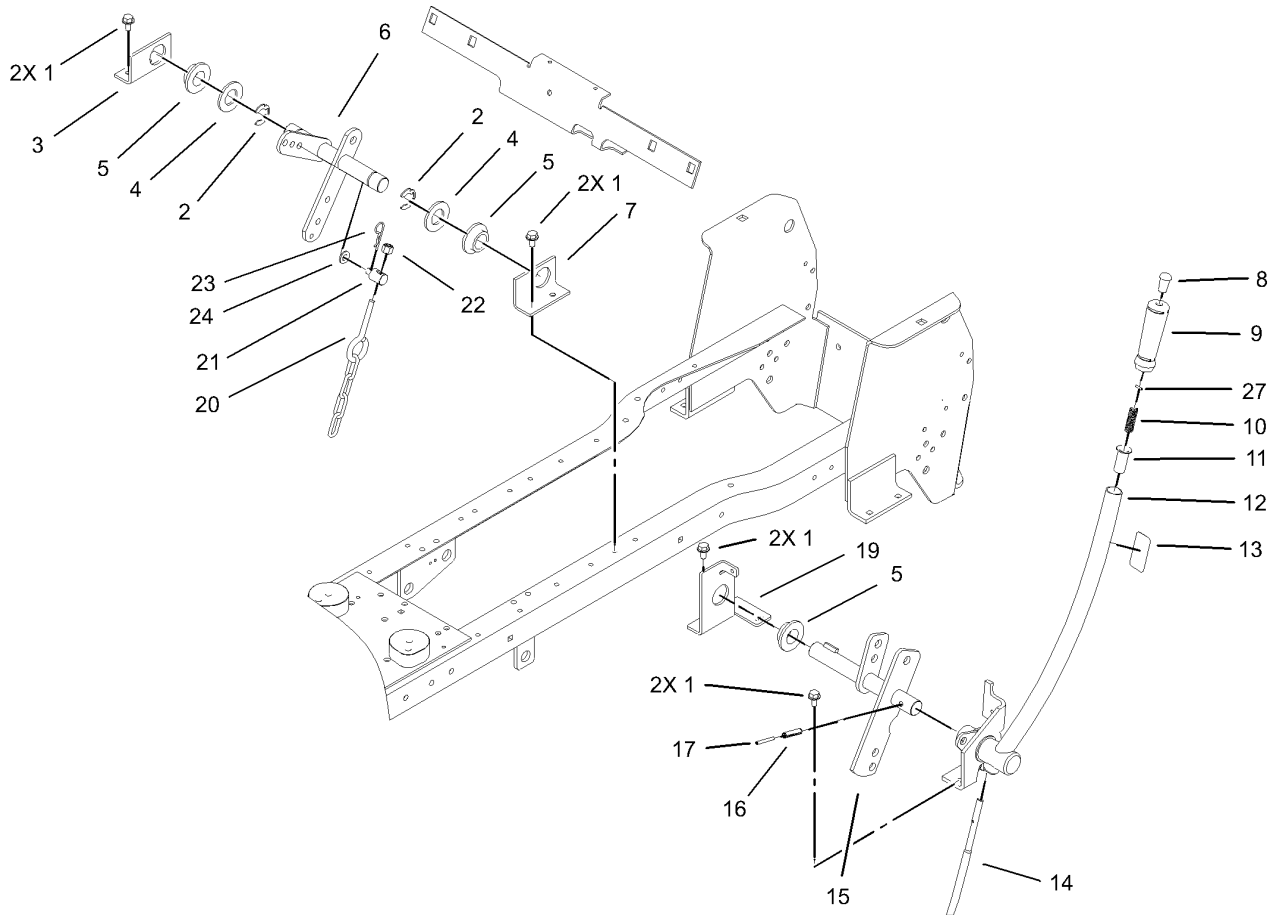
Ref	Part No.	Qty.	Description
1	92-6777-03	1	Bracket-Support Column
2	321-4	4	Screw-HH
3	93-1148-03	1	Column ASM
4	93-1146	1	Bushing-Upper, Steering
5	94-2874	1	Shaft-Short, Steering
6	98-1471	1	Wheel-Steering
6:1	98-1468	1	Cover-Wheel, Steering
7	3253-7	1	Washer-Lock
8	3217-9	1	Nut-Hex
9	98-1459	1	Decal
10	92-6971	1	Lever-Tilt
11	92-6798	1	Cap-Rod, Tilt
12	93-1357	1	Spring-Extension, Steering
13	92-6776	1	Bracket-Detent
14	92-6999	1	Spacer-Yoke
15	322-3	1	Screw-HH
16	3256-23	2	Washer-Flat
17	33114-030	2	Screw-HH
18	3253-4	2	Washer-Lock
19	92-6717	1	U Joint-Steering
20	3296-29	2	Nut-Lock, NI
21	92-6998	1	Spacer-Yoke, Right
22	322-17	1	Screw-HH
23	3296-8	4	Nut-Lock, NI



Hoodstand and Firewall Assembly

Ref	Part No.	Qty.	Description
1	92-7020	9	Screw-HH
2	92-6937-03	1	Cover-RH Side ASM
3	92-7006	4	Nut
4	3229-11	4	Screw-CARR
5	106-8246-03	1	Panel-Support, Dash
6	92-6859-03	1	Support-Dash
7	3296-8	4	Nut-Lock, NI
8	107069	4	Clip
9	92-6778-03	1	Bracket-Column, Lower
10	321-4	4	Screw-HH
11	106-5570-03	1	Hoodstand ASM
12	92-6936-03	1	LH Cover ASM
13	106-5816	2	Decal
14	212-93	1	Clamp-Casing
15	104-0818-03	1	Firewall
16	106-4146	1	Harness-Wire
17	24-7924	2	Cover-Drive Shaft
18	32144-4	2	Screw-HWH
19	46-8093	2	Screw-Plastite
20	93-1131	1	Trim-Seal Firewall
21	92-6960	2	Latch-Hood
22	32149-2	2	Nut
23	3296-42	3	Nut-Lock, NI
24	32144-8	2	Screw-HH

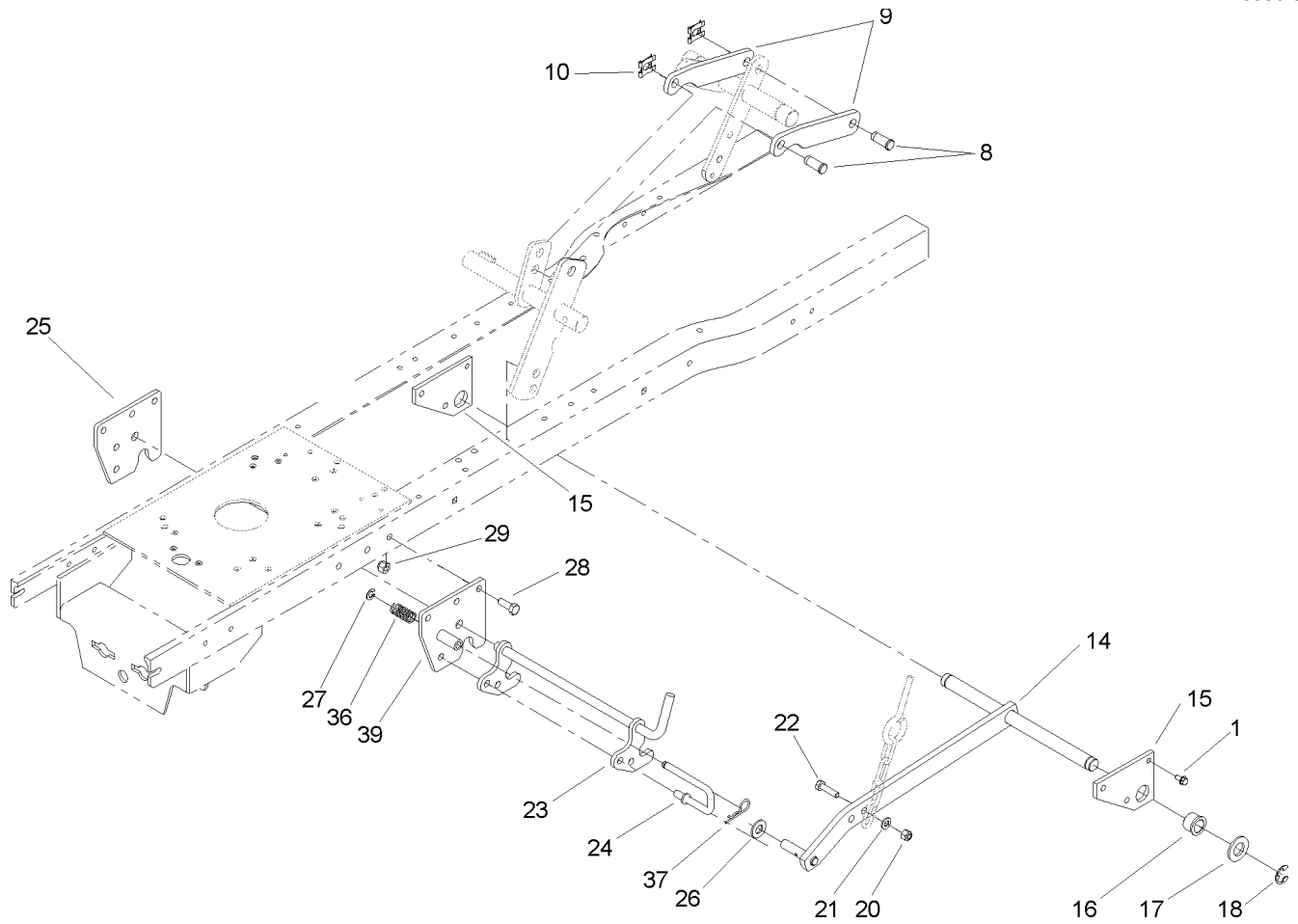
Ref	Part No.	Qty.	Description
25	32144-14	2	Screw-HWH
26	7410076	5	Conduit-Polyethylene



Manual Lift Lever Assembly

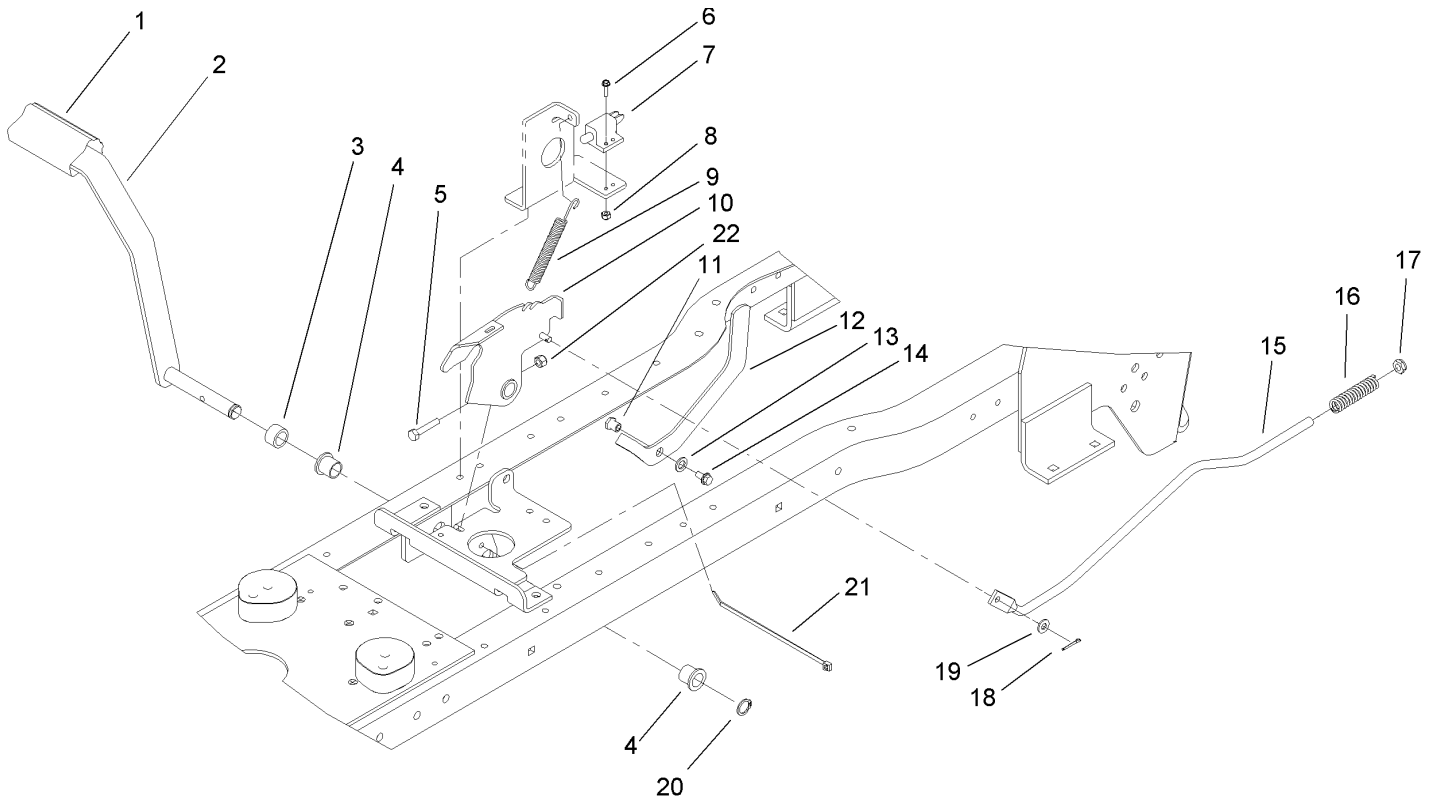
Ref	Part No.	Qty.	Description
1	32144-14	8	Screw-HWH
2	32151-91	2	Ring-Retaining
3	106-5650-03	1	Bracket-Pivot Linkage, RH
4	3256-62	2	Washer-Flat
5	106269	3	Bearing-Flange
6	106-5660-03	1	Lift Lever ASM
7	106-5652-03	1	Bracket-Pivot Linkage, LH
8	92-6711	1	Tip-Rod
9	92-6710	1	Grip-Handle
10	3624	1	Spring-Compression
11	8130	1	Retainer-Spring
12	106-5663-03	1	Lift Lever ASM
13	112168	1	Decal-Lift
14	92-6977-03	1	Rod-Lift Lever
15	106-5656-03	1	Lift Arm ASM
16	32121-25	1	Pin-Roll
17	32121-103	1	Pin-Spring
19	106-4073-03	1	Bracket-Pivot, Lift
20	106522	1	Chain-Lift
21	79-2790	1	Trunnion
22	3296-39	1	Nut-Lock, NI
23	9335054	1	Pin-Hair
24	3256-24	1	Washer-Flat
27	933148	1	Pin-Spirol

--	--	--	--



Lift Assembly

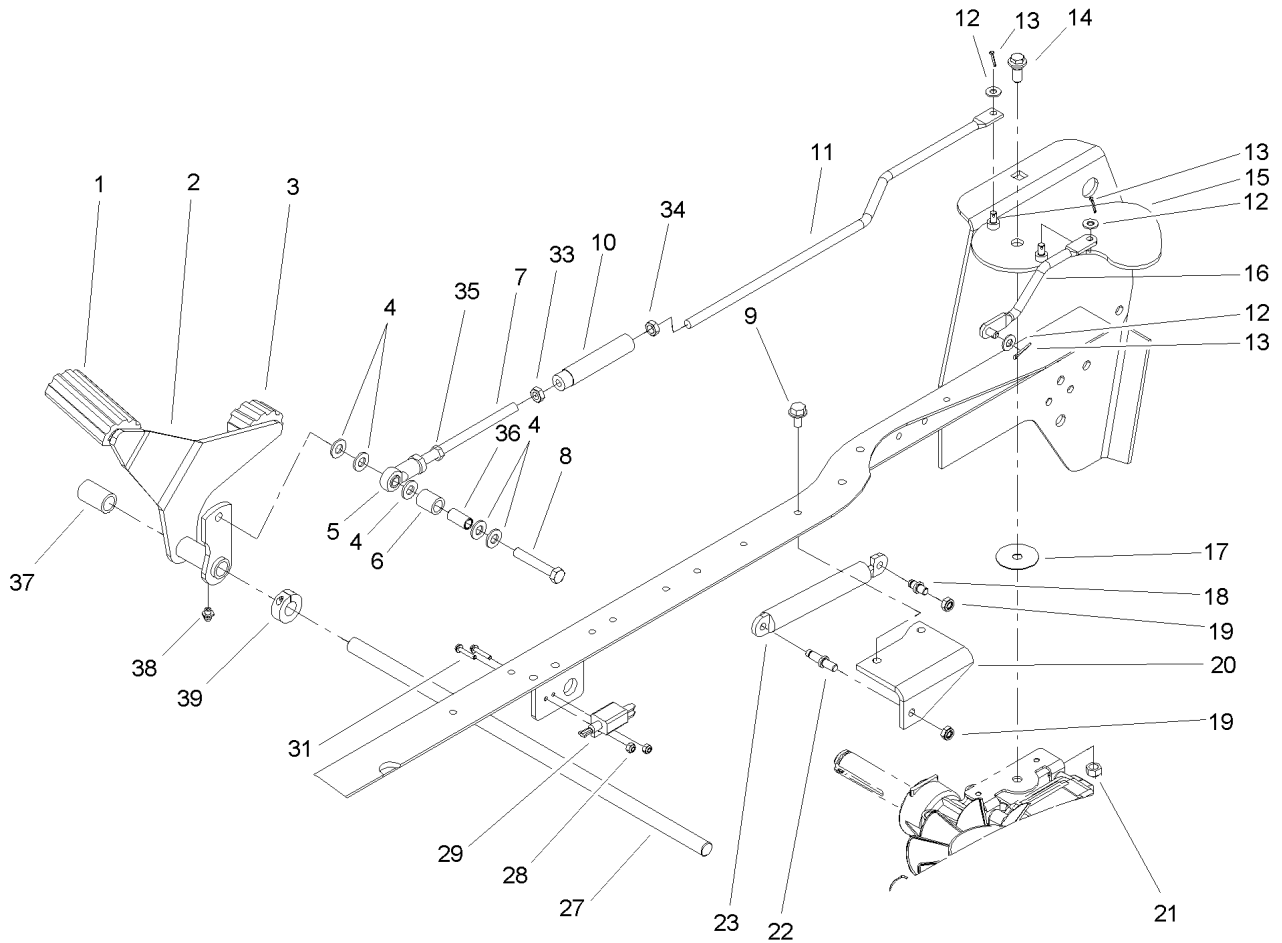
Ref	Part No.	Qty.	Description				
1	32144-14	2	Screw-HWH				
8	98-1639	2	Pin-Clevis				
9	106-5691-03	2	Strap-Link, Lift				
10	95-4064	2	Clip-Pin				
14	106-4065-03	1	Lift Bar ASM				
15	106-4066	2	Plate-Lift, Rear				
16	98-1636	2	Bushing-Flange				
17	3256-28	2	Washer-Flat				
18	32151-48	2	E-Ring				
20	3296-29	1	Nut-Lock, NI				
21	3256-23	1	Washer-Flat				
22	322-6	1	Screw-HH				
23	106-4091	1	Midhitch Latch ASM				
24	107-3663	1	Rod-Catch				
25	106-4060	1	Plate-Hitch				
26	3256-26	1	Washer-Flat				
27	105797	1	Ring-Retaining				
28	323-46	6	Screw-HH				
29	3296-39	6	Nut-Lock, NI				
36	101853	1	Spring-Compression				
37	9335054	1	Pin-Hair				
39	107-3665	1	Midhitch ASM				



Brake Assembly

Ref	Part No.	Qty.	Description
1	65-2920	1	Pad-Pedal
2	106-4068-03	1	Brake Pedal ASM
3	92-6982	1	Spacer-Brake
4	256-90	2	Bushing-Flange
5	321-13	1	Screw-HH
6	3290-392	2	Screw-HHF
7	95-1653	1	Switch-Pole, Single
8	3296-1	2	Nut-Lock, NI
9	93-0540	1	Spring-Extension
10	106-4069	1	Brake ASM
11	47-4990	1	Post-Linkage Mounting
12	106-4075	1	Lever-Brake, Parking
13	106-5592	1	Spacer-Brake, Parking
14	3234-13	1	Screw-HHF
15	106-5621	1	Rod-Brake
16	104-0837	1	Spring-Compression
17	3296-5	1	Nut-Lock
18	3272-6	1	Pin-Cotter
19	3256-22	1	Washer-Flat
20	32151-62	1	Ring-Retaining
21	614249	1	Strap-Tie
22	3296-42	1	Nut-Lock, NI

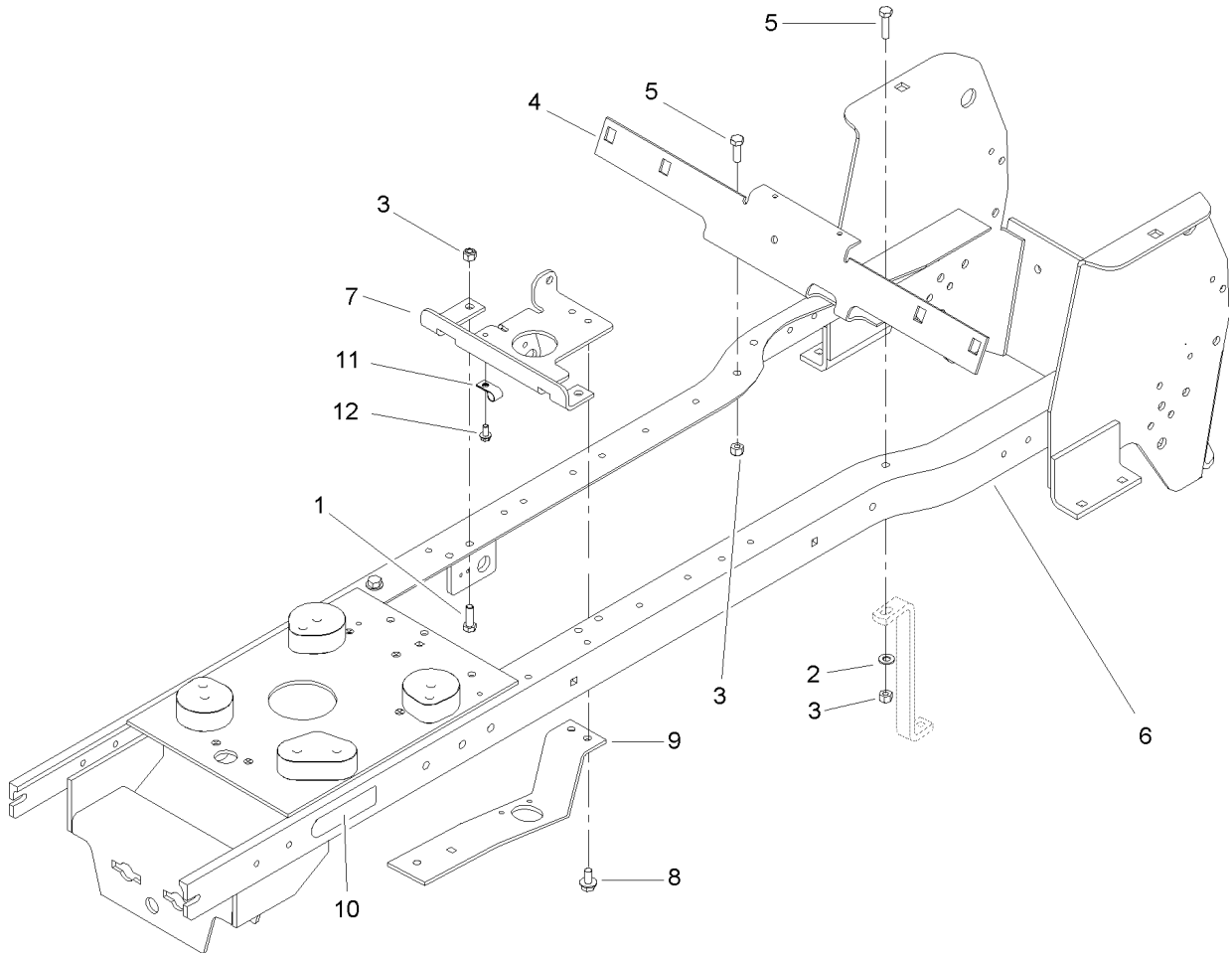
--	--	--	--



Hydro Control Assembly

Ref	Part No.	Qty.	Description
1	92-6902	1	Pad-Pedal
2	107-3676-03	1	Hydro Pedal ASM
3	92-6903	1	Pad-Pedal
4	3256-24	5	Washer-Flat
5	92-7008	1	End-Rod, Female
6	106-9939	1	Spacer-Interlock
7	107-3674	1	Rod-Hydro, Front
8	323-11	1	Screw-HH
9	32144-70	1	Screw-HH
10	95-1504	1	Turnbuckle
11	107-3679	1	Rod-Hydro, Rear
12	3256-23	3	Washer-Flat
13	3272-6	3	Pin-Cotter
14	94-7582	1	Bolt-Shoulder
15	106-5579	1	Cruise Plate ASM
16	106-5577	1	Bell Crank Rod ASM
17	94-7575	1	Spacer-Cruise
18	100-6056	1	Arm-Control, Pin Damper
19	3296-20	2	Nut-Lock, NI
20	106-8247-03	1	Bracket-Damper
21	108881	1	Nut
22	100-6057	1	Pin-Damper Bracket
23	100-8732	1	Damper-Gas
27	94-4944	1	Shaft-Pedal Pivot

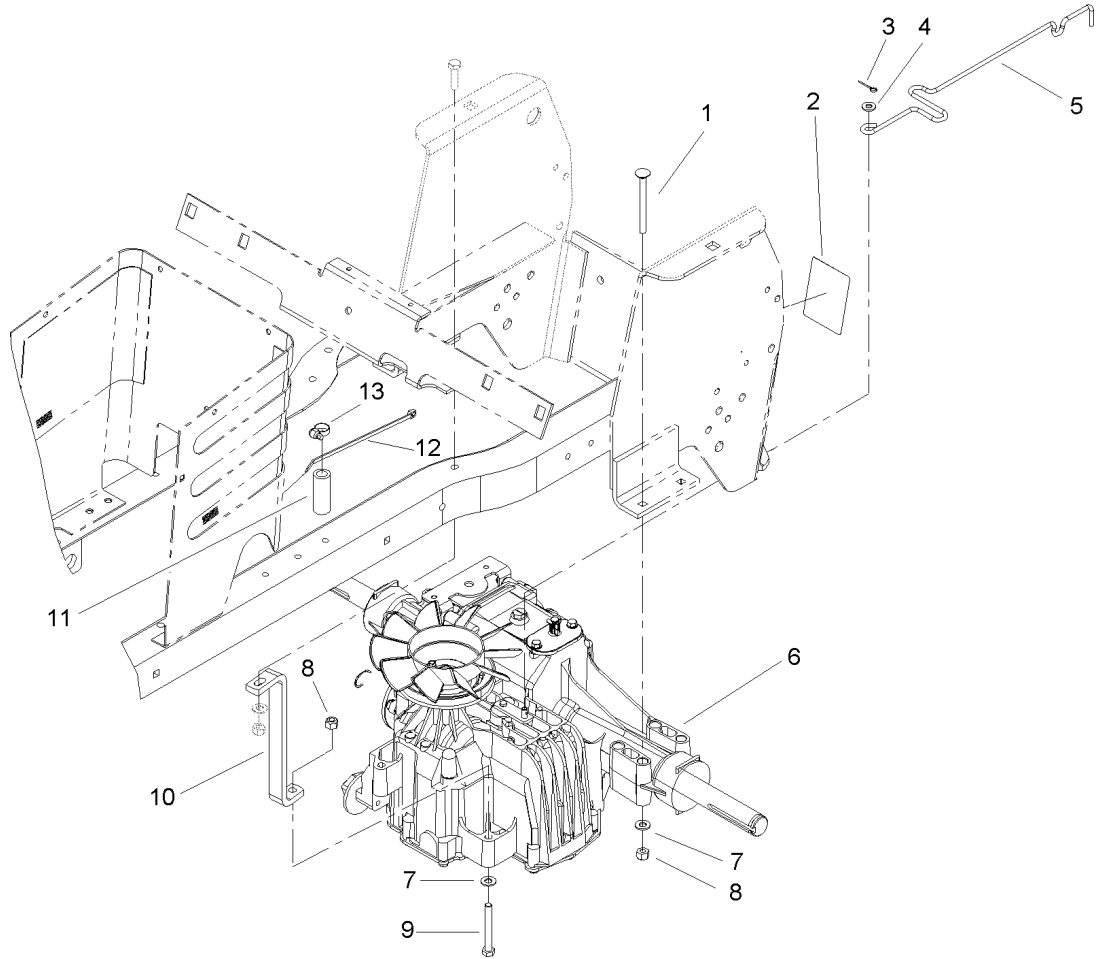
Ref	Part No.	Qty.	Description
28	3296-1	2	Nut-Lock, NI
29	106-4145	1	Switch-Adjustable
31	32105-29	2	Screw-SHWH
33	3220-3	1	Nut-Jam
34	106-8248	1	Nut-Jam
35	3218-3	1	Nut-Jam
36	76-1920	1	Sleeve-Bearing
37	92-6966	1	Spacer
38	302-26	1	Fitting-Grease
39	107-8453	1	Collar-Locking



Frame Assembly

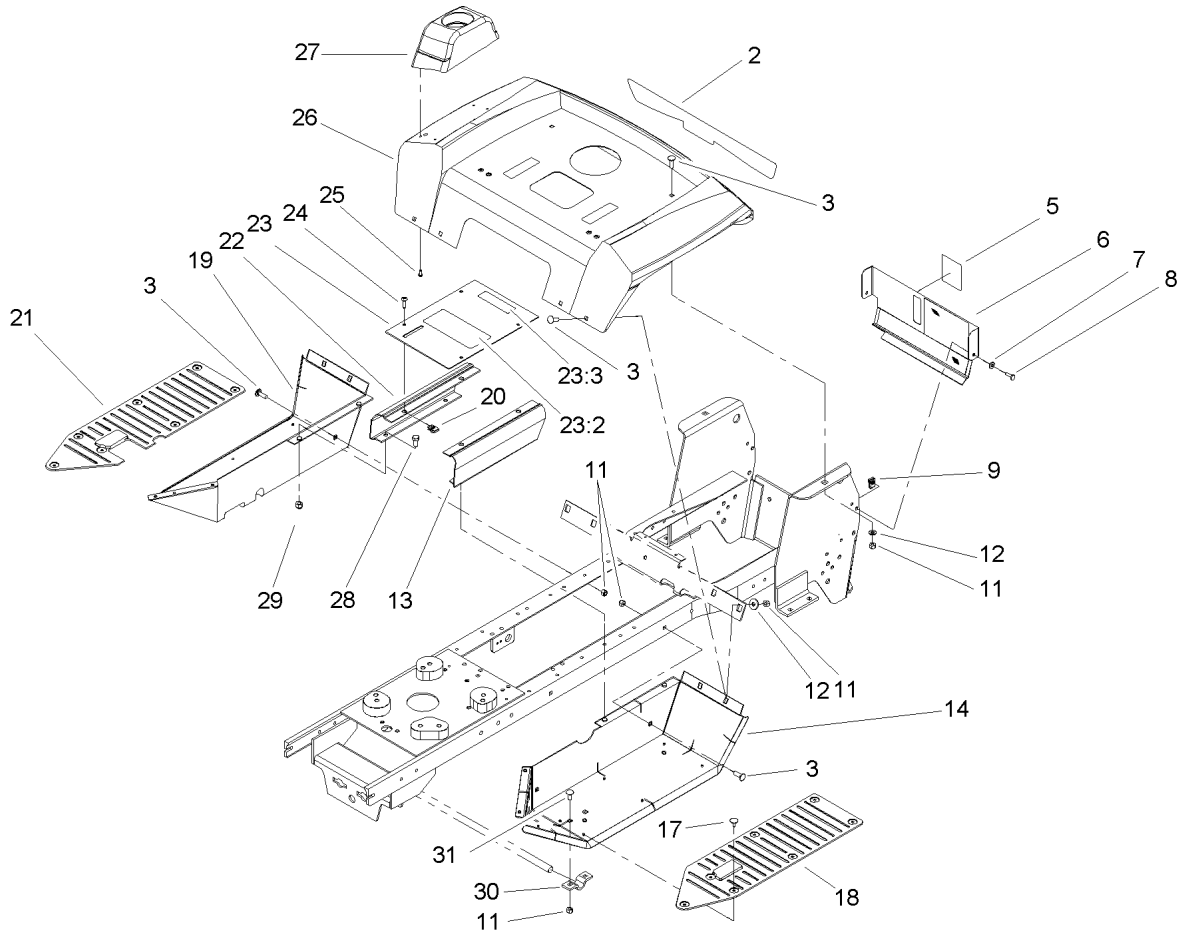
Ref	Part No.	Qty.	Description
1	322-5	2	Screw-HH
2	3256-23	1	Washer-Flat
3	3296-29	4	Nut-Lock, NI
4	106-5564-03	1	Support-Fender
5	322-6	2	Screw-HH
6	107-8451-03	1	Frame ASM
7	106-4074-03	1	Bracket-Support, Steering
8	32144-14	2	Screw-HWH
9	106-5573-03	1	Steering Bracket ASM
10	92-8747	2	Decal-Attach-A-Matic
11	2412-89	1	Clamp
12	32144-4	1	Screw-HWH

--	--	--	--



Hydro Transaxle Assembly

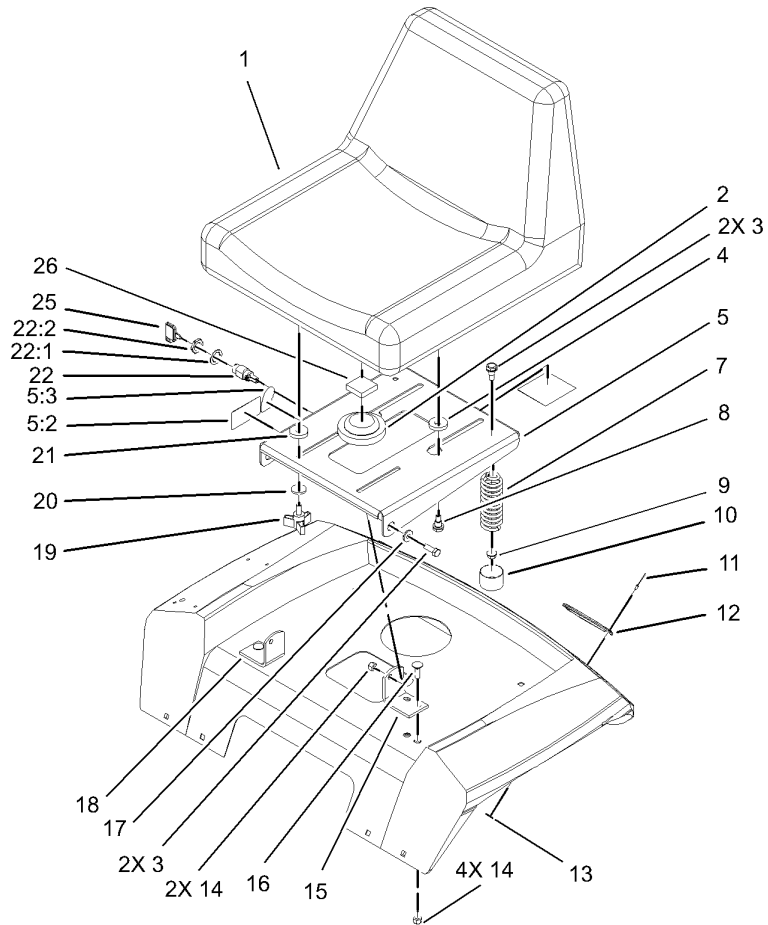
Ref	Part No.	Qty.	Description				
1	3230-11	4	Screw-CARR				
2	92-6726	1	Decal-Hydro Valve				
3	3272-2	1	Pin-Cotter				
4	3256-22	1	Washer-Flat				
5	104-5037	1	Rod-Bypass				
6	104-4310	1	Transaxle-Hydrostatic				
7	3256-23	5	Washer-Flat				
8	3296-29	5	Nut-Lock, NI				
9	322-11	1	Screw-HH				
10	100-1343-03	1	Strap-Torque				
11	106-5588	1	Hose-Breather				
12	614249	1	Strap-Tie				
13	2412-119	1	Clamp-Worm				



Fender and Footrest Assembly

Ref	Part No.	Qty.	Description
2	106-5845	1	Decal-Fender, Rear
3	3230-31	10	Screw-CARR
5	92-6727	1	Decal-Fuel Level
6	99-6765-03	1	Rear Panel ASM
7	3256-22	2	Washer-Flat
8	321-4	2	Screw-HH
9	609900	2	Nut-Speed
11	3296-29	14	Nut-Lock, NI
12	94-2869	6	Washer
13	106-5594-03	1	Channel-Saddle, LH
14	92-6746-01	1	Footrest-LH
17	3290-479	14	Fastener-Panel
18	92-6688	1	Footpad-LH
19	92-6747-01	1	Footrest-RH
20	107069	4	Clip
21	92-6687	1	Footpad-RH
22	106-5593-03	1	Channel-Saddle, RH
23	107-9213	1	Saddle Plate Decal ASM
23:2	93-0302	1	Decal-Danger
23:3	83-6620	1	Decal-Instruction
24	92-7020	4	Screw-HH
25	32144-20	4	Screw-Thread Forming
26	106-5583-01	1	Fender ASM
27	104-0838	1	Holder-Cup

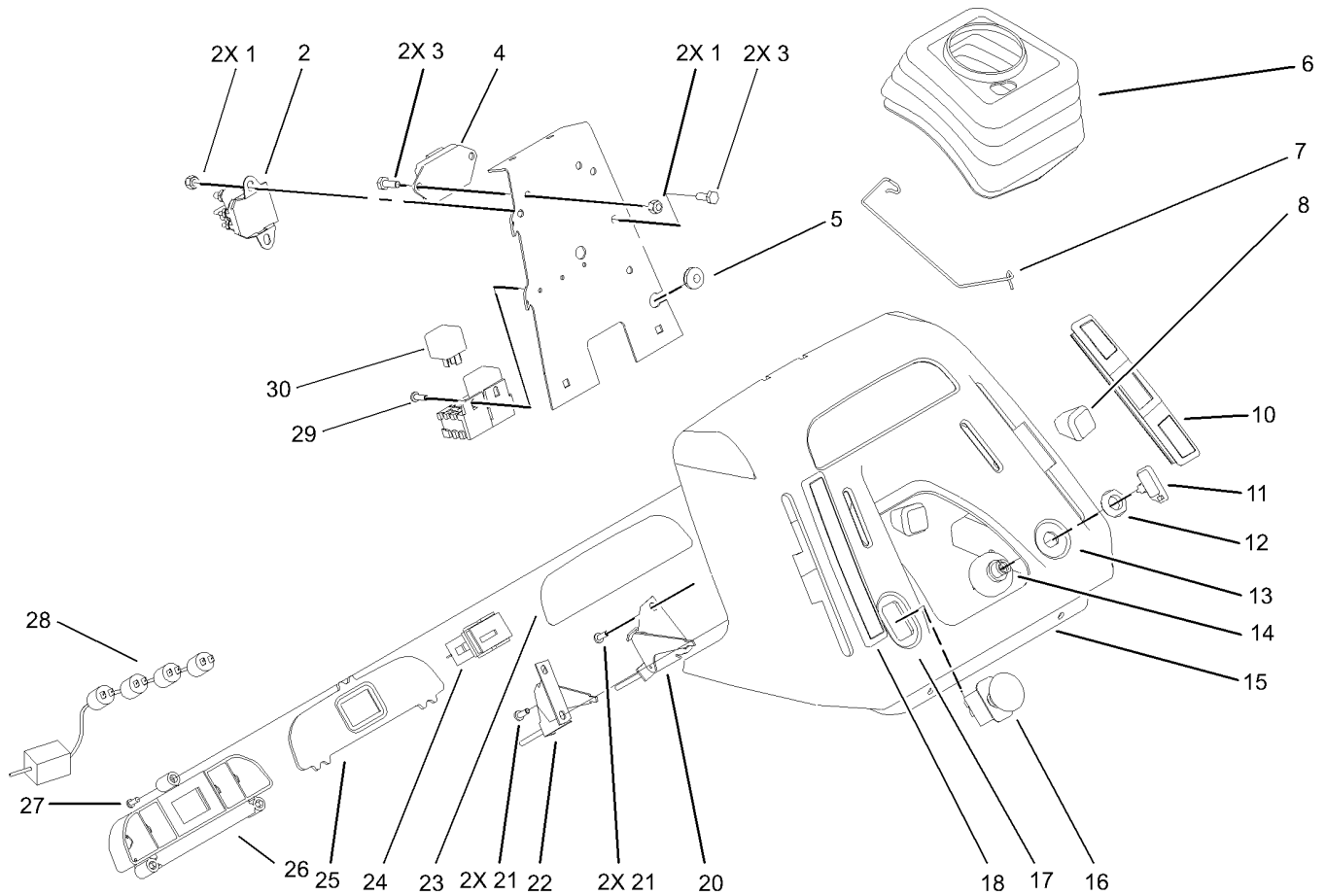
Ref	Part No.	Qty.	Description
28	323-4	4	Screw-HH
29	3296-39	4	Nut-Lock, NI
30	106288	2	Clamp
31	3230-1	4	Bolt-CARR



Seat Assembly

Ref	Part No.	Qty.	Description
1	104-2463	1	Seat-High Back
2	100-3524	1	Switch-Seat
3	322-5	4	Screw-HH
4	92-6750	2	Spacer-Nylon
5	104-5027	1	Support Seat ASM
5:2	99-2985	1	Danger-Decal
5:3	99-5339	1	Decal
7	92-7054	2	Spring-Compression
8	92-6986	2	Bolt-Shoulder
9	32128-25	2	Nut-HF
10	701178	2	Cap-Protector
11	3290-282	4	Rivet-Pop
12	106557	2	Reflector-Stick On
13	3256-49	4	Washer-Flat
14	3296-29	6	Nut-Lock, NI
15	79-0950-03	1	Bracket-Pivot, RH
16	3230-31	4	Screw-CARR
17	105503	2	Bushing
18	79-0970-03	1	Bracket-Pivot, LH
19	700806	2	Knob
20	94-2869	2	Washer
21	109989	2	Spacer-Nylon
22	46-5780	1	Switch-Starter
22:1	3254-5	1	Washer-Tooth

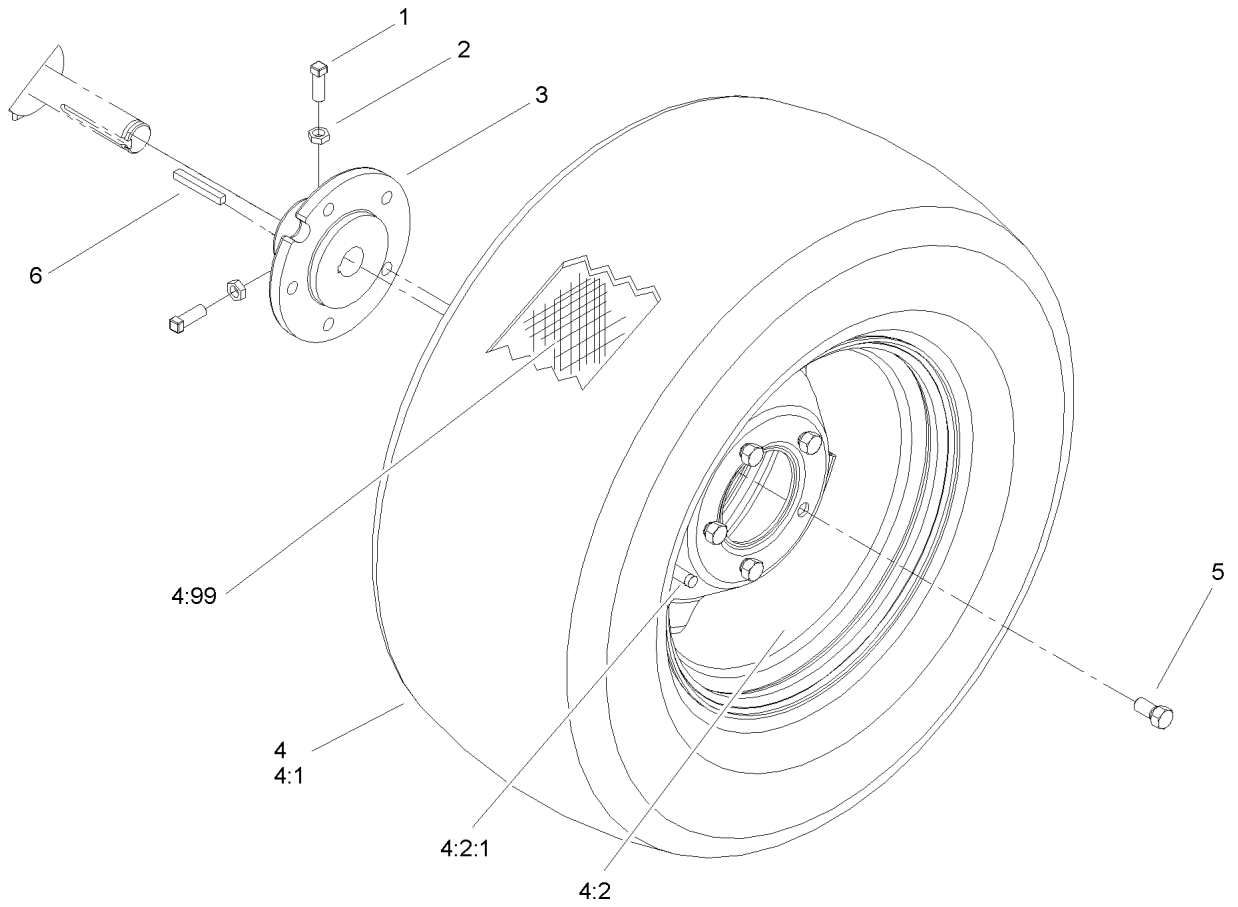
Ref	Part No.	Qty.	Description
22:2	218-461	1	Nut-HH
25	62-7770	1	Key-Ignition
26	104-2488	1	Foam-Switch, Seat



Dash Assembly

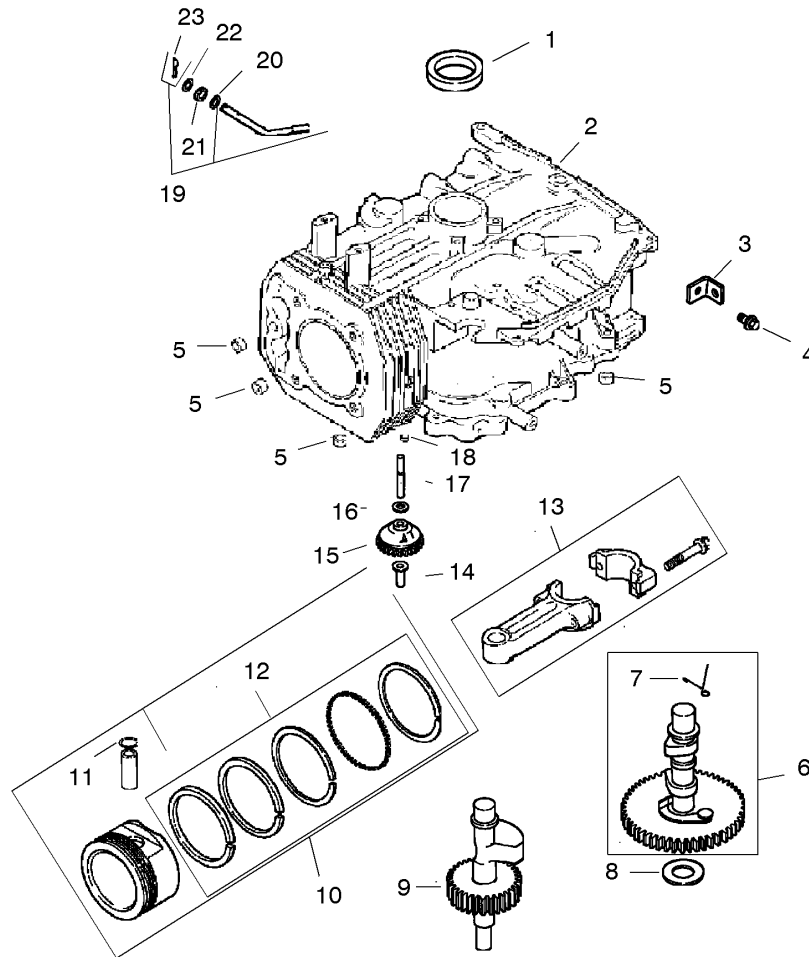
Ref	Part No.	Qty.	Description
1	3296-42	4	Nut-Lock, NI
2	106-8245	1	Solenoid
3	321-4	4	Screw-HH
4	99-3701	1	Module-Clutch
5	237-141	1	Grommet-Rubber
6	92-6680	1	Boot-Steering
7	94-2966	1	Clip-Boot
8	66-0120	2	Knob
10	92-6796	1	Cover-Slot RH
11	62-7770	1	Key-Ignition
12	700919	1	Nut
13	92-6721	1	Decal-Throttle, Ignition
14	92-6785	1	Switch-Ignition
15	94-1894	1	Dash
16	93-9998	1	Switch-PTO
17	92-6720	1	Decal-Pto/choke
18	92-6797	1	Cover-Slot, LH
20	92-6782	1	Control-Throttle
21	32144-32	4	Screw
22	92-6781	1	Control-Choke
23	99-8038	1	Decal-Lens, Dash
24	94-4208	1	Hourmeter
25	92-6705	1	Lens-Dash
26	92-6732	1	Housing-Light, Indicator

Ref	Part No.	Qty.	Description
27	94-6961	3	Screw
28	99-8066	1	Harness-Lamp
29	32144-8	2	Screw-HH
30	98-7249	2	Relay



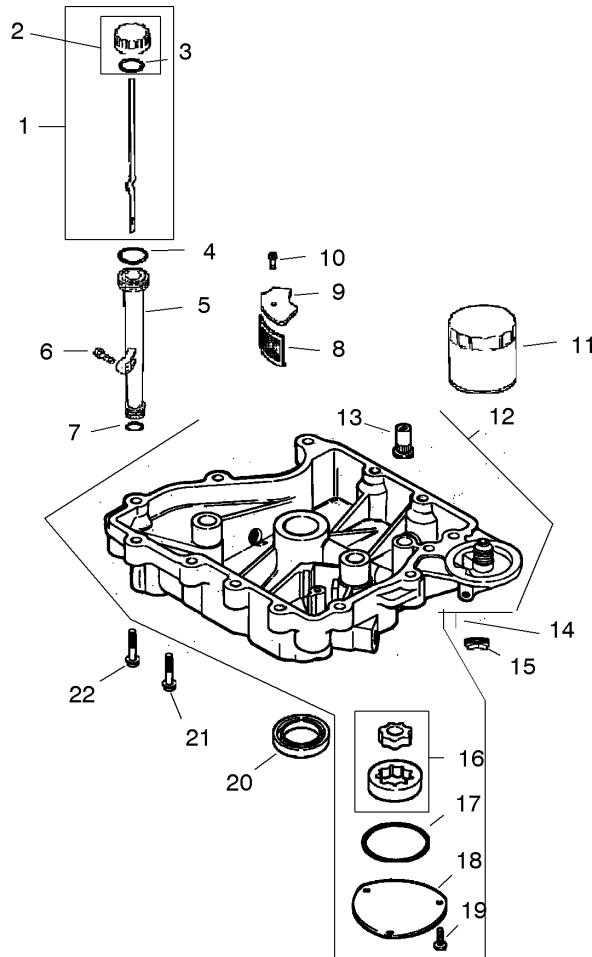
Rear Wheel Assembly

Ref	Part No.	Qty.	Description				
1	3243-5	4	Screw-Set, SQH				
2	3218-3	4	Nut-Jam				
3	93-3659-03	2	Hub-Wheel				
4		2	Rear Wheel And Tire ASM				
4:1	99-2334	1	Tire				
4:2	78-1221	1	Wheel				
4:2:1	5108	1	Valve				
4:99	7007	1	Tube-Inner				
5	83-2720	10	Bolt-Lug				
6	5-1336	2	Key-Square				



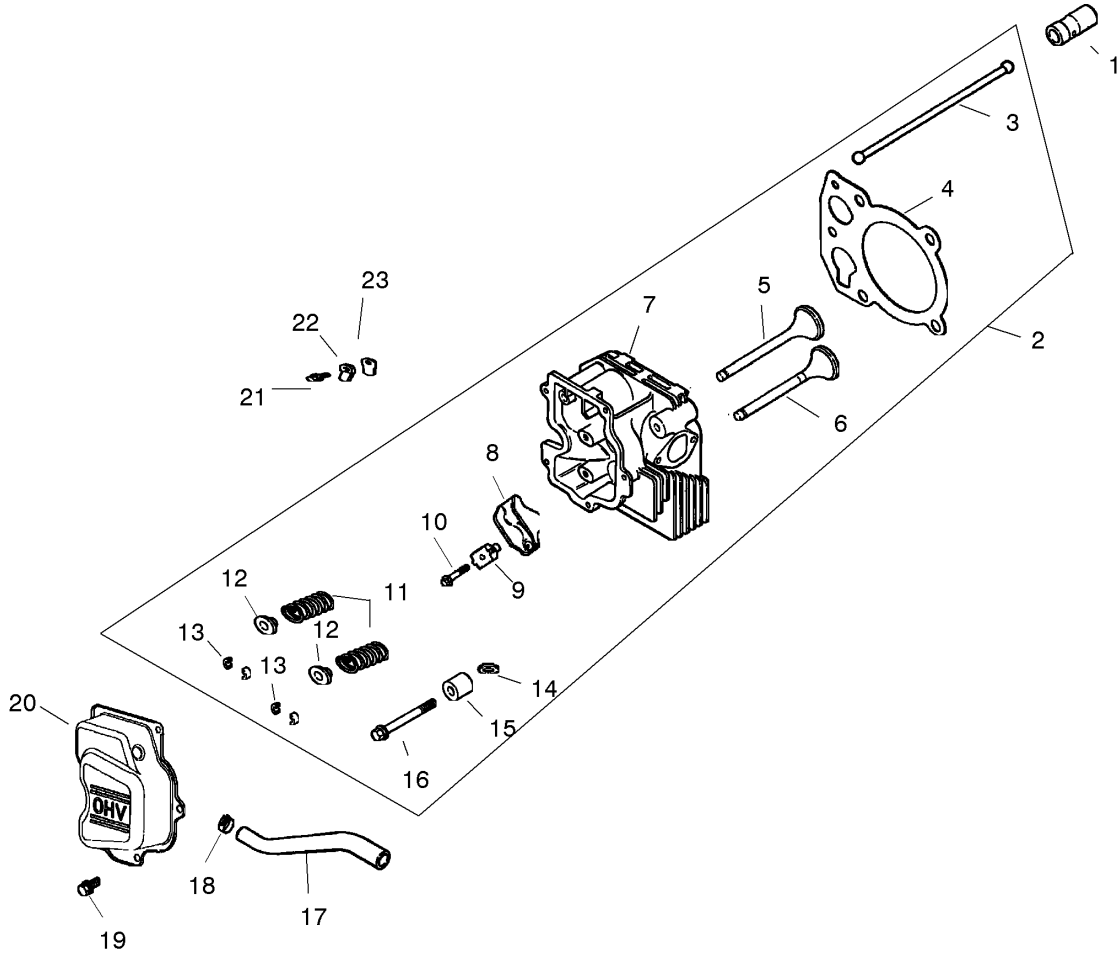
Crankcase Assembly Kohler CV460S-26518

Ref	Part No.	Qty.	Description	Ref	Part No.	Qty.	Description
1	12 032 03-S	1	Seal-Oil (Pto End)	1	12 108 03-S	1	Ring Set (.50)
2		1	Crankcase (Use: Short Block Or Miniblock)	13	12 067 11-S	1	Connecting Rod (Std.)
3	12 445 02-S	1	Strap-Lifting	14	12 067 12-S	1	Connecting Rod (.25)
4	M-839025-S	1	Screw-Hf, M8x1.25x25	15	12 380 01-S	1	Pin-Regulating, Governor
5	24 380 13-S	4	Pin-Locating	16	12 043 05-S	1	Gear-Governor
6	12 010 31-S	1	Camshaft ASM (Includes 7)	17	M-631005-S	1	Washer-Plain, 6mm
7	12 089 31-S	1	Spring-Actuating	18	12 144 02-S	1	Shaft-Gear, Governor
8	12 422 08-S	1	Shim-Camshaft, Blue	19	52 139 09-S	1	Plug-Cup
9	12 422 09-S	1	Shim-Camshaft, Red	20	12 755 64-S	1	Kit, Governor Cross Shaft W/clip (Includes 23)
10	12 422 10-S	1	Shim-Camshaft, Yellow	21	X-25-102-S	1	Washer-Plain, 1/4in
11	12 422 11-S	1	Shim-Camshaft, Green	22	12 032 01-S	1	Seal-Cross Shaft, Governor
12	12 422 12-S	1	Shim-Camshaft, Gray	23	M-631015-S	1	Washer-Plain, 6mm
13	12 422 13-S	1	Shim-Camshaft, Black		12 154 05-S	1	Clip-Pin, Hitch
14	12 422 07-S	1	Shim-Camshaft, White				
15	12 144 28-S	1	Shaft, Balance				
16	12 874 01-S	1	Piston W/ring Set (Std.) (Includes 11, 12)				
17	12 874 10-S	1	Piston W/ring Set (.08)				
18	12 874 02-S	1	Piston W/ring Set (.25)				
19	12 874 03-S	1	Piston W/ring Set (.50)				
20	12 018 02-S	2	Retainer-Pin, Piston (2)				
21	12 108 01-S	1	Ring Set (Std. And .08)				
22	12 108 02-S	1	Ring Set (.25)				



Oil Pan / Lubrication Assembly Kohler CV460S-26518

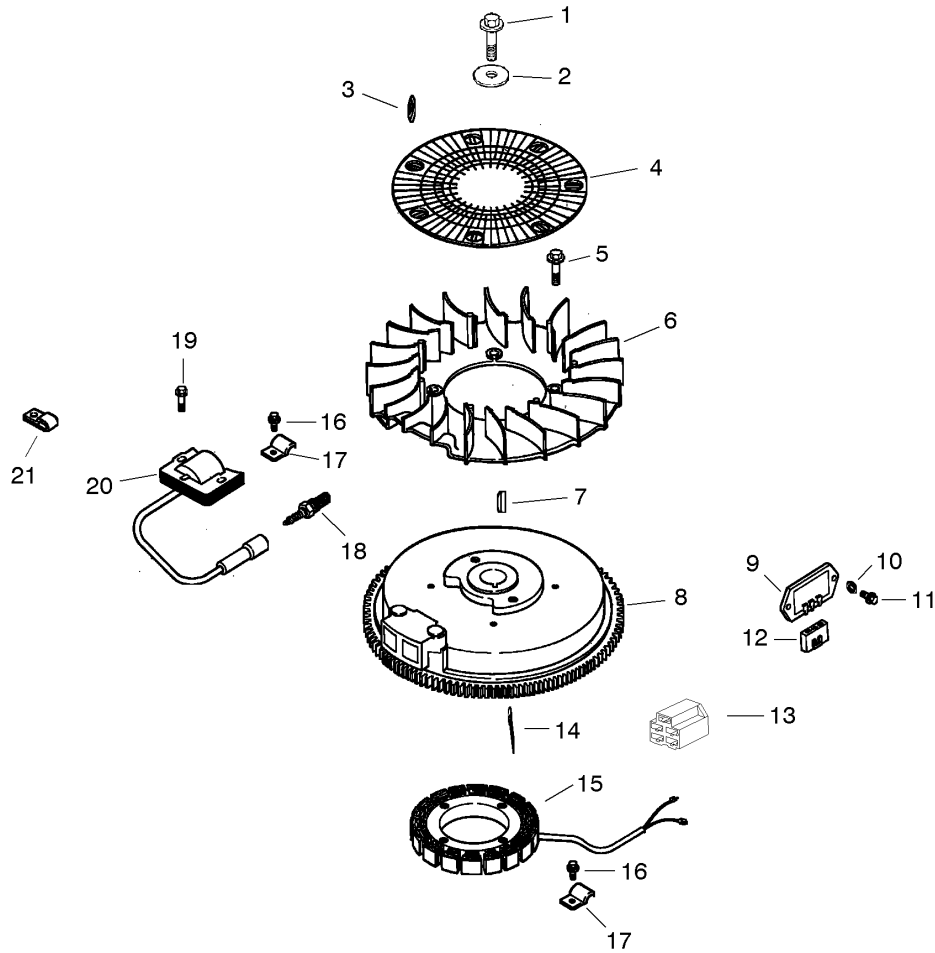
Ref	Part No.	Qty.	Description				
1	12 038 01-S	1	Dipstick ASM (Includes 2, 3)				
2	25 755 13-S	1	Kit, Oil Fill Cap (Includes 3)				
3	25 153 02-S	1	O Ring-Dipstick				
4	12 153 02-S	1	O Ring-Oil Fill Tube, Upper				
5	12 123 04-S	1	Tube-Fill, Oil				
6	M-645025-S	1	Screw-Hf, M6x1.0x20				
7	12 153 01-S	1	O Ring-Oil Fill Tube, Lower				
8	25 162 07-S	1	Screen-Pickup, Oil				
9	12 096 03-S	1	Cover-Screen, Oil Pickup				
10	M-545016-S	1	Screw-Hf, M5x0.8x16				
11	12 050 01-S	1	Filter, Oil				
12	12 199 50-S	1	Pan Asm, Oil (Includes 13, 16-19)				
13	25 462 09-S	1	Valve-Relief, Oil Pressure				
14	25 139 52-S	1	Plug-Pipe, 1/8in Square Head				
15	25 139 57-S	2	Plug-Pipe, 3/8in Square Head				
16	12 393 01-S	1	Oil Pump ASM				
17	12 153 06-S	1	O Ring-Pump Cover, Oil				
18	12 096 34-S	1	Cover-Pump, Oil				
19	M-545016-S	3	Screw-Hf, M5x0.8x16				
20	12 032 03-S	1	Seal-Oil (Pto End)				
21	24 086 16-S	11	Screw-Hf, M8x1.25x45				
22	24 086 17-S	1	Screw-Hf, M8x1.25x45				



Head / Valve / Breather Assembly Kohler VS460S-26518

Ref	Part No.	Qty.	Description
❶	25 351 01-S	2	Lifter-Valve
❷	12 755 97-S	1	Kit, Cylinder Head (Includes 3-17, Carburetor Gasket (2), Air Cleaner Base Gasket, Exhaust Manifold Gasket)
❸	12 411 05-S	2	Rod, Push
❹	12 041 08-S	1	Gasket, Cylinder Head
❺	12 017 01-S	1	Valve-Intake (Std.)
❻	12 016 01-S	1	Valve-Exhaust (Std.)
❼	12 318 50-S	1	Cylinder Head
❽	25 186 01-S	2	Arm-Rocker
❾	12 599 03-S	2	Pivot-Arm, Rocker
❿	M-640034-S	2	Screw-Hf, M6x1.0x34
⓫	12 089 34-S	2	Spring-Valve
⓬	12 173 01-S	2	Cap-Spring, Valve
⓭	12 755 03-S	2	Retainer Kit
⓮	12 468 05-S	1	Washer-Plain, 13/32in
⓯	12 112 13-S	1	Spacer-Exhaust Port, Head Bolt
⓰	20 086 02-S	5	Screw-Hf, M10x1.5x81
⓱	12 326 18-S	1	Hose-Breather
⓲	25 237 14-S	1	Clamp-Hose, 11/16in
⓳	M-645016-S	5	Screw-HF
⓴	12 096 47-S	1	Cover-Valve
⓵	M-545010-S	1	Screw-Hf, M5x0.8x10
⓶	12 018 01-S	1	Retainer, Breather Reed

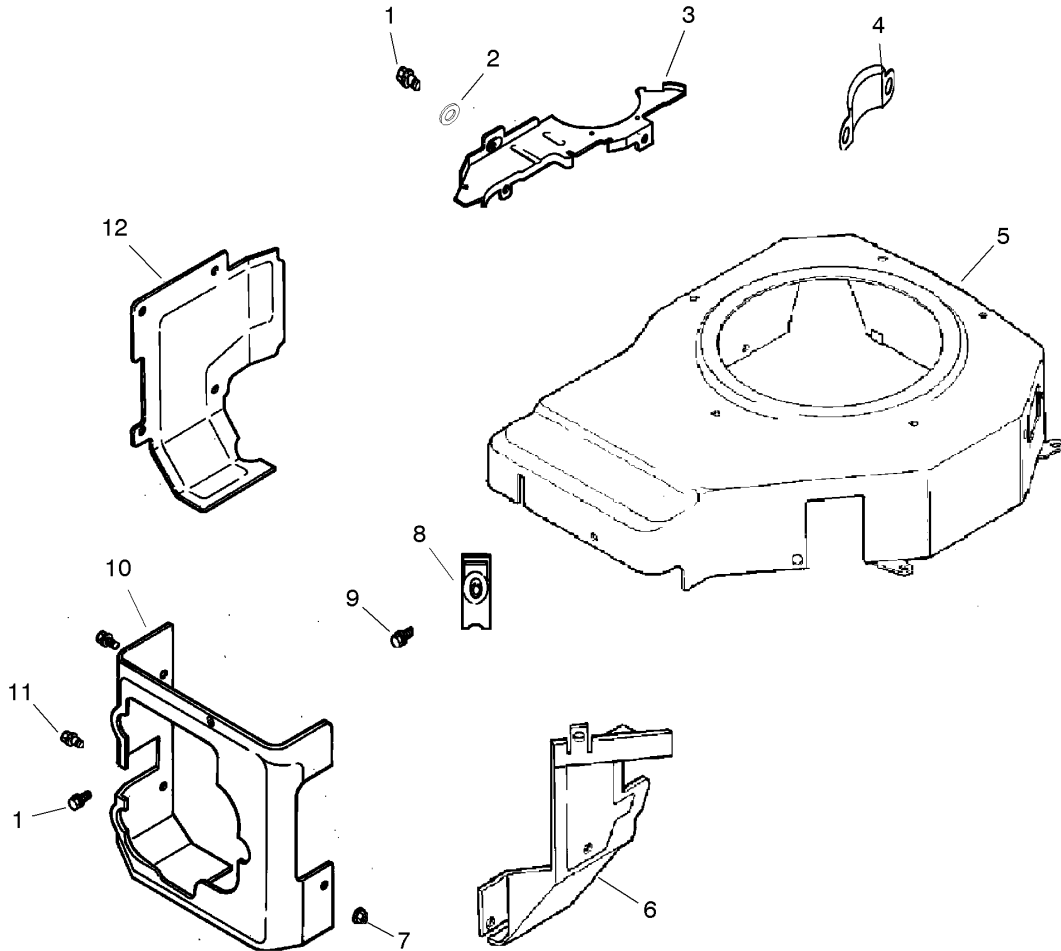
Ref	Part No.	Qty.	Description
⓷	12 402 02-S	1	Reed-Breather
⓸	12 017 02-S	1	Valve-Intake (.25)
⓹	12 016 02-S	1	Valve-Exhaust (.25)
⓺	12 041 01-S	2	Gasket-Carburetor
⓻	12 041 02-S	1	Gasket-Cleaner, Air
⓼	12 041 03-S	1	Gasket-Manifold, Exhaust



Ignition / Electrical Assembly Kohler CV460S-26518

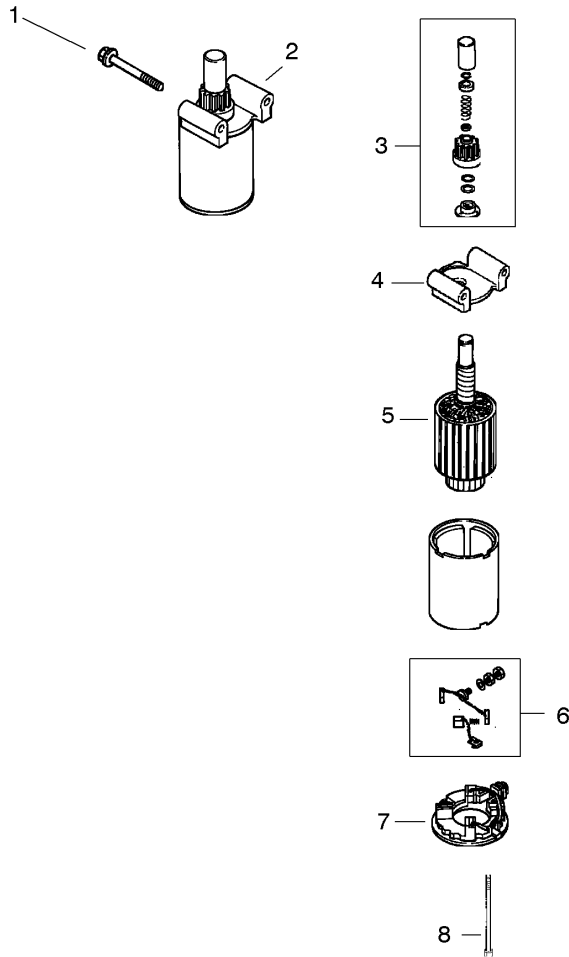
Ref	Part No.	Qty.	Description
1	12 086 14-S	1	Screw-Hf, M10x1.5x46
2	12 468 03-S	1	Washer-Plain, 3/8in
3	24 018 03-S	3	Retainer-Screen, Grass
4	24 162 03-S	1	Screen-Grass
5	25 086 47-S	4	Bolt, Shoulder M6x1.0x25
6	12 157 06-S	1	Fan
7	X-42-15-S	1	Key
8	12 025 15-S	1	Flywheel
9	41 403 09-S	1	Rectifier-Regulator
10	X-22-11-S	2	Washer-Lock, 1/4in
11	12 086 42-S	2	Screw, Hex. Flange M6x1.0x16
12	236602-S	1	Connector
13	48 155 01-S	1	Connector (5 Contact)
14	M-548025-S	2	Screw-Hex. Cap, M5x0.8x25
15	237878-S	1	Kit, Stator (Includes Terminal 25 452 01-S)
16	M-545010-S	2	Screw-Hf, M5x0.8x10
17	X-728-1-S	2	Clip-Cable
18	12 132 02-S	1	Spark Plug
19	M-545020-S	2	Screw-Hf, M5x0.8x20
20	12 584 04-S	1	Module-Ignition
21	12 154 07-S	2	Clip
13	25 452 01-S	2	Terminal

Ref	Part No.	Qty.	Description
13	12 518 01-S	1	Lead-White (19in 18 Gauge - Fully Insulated Female Terminal And Uninsulated Female Terminal)
13	24 518 12-S	1	Lead-Black (6in 12 Gauge - Insulated Grip Barrel Eyelet Terminal)
13	25 518 05-S	1	Lead-Red (20in 18 Gauge - Uninsulated Female Terminals)



Blower Housing Assembly Kohler CV460S-26518

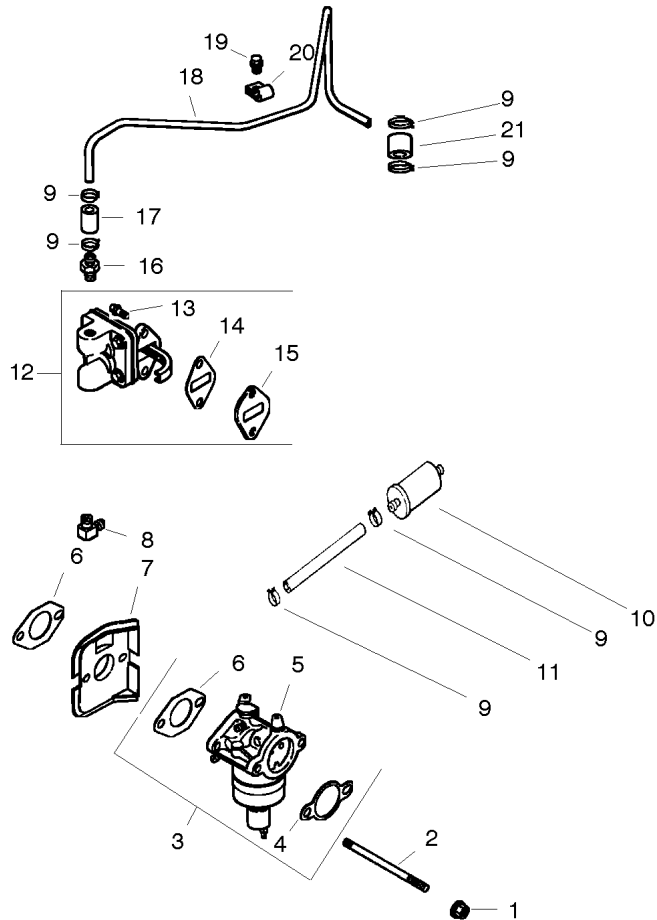
Ref	Part No.	Qty.	Description				
1	M-545010-S	6	Screw-Hf, M5x0.8x10				
2	24 468 10-S	1	Washer, Plain 1/4				
3	12 146 07-S	1	Plate-Housing, Blower				
4	24 096 05-S	1	Cover, Pinion				
5	12 027 55-S	1	Housing, Blower				
6	12 063 18-S	1	Baffle, Intake Side				
7	M-541050-S	1	Nut-Hex. Flange, M5x0.8x50				
8	25 154 02-S	3	Clip, Mounting				
9	M-645016-S	2	Screw-HF				
10	12 063 20-S	1	Baffle, Cylinder Head				
11	12 086 37-S	3	Screw, Captive Washer M5x0.8x20				
12	12 063 19-S	1	Baffle-Cylinder				



Starter Assembly Kohler CV460S-26518

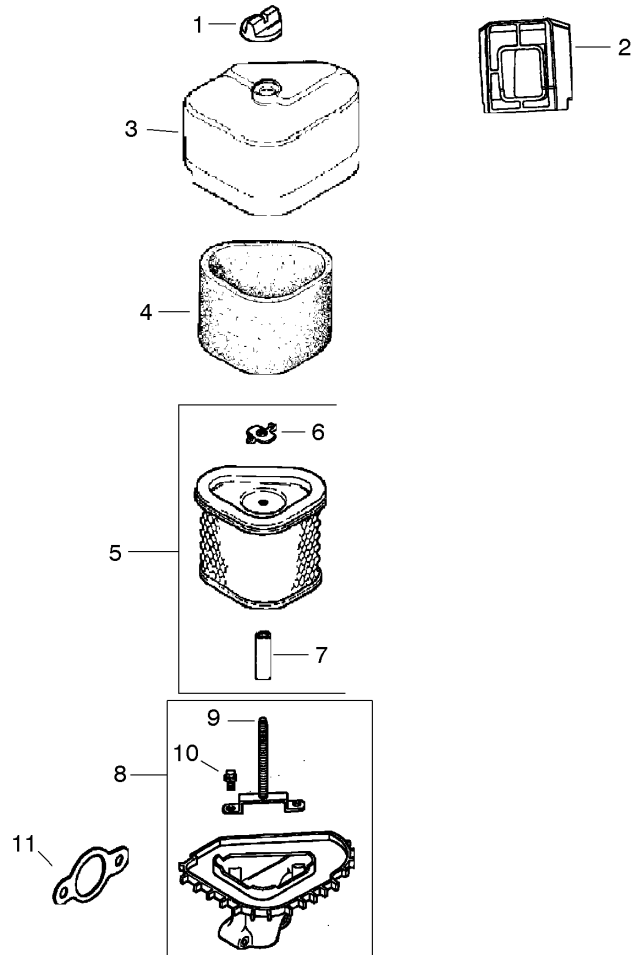
Ref	Part No.	Qty.	Description
1	M-839070-S	2	Screw-Hf, M8x1.25x70
2	12 098 22-S	1	Starter ASM (Includes 3-8)
3	12 755 53-S	1	Drive Kit
4	12 227 19-S	1	Cap-End, Drive
5	12 170 05-S	1	Armature
6	12 221 01-S	1	Brush ASM
7	12 227 13-S	1	Commutator, End Cap
8	12 211 01-S	2	Bolt

--	--	--	--



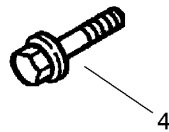
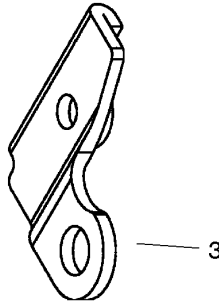
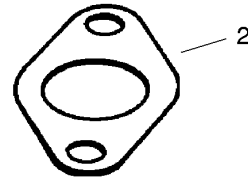
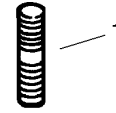
Fuel System Assembly Kohler Cv460S-26518

Ref	Part No.	Qty.	Description	Ref	Part No.	Qty.	Description
1	M-641060-S	2	Nut-Hf, M6x1.0	20	12 154 01-S	1	Clamp, Fuel Line
2	M-629116-S	2	Stud-M6x1.0x116	21	41 353 18-S	1	Line Fuel 2-1/2in
3	12 853 131-S	1	Kit, Carburetor W/gaskets (Includes 4, 5, 6 [qty. 1], Terminal 25 452 20-S, & Tie 12 454 03-S)		12 757 02-S	1	Float Kit
4	12 041 02-S	1	Gasket-Cleaner, Air		12 757 03-S	1	Carburetor Repair Kit
5	12 053 131	1	Carburetor ASM		12 757 33-S	1	Solenoid Repair Kit
		0	(For Information Only Not Available Separately) (Service With Kits: 12 757 02-S, 1275703-S, 12 757 33- S, And 12 757 37-S)		12 757 37-S	1	Bowl Replacement Kit
6	12 041 01-S	2	Gasket-Carburetor		12 518 24-S	1	Lead, Red (20" - 18 Gauge - Insulated Socket And Uninsulated Push On Tab Terminals)
7	12 265 06-S	1	Deflector, Heat		12 454 03-S	3	Tie, Wire
8	25 155 02-S	1	Connector, 90°		M-561010-S	1	Screw, Thread Forming M5x0.8x10
9	25 237 14-S	6	Clamp-Hose, 11/16in		X-22-11-S	1	Washer-Lock, 1/4in
10	25 050 07-S	1	Filter, Fuel				
11	25 353 02-S	1	Line, Fuel 3in				
12	12 559 01-S	1	Kit, Fuel Pump (Includes 13-15)				
13	M-645020-S	2	Screw-Hex. Flange, M6x1.0x20				
14	25 041 09-S	2	Gasket, Fuel Pump				
15	12 112 05-S	1	Spacer, Fuel Pump				
16	25 326 03-S	1	Connector, Straight Hose				
17	12 353 01-S	1	Line, Fuel 1-1/4in				
18	12 123 19-S	1	Line, Fuel - Metal				
19	M-545010-S	1	Screw-Hf, M5x0.8x10				



Air Intake / Filtration Assembly Kohler CV460S-26518

Ref	Part No.	Qty.	Description				
1	25 341 03-S	1	Knob-Cover				
2	12 281 02-S	1	Duct-Air				
3	12 096 44-S	1	Cover-Cleaner, Air				
4	12 083 12-S	1	Element-Precleaner				
5	12 083 10-S	1	Element, Air Cleaner (Includes 6,7)				
6	12 100 01-S	1	Nut-Wing				
7	12 032 11-S	1	Seal				
8	12 094 14-S	1	Base, Air Cleaner (Includes 9,10)				
9	12 072 04-S	1	Stud-M6x1.0x66				
10	12 086 01-S	2	Screw-Hi-Lo Thread Forming, No.10				
11	12 041 02-S	1	Gasket-Cleaner, Air				
13	12 113 04-S	1	Decal-Cleaner, Air				



Exhaust Assembly Kohler CV460S-26518

Ref	Part No.	Qty.	Description				
1	25 072 04-S	2	Stud-M8x1.25x33				
2	12 041 03-S	2	Gasket-Manifold, Exhaust				
3	12 126 87-S	1	Bracket, Lifting Strap				
4	M-645020-S	1	Screw-Hex. Flange, M6x1.0x20				
1	12 522 54	1	Short Block				
1	12 755 93-S	1	Gasket Set				

NOTES

NOTES

NOTES

