

DEWALT®



Instruction Manual
Guide D'utilisation
Manual de instrucciones

Mans.io

DCCS620

20V Cordless Chainsaw

Scie à chaîne sans fil 20 V

Sierra de cadena inalámbrica de 20 V

WWW.DEWALT.COM

If you have questions or comments, contact us.
Pour toute question ou tout commentaire, nous contacter.
Si tiene dudas o comentarios, contáctenos.

1-800-4-DEWALT

ENGLISH

English (***original instructions***)

1

Français (*traduction de la notice d'instructions originale*)

17

Español (*traducido de las instrucciones originales*)

35

Mans.io

Definitions: Safety Alert Symbols and Words

This instruction manual uses the following safety alert symbols and words to alert you to hazardous situations and your risk of personal injury or property damage.



DANGER: Indicates an imminently hazardous situation which, if not avoided, **will** result in **death or serious injury**.



WARNING: Indicates a potentially hazardous situation which, if not avoided, **could** result in **death or serious injury**.



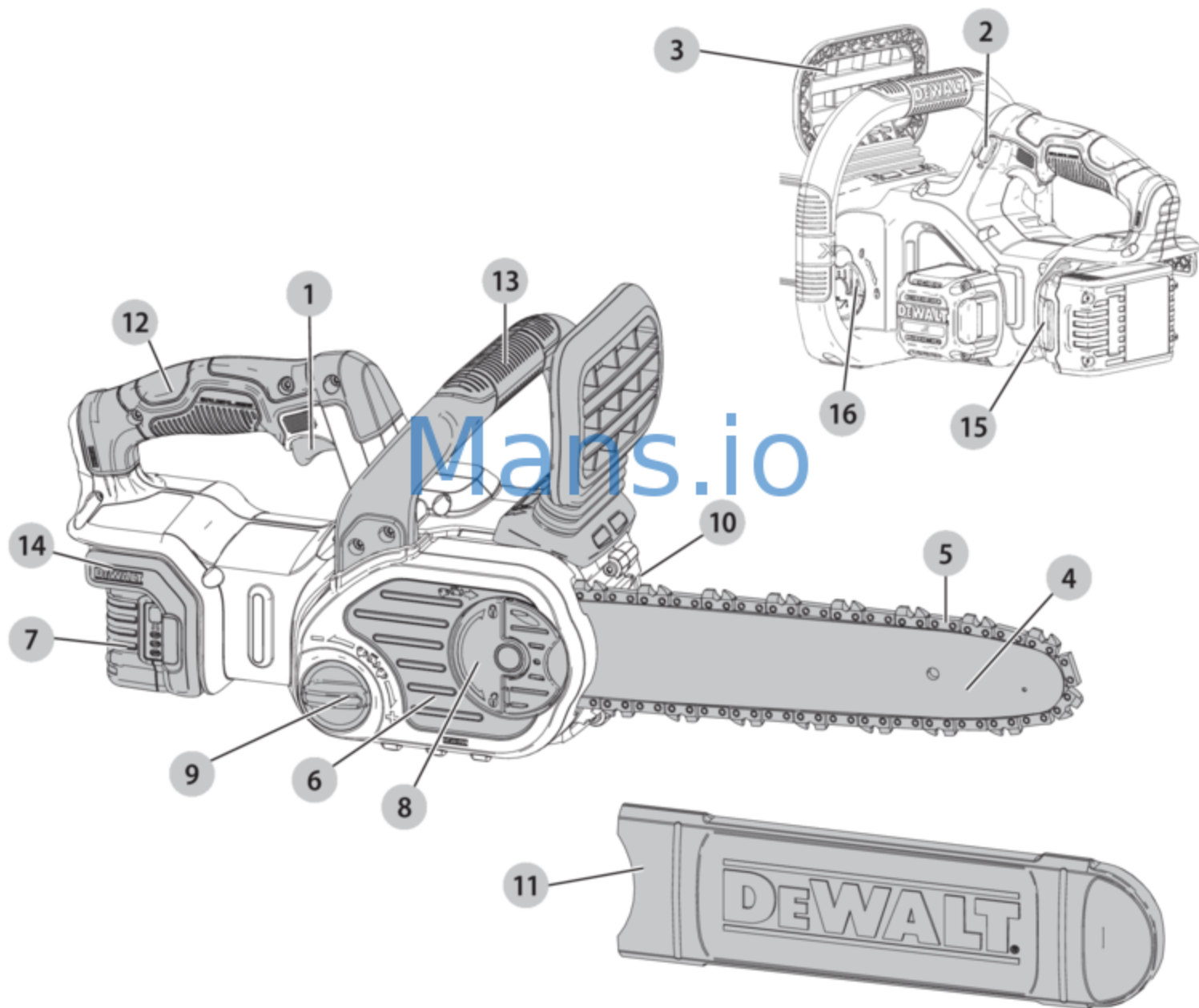
CAUTION: Indicates a potentially hazardous situation which, if not avoided, **may** result in **minor or moderate injury**.



(Used without word) Indicates a safety related message.

NOTICE: Indicates a practice **not related to personal injury** which, if not avoided, **may** result in **property damage**.

Fig. A



- | | |
|----------------------------------|-----------------------------|
| 1 ON/OFF trigger switch | 9 Chain tensioning knob |
| 2 Lock-off lever | 10 Oil level indicator |
| 3 Chain brake / front hand guard | 11 Guide bar scabbard guard |
| 4 Guide bar | 12 Rear handle |
| 5 Saw chain | 13 Front handle |
| 6 Sprocket cover | 14 Battery housing |
| 7 Battery Pack | 15 Battery release button |
| 8 Bar adjust locking knob | 16 Oil cap |



WARNING! Read all safety warnings and all instructions. Failure to follow the warnings and instructions may result in electric shock, fire and/or serious injury.



WARNING: To reduce the risk of injury, read the instruction manual.

If you have any questions or comments about this or any DEWALT tool, call us toll free at: 1-800-4-DEWALT (1-800-433-9258).

GENERAL POWER TOOL SAFETY WARNINGS



WARNING! Read all safety warnings and all instructions. Failure to follow the warnings and instructions may result in electric shock, fire and/or serious injury.

SAVE ALL WARNINGS AND INSTRUCTIONS FOR FUTURE REFERENCE

The term "power tool" in the warnings refers to your mains-operated (corded) power tool or battery-operated (cordless) power tool.

1) Work Area Safety

- a) **Keep work area clean and well lit.** Cluttered or dark areas invite accidents.
- b) **Do not operate power tools in explosive atmospheres, such as in the presence of flammable liquids, gases or dust.** Power tools create sparks which may ignite the dust or fumes.
- c) **Keep children and bystanders away while operating a power tool.** Distractions can cause you to lose control.

2) Electrical Safety

- a) **Power tool plugs must match the outlet. Never modify the plug in any way. Do not use any adapter plugs with earthed (grounded) power tools.** Unmodified plugs and matching outlets will reduce risk of electric shock.
- b) **Avoid body contact with earthed or grounded surfaces such as pipes, radiators, ranges and refrigerators.** There is an increased risk of electric shock if your body is earthed or grounded.
- c) **Do not expose power tools to rain or wet conditions.** Water entering a power tool will increase the risk of electric shock.
- d) **Do not abuse the cord. Never use the cord for carrying, pulling or unplugging the power tool. Keep cord away from heat, oil, sharp edges or moving parts.** Damaged or entangled cords increase the risk of electric shock.
- e) **When operating a power tool outdoors, use an extension cord suitable for outdoor use.** Use of a cord suitable for outdoor use reduces the risk of electric shock.
- f) **If operating a power tool in a damp location is unavoidable, use a ground fault circuit interrupter (GFCI) protected supply.** Use of a GFCI reduces the risk of electric shock.

3) Personal Safety

- a) **Stay alert, watch what you are doing and use common sense when operating a power tool. Do not use a power tool while you are tired or under the influence of drugs, alcohol or medication.** A moment of inattention while operating power tools may result in serious personal injury.

- b) **Use personal protective equipment. Always wear eye protection.** Protective equipment such as dust mask, non-skid safety shoes, hard hat, or hearing protection used for appropriate conditions will reduce personal injuries.
- c) **Prevent unintentional starting. Ensure the switch is in the off position before connecting to power source and/or battery pack, picking up or carrying the tool.** Carrying power tools with your finger on the switch or energizing power tools that have the switch on invites accidents.
- d) **Remove any adjusting key or wrench before turning the power tool on.** A wrench or a key left attached to a rotating part of the power tool may result in personal injury.
- e) **Do not overreach. Keep proper footing and balance at all times.** This enables better control of the power tool in unexpected situations.
- f) **Dress properly. Do not wear loose clothing or jewelry. Keep your hair, clothing and gloves away from moving parts.** Loose clothes, jewelry or long hair can be caught in moving parts.
- g) **If devices are provided for the connection of dust extraction and collection facilities, ensure these are connected and properly used.** Use of dust collection can reduce dust-related hazards.

4) Power Tool Use and Care

- a) **Do not force the power tool. Use the correct power tool for your application.** The correct power tool will do the job better and safer at the rate for which it was designed.
- b) **Do not use the power tool if the switch does not turn it on and off.** Any power tool that cannot be controlled with the switch is dangerous and must be repaired.
- c) **Disconnect the plug from the power source and/or the battery pack from the power tool before making any adjustments, changing accessories, or storing power tools.** Such preventive safety measures reduce the risk of starting the power tool accidentally.
- d) **Store idle power tools out of the reach of children and do not allow persons unfamiliar with the power tool or these instructions to operate the power tool.** Power tools are dangerous in the hands of untrained users.
- e) **Maintain power tools. Check for misalignment or binding of moving parts, breakage of parts and any other condition that may affect the power tool's operation. If damaged, have the power tool repaired before use.** Many accidents are caused by poorly maintained power tools.
- f) **Keep cutting tools sharp and clean.** Properly maintained cutting tools with sharp cutting edges are less likely to bind and are easier to control.
- g) **Use the power tool, accessories and tool bits, etc. in accordance with these instructions, taking**

into account the working conditions and the work to be performed. Use of the power tool for operations different from those intended could result in a hazardous situation.

5) Battery Tool Use and Care

- a) **Recharge only with the charger specified by the manufacturer.** A charger that is suitable for one type of battery pack may create a risk of fire when used with another battery pack.
- b) **Use power tools only with specifically designated battery packs.** Use of any other battery packs may create a risk of injury and fire.
- c) **When battery pack is not in use, keep it away from other metal objects, like paper clips, coins, keys, nails, screws, or other small metal objects, that can make a connection from one terminal to another.** Shorting the battery terminals together may cause burns or a fire.
- d) **Under abusive conditions, liquid may be ejected from the battery; avoid contact. If contact accidentally occurs, flush with water. If liquid contacts eyes, additionally seek medical help.** Liquid ejected from the battery may cause irritation or burns.

6) Service

- a) **Have your power tool serviced by a qualified repair person using only identical replacement parts.** This will ensure that the safety of the power tool is maintained.

Chain Saw Safety Warnings



WARNING: Additional safety warnings for chainsaws.

- **Keep all parts of the body away from the saw chain when the chain saw is operating. Before you start the chain saw, make sure the saw chain is not contacting anything.** A moment of inattention while operating chain saws may cause entanglement of your clothing or body with the saw chain.
- **Always hold the chain saw with your right hand on the rear handle and your left hand on the front handle.** Holding the chain saw with a reversed hand configuration increases the risk of personal injury and should never be done.
- **Hold the power tool by insulated gripping surfaces only, because the saw chain may contact hidden wiring.** Saw chains contacting a "live" wire may make exposed metal parts of the power tool "live" and could give the operator an electric shock.
- **Wear safety glasses and hearing protection. Further protective equipment for head, hands, legs and feet is recommended.** Adequate protective clothing will reduce personal injury by flying debris or accidental contact with the saw chain.
- **Do not operate a chain saw in a tree.** Operation of a chain saw while up in a tree may result in personal injury.

- **Always keep proper footing and operate the chain saw only when standing on fixed, secure and level surface.** Slippery or unstable surfaces such as ladders may cause a loss of balance or control of the chain saw.
- **When cutting a limb that is under tension be alert for spring back.** When the tension in the wood fibers is released the spring loaded limb may strike the operator and/or throw the chain saw out of control.
- **Use extreme caution when cutting brush and saplings.** The slender material may catch the saw chain and be whipped toward you or pull you off balance.
- **Carry the chain saw by the front handle with the chain saw switched off and away from your body. When transporting or storing the chain saw always fit the guide bar cover.** Proper handling of the chain saw will reduce the likelihood of accidental contact with the moving saw chain.
- **Follow instructions for lubricating, chain tensioning and changing accessories.** Improperly tensioned or lubricated chain may either break or increase the chance for kickback.
- **Keep handles dry, clean, and free from oil and grease.** Greasy, oily handles are slippery causing loss of control.
- **Cut wood only. Do not use chain saw for purposes not intended. For example: do not use chain saw for cutting plastic, masonry or non-wood building materials.** Use of the chain saw for operations different than intended could result in a hazardous situation.

Causes and Operator Prevention of Kickback:

Kickback may occur when the nose or tip of the guide bar touches an object, or when the wood closes in and pinches the saw chain in the cut.

Tip contact in some cases may cause a sudden reverse reaction, kicking the guide bar up and back towards the operator.

Pinching the saw chain along the top of the guide bar may push the guide bar rapidly back towards the operator.

Either of these reactions may cause you to lose control of the saw which could result in serious personal injury. Do not rely exclusively upon the safety devices built into your saw. As a chain saw user, you should take several steps to keep your cutting jobs free from accident or injury.

Kickback is the result of tool misuse and/or incorrect operating procedures or conditions and can be avoided by taking proper precautions as given below:

- **Maintain a firm grip, with thumbs and fingers encircling the chain saw handles, with both hands on the saw and position your body and arm to allow you to resist kickback forces.** Kickback forces can be controlled by the operator, if proper precautions are taken. Do not let go of the chain saw.
- **Do not overreach and do not cut above shoulder height.** This helps prevent unintended tip contact

ENGLISH

and enables better control of the chain saw in unexpected situations.

- **Only use replacement bars and chains specified by the manufacturer.** Incorrect replacement bars and chains may cause chain breakage and/or kickback.
- **Follow the manufacturer's sharpening and maintenance instructions for the saw chain.** Decreasing the depth gauge height can lead to increased kickback.

Kickback Safety Features

-  **WARNING:** The following features are included on your saw to help reduce the hazard of kickback; however such features will not totally eliminate this dangerous reaction. As a chain saw user do not rely only on safety devices. You must follow all safety precautions, instructions, and maintenance in this manual to help avoid kickback and other forces which can result in serious injury.
- **Reduced-Kickback Guide Bar**, designed with a small radius tip which reduces the size of the kickback danger zone on bar tip. A reduced - kickback guide bar is one which has been demonstrated to significantly reduce the number and seriousness of kickbacks when tested in accordance with safety requirements for electric chain saws.
- **Low-Kickback Chain**, designed with a contoured depth gauge and guard link which deflect kickback force and allow wood to gradually ride into the cutter. A low-kickback chain is a chain which has met kickback performance requirements of ANSI B175.1–2012.

Chainsaw Names and Terms


- **Bucking** - The process of cross cutting a felled tree or log into lengths.
- **Motor Brake** - A device used to stop the saw chain when the trigger is released.
- **Chain Saw Powerhead** - A chain saw without the saw chain and guide bar.
- **Drive Sprocket or Sprocket** - The toothed part that drives the saw chain.
- **Felling** - The process of cutting down a tree.
- **Felling Back Cut** - The final cut in a tree felling operation made on the opposite side of the tree from the notching cut.
- **Front Handle** - The support handle located at or toward the front of the chain saw.
- **Front Hand Guard** - A structural barrier between the front handle of a chain saw and the guide bar, typically located close to the hand position on the front handle.
- **Guide Bar** - A solid railed structure that supports and guides the saw chain.
- **Guide Bar Scabbard** - Enclosure fitted over guide bar to prevent tooth contact when saw is not in use.
- **Kickback** - The backward or upward motion, or both of the guide bar occurring when the saw chain near the nose of the top area of the guide bar contacts any object such as a log or branch, or when the wood closes in and pinches the saw chain in the cut.

- **Kickback, Pinch** - The rapid pushback of the saw which can occur when the wood closes in and pinches the moving saw chain in the cut along the top of the guide bar.
- **Kickback, Rotational** - The rapid upward and backward motion of the saw which can occur when the moving saw chain near the upper portion of the tip of the guide bar contacts an object, such as a log or branch.
- **Limbing** - Removing the branches from a fallen tree
- **Low-Kickback Chain** - A chain that complies with the kickback performance requirements of ANSI B175.1–2012 (when tested on a representative sample of chain saws.)
- **Normal Cutting Position** - Those positions assumed in performing the bucking and felling cuts.
- **Notching Undercut** - A notch cut in a tree that directs the tree's fall.
- **Rear Handle** - The support handle located at or toward the rear of the saw.
- **Reduced Kickback Guide Bar** - A guide bar which has been demonstrated to reduce kickback significantly.
- **Replacement Saw Chain** - A chain that complies with kickback performance requirements of ANSI B175.1–2000 when tested with specific chain saws. It may not meet the ANSI performance requirements when used with other saws.
- **Saw Chain** - A loop of chain having cutting teeth, that cut the wood, and that is driven by the motor and is supported by the guide bar.
- **Ribbed Bumper** - The ribs used when felling or bucking to pivot the saw and maintain position while sawing.
- **Switch** - A device that when operated will complete or interrupt an electrical power circuit to the motor of the chain saw.
- **Switch Linkage** - The mechanism that transmits motion from a trigger to the switch.
- **Switch Lockout** - A movable stop that prevents the unintentional operation of the switch until manually actuated.

Additional Safety Information

-  **WARNING: ALWAYS** use safety glasses. Everyday eyeglasses are NOT safety glasses. Also use face or dust mask if cutting operation is dusty. ALWAYS WEAR CERTIFIED SAFETY EQUIPMENT:


- ANSI Z87.1 eye protection (CAN/CSA Z94.3),
- ANSI S12.6 (S3.19) hearing protection,
- NIOSH/OSHA/MSHA respiratory protection.

-  **WARNING:** Some dust created by power sanding, sawing, grinding, drilling, and other construction activities contains chemicals known to the State of California to cause cancer, birth defects or other reproductive harm. Some examples of these chemicals are:


- lead from lead-based paints,
- crystalline silica from bricks and cement and other masonry products, and
- arsenic and chromium from chemically-treated lumber.

Your risk from these exposures varies, depending on how often you do this type of work. To reduce your exposure to these chemicals: work in a well ventilated area, and work with approved safety equipment, such as those dust masks that are specially designed to filter out microscopic particles.

- **Avoid prolonged contact with dust from power sanding, sawing, grinding, drilling, and other construction activities. Wear protective clothing and wash exposed areas with soap and water.** Allowing dust to get into your mouth, eyes, or lay on the skin may promote absorption of harmful chemicals.


 **WARNING:** Use of this tool can generate and/or disperse dust, which may cause serious and permanent respiratory or other injury. Always use NIOSH/OSHA approved respiratory protection appropriate for the dust exposure. Direct particles away from face and body.
















 **WARNING:** Always wear proper personal hearing protection that conforms to ANSI S12.6 (S3.19) during use. Under some conditions and duration of use, noise from this product may contribute to hearing loss.

 **CAUTION:** When not in use, place tool on its side on a stable surface where it will not cause a tripping or falling hazard. Some tools with large battery packs will stand upright on the battery pack but may be easily knocked over.

- **Air vents often cover moving parts and should be avoided.** Loose clothes, jewelry or long hair can be caught in moving parts.
- **Keep the working area free from obstructions such as other trees, branches, rocks, fences, stumps, etc.** Eliminate or avoid any obstruction that your saw chain could hit while you are cutting through a particular log or branch.
- **Cut one log at a time.**
- **Use extreme caution when re-entering a previous cut.** Engage ribbed bumpers into wood and allow chain to reach full speed before proceeding with cut.
- **Do not attempt plunge cuts or bore cuts.**
- **Watch for shifting logs or other forces that could close a cut and pinch or fall into chain.**
- **Do not attempt operations beyond your capacity or experience.** Read thoroughly and understand completely all instructions in this manual.
- **Do not operate a chain saw with one hand!** Serious injury to the operator, helpers, or bystanders may result from one handed operation. A chain saw is intended for two-handed use only.
- **Stop the chain saw before setting it down.**

The label on your tool may include the following symbols. The symbols and their definitions are as follows:

V	volts	.../min.....	per minute
Hz	hertz	BPM.....	beats per minute
min	minutes	IPM.....	impacts per minute
— or DC.....	direct current	RPM.....	revolutions per minute
	Class I Construction (grounded)		


sfpm	surface feet per minute	n	rated speed
SPM	strokes per minute		earthing terminal
A	amperes		safety alert symbol
W	watts		visible radiation
 or AC.....	alternating current		wear respiratory protection
 or AC/DC....	alternating or direct current		wear eye protection
	Class II Construction (double insulated)		wear hearing protection
n ₀	no load speed		read all documentation
CSPM	Cut strokes per minute		Contact of the guide bar tip with any object should be avoided
	Do not leave in rain		Rotational direction of the saw chain
	Tip contact can cause the guide bar to move suddenly upward and backward, which can cause serious injury		Always use two hands when operating the chainsaw

BATTERIES AND CHARGERS

The battery pack is not fully charged out of the carton. Before using the battery pack and charger, read the safety instructions below and then follow charging procedures outlined. When ordering replacement battery packs, be sure to include the catalog number and voltage. Your tool uses a DEWALT charger. Be sure to read all safety instructions before using your charger. Consult the chart at the end of this manual for compatibility of chargers and battery packs.

READ ALL INSTRUCTIONS

Important Safety Instructions for All Battery Packs

 **WARNING:** Read all safety warnings and all instructions for the battery pack, charger and power tool. Failure to follow the warnings and instructions may result in electric shock, fire and/or serious injury.

- **Do not charge or use the battery pack in explosive atmospheres, such as in the presence of flammable liquids, gases or dust.** Inserting or removing the battery pack from the charger may ignite the dust or fumes.
- **NEVER force the battery pack into the charger. DO NOT modify the battery pack in any way to fit into a non-compatible charger as battery pack may rupture causing serious personal injury.** Consult the chart at the end of this manual for compatibility of batteries and chargers.
- Charge the battery packs only in designated DEWALT chargers.
- **DO NOT splash or immerse in water or other liquids.**

ENGLISH

- **Do not store or use the tool and battery pack in locations where the temperature may reach or exceed 104 °F (40 °C) (such as outside sheds or metal buildings in summer).** For best life store battery packs in a cool, dry location.

NOTE: Do not store the battery packs in a tool with the trigger switch locked on. Never tape the trigger switch in the ON position.

- **Do not incinerate the battery pack even if it is severely damaged or is completely worn out.** The battery pack can explode in a fire. Toxic fumes and materials are created when lithium ion battery packs are burned.
- **If battery contents come into contact with the skin, immediately wash area with mild soap and water.** If battery liquid gets into the eye, rinse water over the open eye for 15 minutes or until irritation ceases. If medical attention is needed, the battery electrolyte is composed of a mixture of liquid organic carbonates and lithium salts.
- **Contents of opened battery cells may cause respiratory irritation.** Provide fresh air. If symptoms persist, seek medical attention.

WARNING: Burn hazard. Battery liquid may be flammable if exposed to spark or flame.

WARNING: Fire hazard. Never attempt to open the battery pack for any reason. If the battery pack case is cracked or damaged, do not insert into the charger. Do not crush, drop or damage the battery pack. Do not use a battery pack or charger that has received a sharp blow, been dropped, run over or damaged in any way (e.g., pierced with a nail, hit with a hammer, stepped on). Damaged battery packs should be returned to the service center for recycling.

Transportation

WARNING: Fire hazard. Do not store or carry the battery pack so that metal objects can contact exposed battery terminals. For example, do not place the battery pack in aprons, pockets, tool boxes, product kit boxes, drawers, etc., with loose nails, screws, keys, etc. **Transporting batteries can possibly cause fires if the battery terminals inadvertently come in contact with conductive materials such as keys, coins, hand tools and the like.** The US Department of Transportation Hazardous Material Regulations (HMR) actually prohibit transporting batteries in commerce or on airplanes in carry-on baggage UNLESS they are properly protected from short circuits. So when transporting individual battery packs, make sure that the battery terminals are protected and well insulated from materials that could contact them and cause a short circuit.

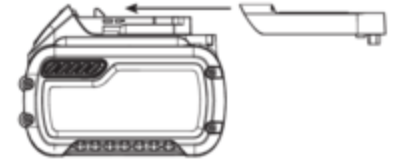
Shipping the DeWALT FLEXVOLT™ Battery

The DeWALT FLEXVOLT™ battery has two modes: **Use** and **Shipping**.

Use Mode: When the FLEXVOLT™ battery stands alone or is in a DeWALT 20V Max* product, it will operate as a 20V Max* battery. When the FLEXVOLT™ battery is in a 60V Max* or a

120V Max* (two 60V Max* batteries) product, it will operate as a 60V Max* battery.

Shipping Mode: When the cap is attached to the FLEXVOLT™ battery, the battery is in Shipping Mode.



Strings of cells are electrically disconnected within the pack resulting in three batteries with a lower Watt hour (Wh) rating as compared to one battery with a higher Watt hour rating. This increased quantity of three batteries with the lower Watt hour rating can exempt the pack from certain shipping regulations that are imposed upon the higher Watt hour batteries.

The battery label indicates two Watt hour ratings (see example). Depending on how the battery is shipped, the appropriate Watt hour rating must be used to determine the applicable shipping requirements. If utilizing the shipping cap, the pack will be considered 3 batteries at the Watt hour rating indicated for "Shipping". If shipping without the cap or in a tool, the pack will be considered one battery at the Watt hour rating indicated next to "Use".

Example of Use and Shipping Label Marking

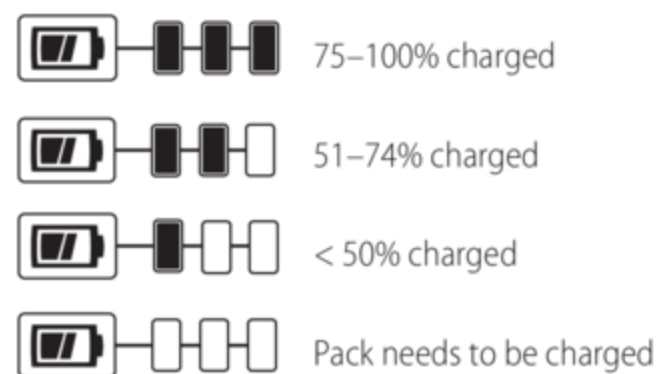
USE: 120 Wh Shipping: 3 x 40 Wh

For example, Shipping Wh rating might indicate 3 x 40 Wh, meaning 3 batteries of 40 Watt hours each. The Use Wh rating might indicate 120 Wh (1 battery implied).

Fuel Gauge Battery Packs (Fig. B)

Some DeWALT battery packs include a fuel gauge which consists of three green LED lights that indicate the level of charge remaining in the battery pack.

The fuel gauge is an indication of approximate levels of charge remaining in the battery pack according to the following indicators:



To actuate the fuel gauge, press and hold the fuel gauge button. A combination of the three green LED lights will illuminate designating the level of charge left. When the level of charge in the battery is below the usable limit, the fuel gauge will not illuminate and the battery will need to be recharged.

Fig. B



NOTE: The fuel gauge is only an indication of the charge left on the battery pack. It does not indicate tool functionality and is subject to variation based on product components, temperature and end-user application.

For more information regarding fuel gauge battery packs, please contact call 1-800-4-DEWALT (1-800-433-9258) or visit our website www.dewalt.com.

The RBRC® Seal

The RBRC® (Rechargeable Battery Recycling Corporation) Seal on the nickel cadmium, nickel metal hydride or lithium-ion batteries (or battery packs) indicates that the costs to recycle these batteries (or battery packs) at the end of their useful life have already been paid by DEWALT. In some areas, it is illegal to place spent nickel cadmium, nickel metal hydride or lithium-ion batteries in the trash or municipal solid waste stream and the Call 2 Recycle® program provides an environmentally conscious alternative.



Call 2 Recycle, Inc., in cooperation with DEWALT and other battery users, has established the program in the United States and Canada to facilitate the collection of spent nickel cadmium, nickel metal hydride or lithium-ion batteries. Help protect our environment and conserve natural resources by returning the spent nickel cadmium, nickel metal hydride or lithium-ion batteries to an authorized DEWALT service center or to your local retailer for recycling. You may also contact your local recycling center for information on where to drop off the spent battery. RBRC® is a registered trademark of Call 2 Recycle, Inc.

Important Safety Instructions for All Battery Chargers

⚠ WARNING: Read all safety warnings and all instructions for the battery pack, charger and power tool. Failure to follow the warnings and instructions may result in electric shock, fire and/or serious injury.

- **DO NOT attempt to charge the battery pack with any chargers other than the ones in this manual.** The charger and battery pack are specifically designed to work together.
- **These chargers are not intended for any uses other than charging DEWALT rechargeable batteries.** Any other uses may result in risk of fire, electric shock or electrocution.
- **Do not expose the charger to rain or snow.**
- **Pull by the plug rather than the cord when disconnecting the charger.** This will reduce the risk of damage to the electric plug and cord.
- **Make sure that the cord is located so that it will not be stepped on, tripped over or otherwise subjected to damage or stress.**
- **Do not use an extension cord unless it is absolutely necessary.** Use of improper extension cord could result in risk of fire, electric shock or electrocution.
- **When operating a charger outdoors, always provide a dry location and use an extension cord suitable for outdoor use.** Use of a cord suitable for outdoor use reduces the risk of electric shock.

- **An extension cord must have adequate wire size (AWG or American Wire Gauge) for safety.** The smaller the gauge number of the wire, the greater the capacity of the cable, that is, 16 gauge has more capacity than 18 gauge. An undersized cord will cause a drop in line voltage resulting in loss of power and overheating. When using more than one extension to make up the total length, be sure each individual extension contains at least the minimum wire size. The following table shows the correct size to use depending on cord length and nameplate ampere rating. If in doubt, use the next heavier gauge. The lower the gauge number, the heavier the cord.

Minimum Gauge for Cord Sets

Volts	Total Length of Cord in Feet (meters)				
	25 (7.6)	50 (15.2)	100 (30.5)	150 (45.7)	
120 V	25 (7.6)	50 (15.2)	100 (30.5)	150 (45.7)	
240 V	50 (15.2)	100 (30.5)	200 (61.0)	300 (91.4)	
Ampere Rating		American Wire Gauge			
More Than	Not More Than				
0	6	18	16	16	14
6	10	18	16	14	12
10	12	16	16	14	12
12	16	14	12	Not Recommended	

- **Do not place any object on top of the charger or place the charger on a soft surface that might block the ventilation slots and result in excessive internal heat.** Place the charger in a position away from any heat source. The charger is ventilated through slots in the top and the bottom of the housing.
- **Do not operate the charger with a damaged cord or plug.**
- **Do not operate the charger if it has received a sharp blow, been dropped or otherwise damaged in any way.** Take it to an authorized service center.
- **Do not disassemble the charger; take it to an authorized service center when service or repair is required.** Incorrect reassembly may result in a risk of electric shock, electrocution or fire.
- **Disconnect the charger from the outlet before attempting any cleaning. This will reduce the risk of electric shock.** Removing the battery pack will not reduce this risk.
- **NEVER attempt to connect 2 chargers together.**
- **The charger is designed to operate on standard 120V household electrical power. Do not attempt to use it on any other voltage.** This does not apply to the vehicular charger.

⚡ WARNING: Shock hazard. Do not allow any liquid to get inside the charger. Electric shock may result.

⚠ WARNING: Burn hazard. Do not submerge the battery pack in any liquid or allow any liquid to enter the battery pack. Never attempt to open the battery pack for any reason. If the plastic housing of the battery pack breaks or cracks, return to a service center for recycling.

⚠ CAUTION: Burn hazard. To reduce the risk of injury, charge only DEWALT rechargeable battery packs.

ENGLISH

Other types of batteries may overheat and burst resulting in personal injury and property damage.

NOTICE: Under certain conditions, with the charger plugged into the power supply, the charger can be shorted by foreign material. Foreign materials of a conductive nature, such as, but not limited to, grinding dust, metal chips, steel wool, aluminum foil or any buildup of metallic particles should be kept away from the charger cavities. Always unplug the charger from the power supply when there is no battery pack in the cavity. Unplug the charger before attempting to clean.

Wireless Certifications and Safety Information

- This device is CAN ICES-3(B)/NMB-3(B) compliant.
- This device complies with Part 15 of the FCC rules and Industry Canada License-exempt RSS standard(s). Operation is subject to the following two conditions:
 - This device may not cause harmful interference, and
 - This device must accept any interference received, including interference that may cause undesired operation.

This equipment has been tested and found to comply with the limits for a Class B digital device, pursuant to Part 15 of the FCC Rules. These limits are designed to provide reasonable protection against harmful interference in a residential installation. This equipment generates, uses and can radiate radio frequency energy and, if not installed and used in accordance with the instructions, may cause harmful interference to radio communications. However, there is no guarantee that interference will not occur in a particular installation. If this equipment does cause harmful interference to radio or television reception, which can be determined by turning the equipment off and on, the user is encouraged to try to correct the interference by one or more of the following measures:

- Reorient or relocate the receiving antenna.
- Increase the separation between the equipment and adaptor.
- Connect the equipment into an outlet on a circuit different from that to which the adaptor is connected.
- Consult the dealer or an experienced radio/TV technician for help.
- Changes or modifications to this equipment not expressly approved by the manufacturer could void the user's authority to operate the device. This Class B digital apparatus complies with Canadian ICES-003.
- Under Industry Canada regulations, this radio transmitter may only operate using an antenna of a type and maximum (or lesser) gain approved for the transmitter by Industry Canada. To reduce potential radio interference to other users, the antenna type and its gain should be so chosen that the equivalent isotropically radiated power (e.i.r.p.) is not more than that necessary for successful communication.
- To comply with FCC and Industry Canada RF radiation exposure limits for general population, the antenna used for this device must not be co-located or operating in conjunction with any other antenna or transmitter.

For Bluetooth® Products

- When traveling on airlines, be sure to comply with the airline restrictions on usage of personal electronic devices and Bluetooth®.
- The out of range alert feature has been designed to act as an aid to warn against products getting misplaced or stolen. It is not a security system.
- The connectivity range is up to 100 feet (30.5 meters) depending on environment and location.
- The shortwave radio frequency signals of a Bluetooth® device may impair the operation of other electronic and medical devices (such as pacemakers or hearing aids).

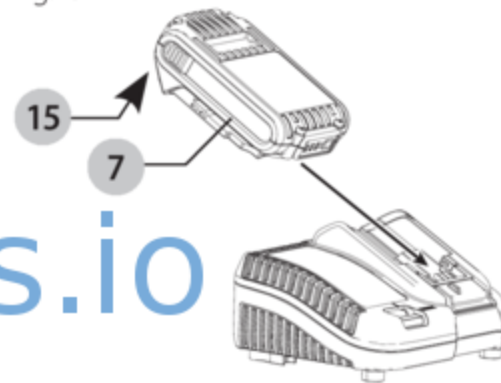
NOTE: The Bluetooth® word mark and logos are registered trademarks owned by the Bluetooth®, SIG, Inc. and any use of such marks by DEWALT is under license. Other trademarks and trade names are those of their respective owners.

This product complies with these standards when operated with a 6 foot (1.8 meters) or shorter extension cord.

Charging a Battery (Fig. C)

1. Plug the charger into an appropriate outlet before inserting battery pack.

Fig. C









2. Insert the battery pack **7** into the charger, making sure the battery pack is fully seated in the charger. The red (charging) light will blink continuously indicating that the charging process has started.
3. The completion of charge will be indicated by the red light remaining ON continuously. The battery pack is fully charged and may be used at this time or left in the charger. To remove the battery pack from the charger, push the battery release button **15** on the battery pack.

NOTE: To ensure maximum performance and life of lithium-ion battery packs, charge the battery pack fully before first use.

Charger Operation

Refer to the indicators below for the charge status of the battery pack.

DCB107, DCB112, DCB113, DCB115, DCB118, DCB132		
	Charging	
	Fully Charged	
	Hot/Cold Pack Delay*	

***DCB107, DCB112, DCB113, DCB115, DCB118, DCB132:**

The red light will continue to blink, but a yellow indicator light will be illuminated during this operation. Once the battery pack has reached an appropriate temperature, the

yellow light will turn off and the charger will resume the charging procedure.

The compatible charger(s) will not charge a faulty battery pack. The charger will indicate faulty battery pack by refusing to light or by displaying a problem pack or charger blink pattern.

NOTE: This could also mean a problem with a charger.

If the charger indicates a problem, take the charger and battery pack to be tested at an authorized service center.

Hot/Cold Pack Delay

When the charger detects a battery pack that is too hot or too cold, it automatically starts a Hot/Cold Pack Delay, suspending charging until the battery pack has reached an appropriate temperature. The charger then automatically switches to the pack charging mode. This feature ensures maximum battery pack life.

A cold battery pack will charge at a slower rate than a warm battery pack. The battery pack will charge at that slower rate throughout the entire charging cycle and will not return to maximum charge rate even if the battery pack warms.

The DCB118 charger is equipped with an internal fan designed to cool the battery pack. The fan will turn on automatically when the battery pack needs to be cooled.

Never operate the charger if the fan does not operate properly or if ventilation slots are blocked. Do not permit foreign objects to enter the interior of the charger.

Electronic Protection System

Li-Ion tools are designed with an Electronic Protection System that will protect the battery pack against overloading, overheating or deep discharge.

The tool will automatically turn off if the Electronic Protection System engages. If this occurs, place the lithium-ion battery pack on the charger until it is fully charged.

Wall Mounting

DCB107, DCB112, DCB113, DCB115, DCB118, DCB132

These chargers are designed to be wall mountable or to sit upright on a table or work surface. If wall mounting, locate the charger within reach of an electrical outlet, and away from a corner or other obstructions which may impede air flow. Use the back of the charger as a template for the location of the mounting screws on the wall. Mount the charger securely using drywall screws (purchased separately) at least 1" (25.4 mm) long, with a screw head diameter of 0.28–0.35" (7–9 mm), screwed into wood to an optimal depth leaving approximately 7/32" (5.5 mm) of the screw exposed. Align the slots on the back of the charger with the exposed screws and fully engage them in the slots.

Charger Cleaning Instructions



WARNING: Shock hazard. Disconnect the charger from the AC outlet before cleaning. Dirt and grease may be removed from the exterior of the charger using a cloth or soft non-metallic brush. Do not use water or any cleaning solutions.

Important Charging Notes

1. Longest life and best performance can be obtained if the battery pack is charged when the air temperature is between 65 °F and 75 °F (18 ° – 24 °C). DO NOT charge the battery pack in an air temperature below +40 °F (+4.5 °C), or above +104 °F (+40 °C). This is important and will prevent serious damage to the battery pack.
2. The charger and battery pack may become warm to the touch while charging. This is a normal condition, and does not indicate a problem. To facilitate the cooling of the battery pack after use, avoid placing the charger or battery pack in a warm environment such as in a metal shed or an uninsulated trailer.
3. If the battery pack does not charge properly:
 - a. Check operation of receptacle by plugging in a lamp or other appliance;
 - b. Check to see if receptacle is connected to a light switch which turns power off when you turn out the lights;
 - c. Move the charger and battery pack to a location where the surrounding air temperature is approximately 65 °F – 75 °F (18 ° – 24 °C);
 - d. If charging problems persist, take the tool, battery pack and charger to your local service center.
4. The battery pack should be recharged when it fails to produce sufficient power on jobs which were easily done previously. DO NOT CONTINUE to use under these conditions. Follow the charging procedure. You may also charge a partially used pack whenever you desire with no adverse effect on the battery pack.
5. Foreign materials of a conductive nature such as, but not limited to, grinding dust, metal chips, steel wool, aluminum foil, or any buildup of metallic particles should be kept away from charger cavities. Always unplug the charger from the power supply when there is no battery pack in the cavity. Unplug the charger before attempting to clean.
6. Do not freeze or immerse the charger in water or any other liquid.

Storage Recommendations

1. The best storage place is one that is cool and dry, away from direct sunlight and excess heat or cold.
2. For long storage, it is recommended to store a fully charged battery pack in a cool dry place out of the charger for optimal results.

NOTE: Battery packs should not be stored completely depleted of charge. The battery pack will need to be recharged before use.

SAVE THESE INSTRUCTIONS FOR FUTURE USE

COMPONENTS (FIG. A)



WARNING: Never modify the power tool or any part of it. Damage or personal injury could result.

Refer to Figure A at the beginning of this manual for a complete list of components.

ENGLISH

INTENDED USE



Your DEWALT DCCS620 Chainsaw is ideal for pruning applications and cutting logs up to 10" (254 mm) in diameter.

DO NOT use under wet conditions or in presence of flammable liquids or gases.

This chainsaw is a professional power tool. **DO NOT** let children come into contact with the tool. Supervision is required when inexperienced operators use this tool.

ASSEMBLY

Installing the Guide Bar and Saw Chain (Fig. A, D–F, H)

-  **CAUTION:** Sharp chain. Always wear protective gloves when handling the chain. The chain is sharp and can cut you when it is not running.
-  **WARNING:** Sharp moving chain. To prevent accidental operation, ensure that battery is removed from the tool before performing the following operations. Failure to do this could result in serious personal injury.

If the saw chain **5** and guide bar **4** are packed separately in the carton, the chain has to be attached to the bar, and both must be attached to the body of the tool.

- Place the saw on a flat, firm surface.
- Flip up locking lever and rotate the bar adjust locking knob **8** counterclockwise as shown in Figure D to remove sprocket cover **6**.
- Wearing protective gloves, grasp the saw chain **5** and wrap it around the guide bar **4**, ensuring the teeth are facing the correct direction (see Figure H).
- Ensure the chain is properly set in the slot around the entire guide bar.
- Place the saw chain around the sprocket **18**. While lining up the slot on the guide bar with chain tensioning pin **20**, and the bolt **19**, on the base of the tool as shown in Figure E.
- Once in place, hold the bar still, replace sprocket cover **6**. Make sure tool-free tension assembly bolt hole on the cover lines up with the bolt **19**, in the main housing. Flip up locking lever and rotate the bar adjust locking knob **8** clockwise until it clicks, then loosen knob one full turn, so that the saw chain can be properly tensioned.
- Rotate the chain tensioning knob **9** clockwise to increase tension as shown in Figure F. Make sure the saw chain **5** is snug around the guide bar **4**. Tighten the bar adjust locking knob until it clicks. The bar is secure after three audible clicks are heard. Further tightening is not required.

Fig. D

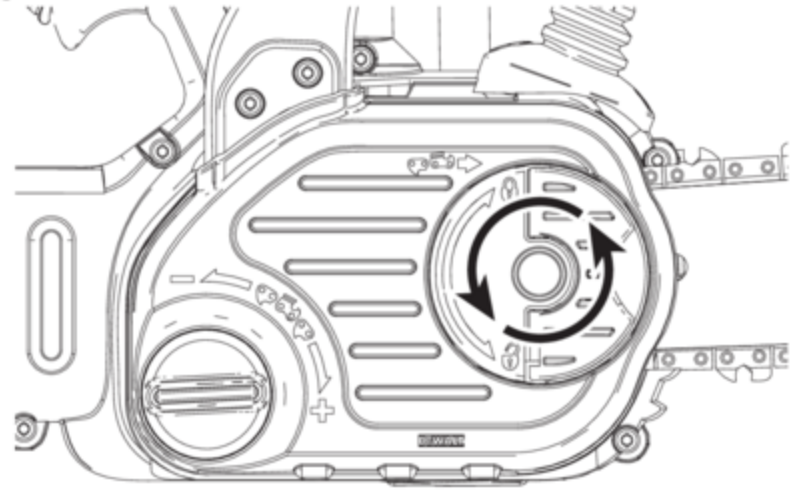


Fig. E

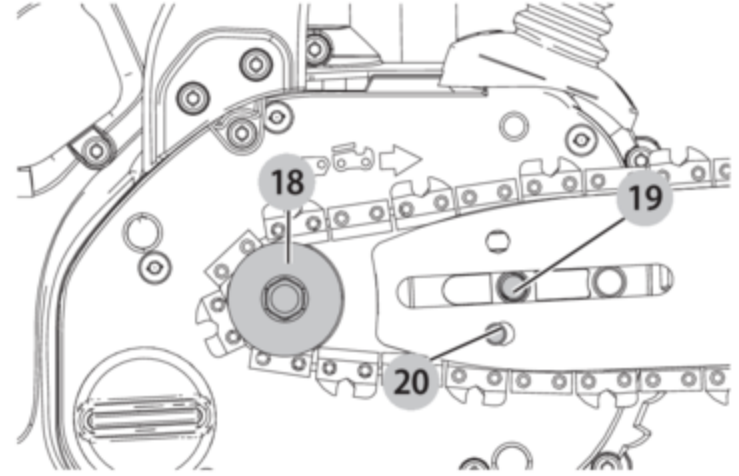
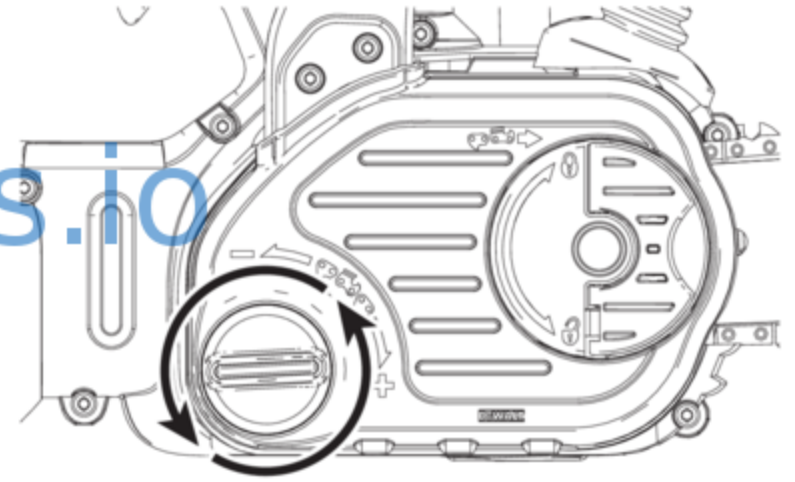


Fig. F



Adjusting Chain Tension (Fig. A, G)

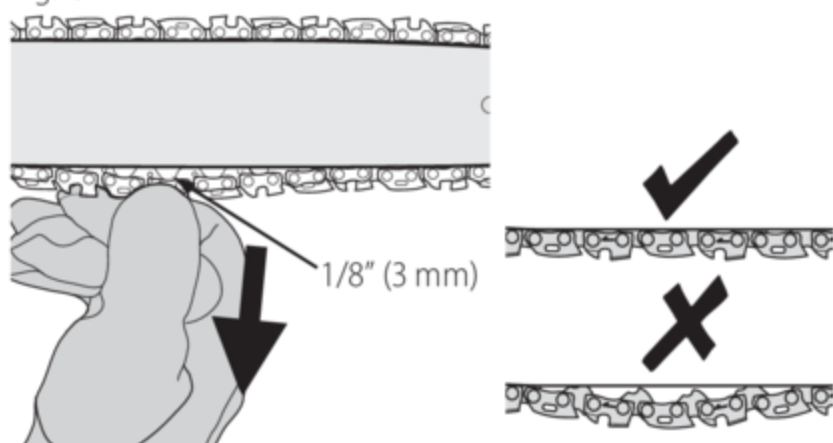
-  **CAUTION:** Sharp chain. Always wear protective gloves when handling the chain. The chain is sharp and can cut you when it is not running.
-  **WARNING:** Sharp moving chain. To prevent accidental operation, ensure that battery is removed from the tool before performing the following operations. Failure to do this could result in serious personal injury.
- With the saw on a flat, firm surface, check the saw chain **5** tension. The tension is correct when the chain snaps back after being pulled 1/8" (3 mm) away from the guide bar **4** with light force from the index finger and thumb as shown in Figure I. There should be no "sag" between the guide bar and the chain on the underside as shown in Figure G.
- To adjust saw chain tension, flip up locking tab and rotate the bar adjust locking knob **8** counterclockwise one full turn. Rotate the chain tensioning knob **9** clockwise until the chain tension is correct as instructed above.

- Do not over-tension the chain as this will lead to excessive wear and will reduce the life of the bar and chain.
- Once chain tension is correct, securely tighten bar adjust locking knob.

NOTE: The bar adjust locking knob has a detent tightening system. The sprocket cover is secure after three audible clicks are heard. Further tightening is not required.

- When the chain is new, check the tension frequently (after removing battery) during the first 2 hours of use as a new chain stretches slightly.

Fig. G



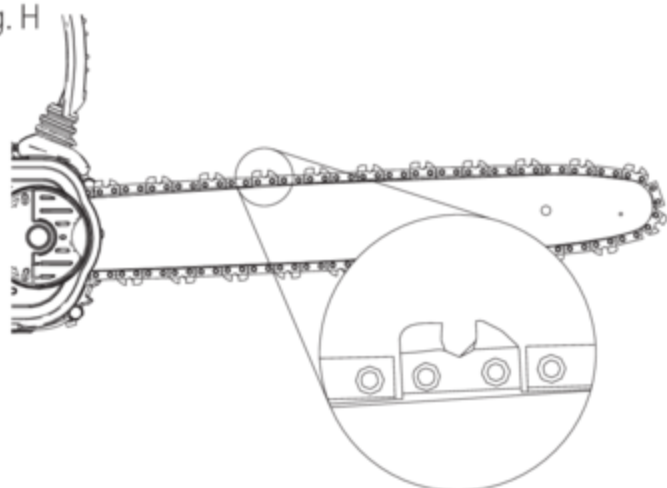
Replacing the Saw Chain (Fig. A, H)

CAUTION: Sharp chain. Always wear protective gloves when handling the chain. The chain is sharp and can cut you when it is not running.

WARNING: Sharp moving chain. To prevent accidental operation, ensure that battery is removed from the tool before performing the following operations. Failure to do this could result in serious personal injury.

- Flip up locking tab and rotate the bar adjust locking knob **8** counterclockwise to release chain tension.
- Remove sprocket cover **6** as described in **Installing the Guide Bar and Saw Chain** section.
- Lift the worn saw chain **5** out of the groove in the guide bar **4**.
- Place the new chain in the slot of the guide bar, making sure the saw teeth are facing the correct direction by matching the arrow on the chain with the graphic on the sprocket cover **6** shown in Figure H.
- Follow instructions for **Installing the Guide Bar and Saw Chain**.

Fig. H



Replacement chain and bar are available from your nearest DEWALT service center.

- DCCS620 requires replacement chain # DWRC1200, service part number 90586162. Replacement 12" bar, service part number N507300.

Saw Chain and Guide Bar Oiling (Fig. I)

Auto Oiling System

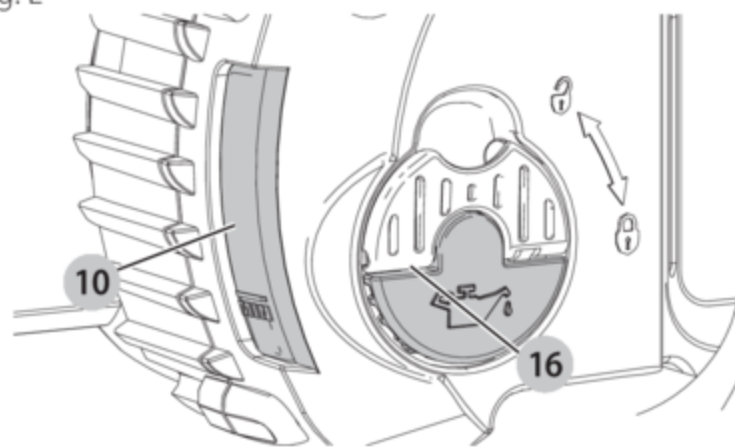
This chain saw is equipped with an auto oiling system that keeps the saw chain and guide bar constantly lubricated. The oil level indicator **10** shows the level of the oil in the chain saw. If the oil level is less than a quarter full, remove the battery from the chain saw and refill with the correct type of oil. Always empty oil tank when finished cutting.

NOTE: Use a high quality bar and chain oil for proper chain and bar lubrication. As a temporary substitute, a non-detergent SAE30 weight motor oil can be used. The use of a vegetable based bar and chain oil is recommended when pruning trees. Mineral oil is not recommended because it may harm trees. Never use waste oil or very thick oil. These may damage your chainsaw.

Filling the Oil Reservoir

- Flip down locking lever and unscrew counterclockwise a quarter turn and then remove the oil cap **16**. Fill the reservoir with the recommended bar and chain oil until the oil level has reached the top of the oil level indicator **10**.
- Refit the oil cap and tighten clockwise a quarter turn. Flip up locking lever to its locked position.
- Periodically switch the chain saw off and check the oil level indicator to ensure the bar and chain are being properly oiled.

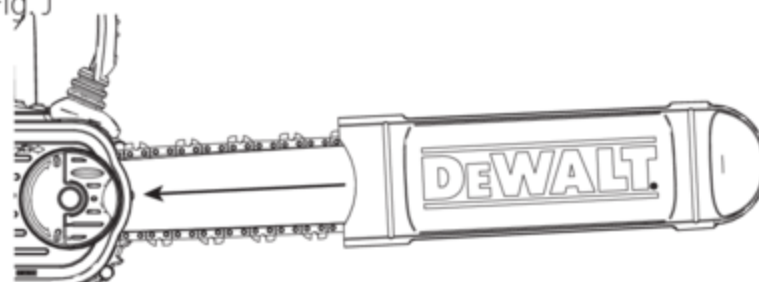
Fig. L



Transporting Saw (Fig. A, J)

- Always remove the battery from the tool and cover the guide bar **4** with the scabbard **11** (see Figure J) when transporting the saw.
- Engage chain brake by pushing chain brake / front hand guard **3** forward.

Fig. J



OPERATION

! WARNING: To reduce the risk of serious personal injury, turn unit off and remove the battery pack before making any adjustments or removing/installing attachments or accessories. An accidental start-up can cause injury.

Installing and Removing the Battery Pack (Fig. K, L)

NOTE: For best results, make sure your battery pack is fully charged.

To install the battery pack **7** into the tool handle, align the battery pack with the rails inside the tool's handle and slide it into the handle (Fig. K) until the battery pack is firmly seated in the tool and ensure that it does not disengage.

To remove the battery pack from the tool, press the release button **15** and firmly pull the battery pack out of the tool handle (Fig. L). Insert it into the charger as described in the charger section of this manual.

Fig. K

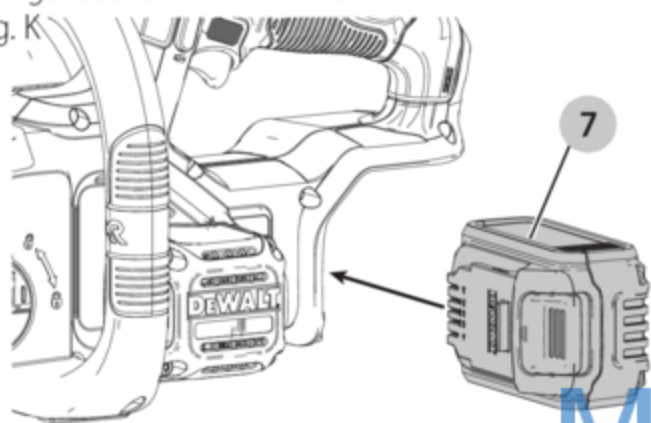
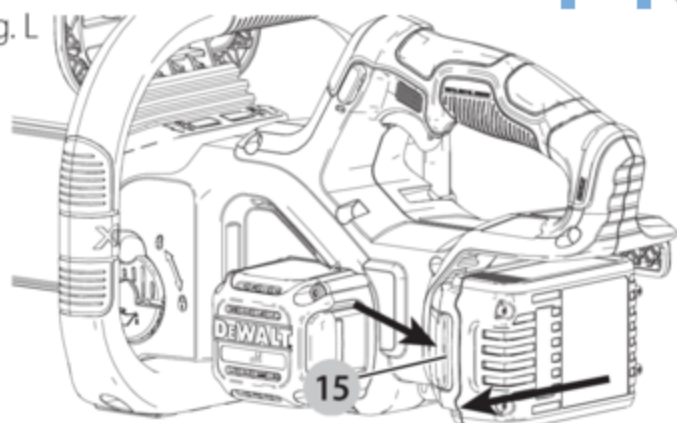


Fig. L



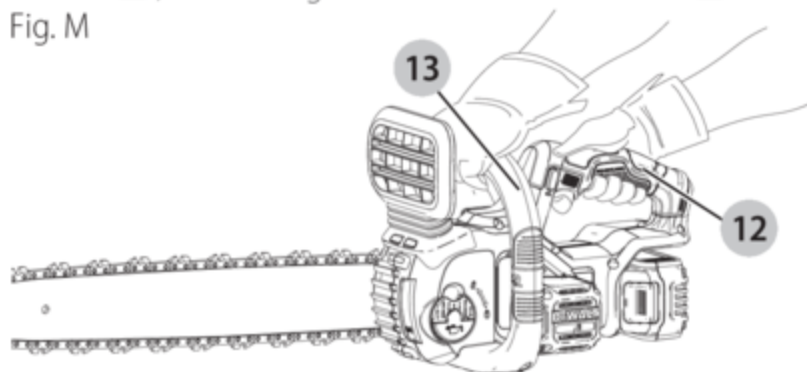
Proper Hand Position (Fig. A, M)

! WARNING: To reduce the risk of serious personal injury, **ALWAYS** use proper hand position as shown.

! WARNING: To reduce the risk of serious personal injury, **ALWAYS** hold securely in anticipation of a sudden reaction.

Proper hand position requires the left hand on the front handle **13**, with the right hand on the rear handle **12**.

Fig. M



Operating the Chain Saw (Fig. A, N–O)

! WARNING: Read and understand all instructions. Failure to follow all instructions listed below may result in electric shock, fire and/or serious personal injury.

- Guard Against Kickback which can result in severe injury or death. See Important Safety Instructions **Guard Against Kickback**, to avoid the risk of kickback.
- Do not overreach. Do not cut above chest height. Make sure your footing is firm. Keep feet apart. Divide your weight evenly on both feet.
- Use a firm grip with your left hand on the front handle **13** and your right hand on the rear handle **12** so that your body is to the left of the guide bar.
- Do not hold chain saw by front hand guard/chain brake **3**. Keep elbow of left arm locked so that left arm is straight to withstand a kickback.

! WARNING: Never use a cross-handed grip (left hand on the rear handle and right hand on the front handle).

! WARNING: Never allow any part of your body to be in line with the guide bar **4** when operating the chain saw.

- Never operate while in a tree, in any awkward position or on a ladder or other unstable surface. You may lose control of saw causing severe injury.
- Keep the chain saw running at full speed the entire time you are cutting.
- Allow the chain to cut for you. Exert only light pressure. Do not put pressure on chain saw at end of cut.

! WARNING: When not in use always have the chain brake engaged and battery removed.

On / Off Switch

Always be sure of your footing and grip the chain saw firmly with both hands with the thumb and fingers encircling both handles.

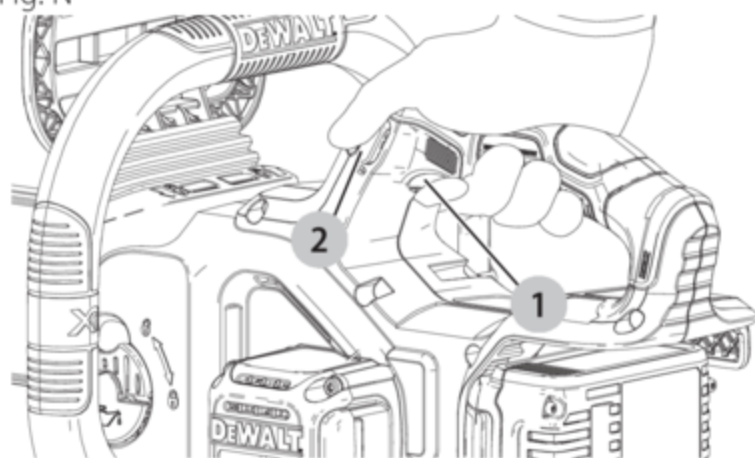
To turn the unit on, ensure chain brake is not engaged. Slide the lock off lever **2**, shown in Figure N, and squeeze the trigger switch **1**. Once the unit is running, you may release the lock off lever.

In order to keep the unit running you must continue to squeeze the trigger. To turn the unit off, release the trigger.

NOTE: If too much force is applied while making a cut the saw will turn off. To restart saw, you must release the trigger switch **1** before the saw will restart. Begin your cut again this time with less force. Allow the saw to cut at its own pace.

! WARNING: Never attempt to lock a switch in the ON position.

Fig. N



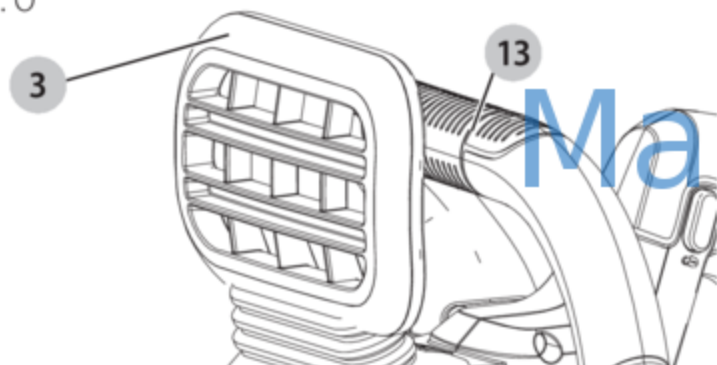
Setting The Chain Brake

Your chain saw is equipped with a motor chain braking system which will stop the chain quickly in case of kickback.

- Remove the battery from the tool.
- To engage the chain brake, push the chain brake / front hand guard **2** forward until it clicks into place.
- Pull the chain brake / front hand guard **2** towards the front handle **13** into the "set" position as shown in Figure O.
- The tool is now ready to use.

NOTE: In the event of kickback, your left hand will come in contact with the front guard, pushing it forward, toward the workpiece. This will stop the tool.

Fig. O



Testing The Chain Brake

Test the chain brake before every use to make sure it operates correctly.

- Place the tool on a flat, firm surface. Make sure the saw chain **5** is clear of the ground.
- Grip the tool firmly with both hands and turn the chain saw on.
- Rotate your left hand forward around the front handle **13** so the back of your hand comes in contact with the Chain brake / front hand guard **3** and push it forward, toward the workpiece. The saw chain should stop immediately.

NOTE: If saw does not stop immediately, stop use of tool and bring it to a DEWALT service center nearest you.

! WARNING: Make sure to set chain brake before cutting.

Common Cutting Techniques (Fig. A, P, Q, R, S, T)

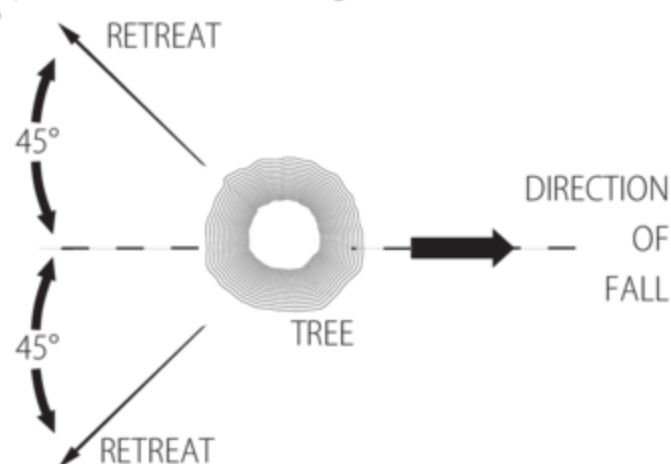
Felling

The process of cutting down a tree. Be sure battery is fully charged before felling a tree so you can finish on a single charge. Do not fell trees in high wind conditions.

! WARNING: Felling can result in injury. It should only be performed by a trained person.

- A retreat path should be planned and cleared as necessary before cuts are started. The retreat path should extend back and diagonally to the rear of the expected line of fall (see Figure P).

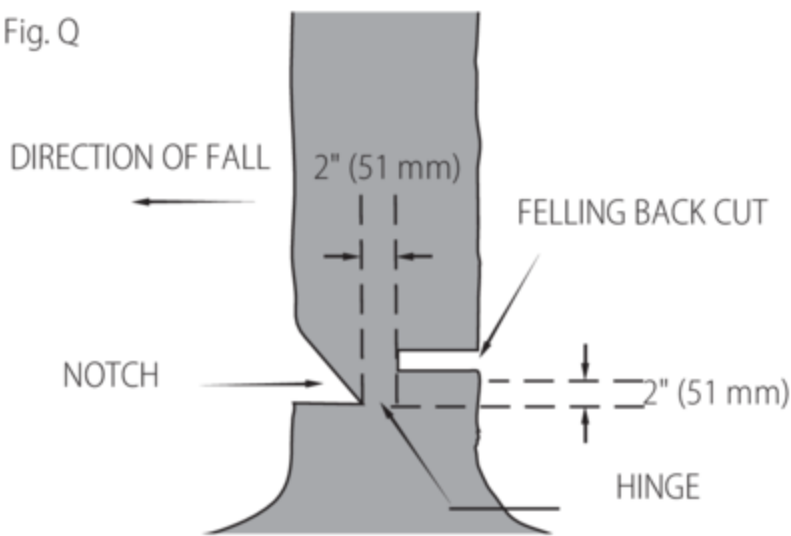
Fig. P



- Before felling is started, consider the natural lean of the tree, the location of larger branches and the wind direction to judge which way the tree will fall. Have wedges (wood, plastic or aluminum) and a heavy mallet handy. Remove dirt, stones, loose bark, nails, staples, and wire from the tree where the felling cuts are to be made.
- Notching Undercut - Make the notch 1/3 of the diameter of the tree, perpendicular to the direction of the fall. Make the lower horizontal notching cut first. This will help to avoid pinching of either the saw chain or the guide bar when the second notch cut is being made (see Figure Q).
- Felling Back Cut - Make the felling back cut at least 2" (51 mm) higher than the horizontal notching cut. Keep the felling back cut parallel to the horizontal notching cut. Make the felling back cut so enough wood is left to act as a hinge. The hinge wood keeps the tree from twisting and falling in the wrong direction. Do not cut through the hinge (see Figure Q).
- As the felling cut gets close to the hinge the tree should begin to fall. If there is any chance that the tree may not fall in the desired direction or it may rock back and bind the saw chain, stop cutting before the felling cut is complete and use wedges to open the cut and drop the tree along the desired line of fall. When the tree begins to fall remove the chain saw from the cut, stop the motor, put the chain saw down, then use the retreat path planned. Be alert for overhead limbs falling and watch your footing.

ENGLISH

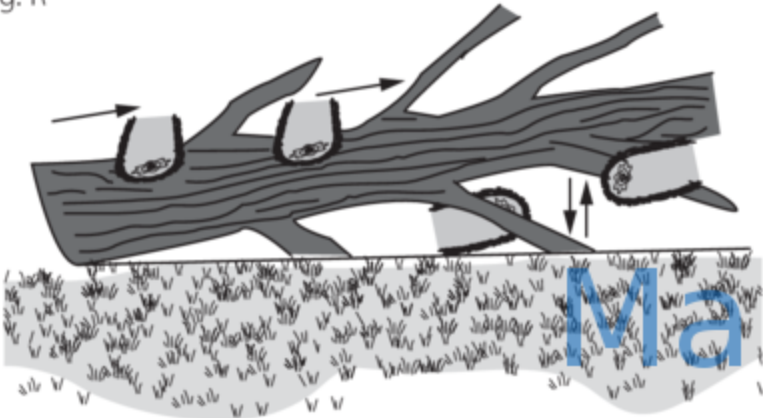
Fig. Q



Limbing

Removing the branches from a fallen tree. When limbing, leave larger lower limbs to support the log off the ground. Remove the small limbs in one cut. Branches under tension should be cut from the bottom of the branch towards the top to avoid binding the chain saw as shown in Figure R. Trim limbs from opposite side keeping tree stem between you and saw. Never make cuts with saw between your legs or straddle the limb to be cut.

Fig. R

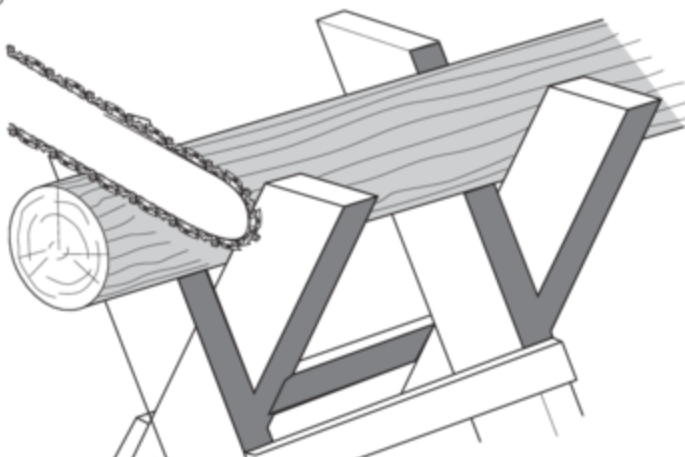


Bucking

WARNING: Recommend that first time users should practice cutting on a saw horse.

Cutting a felled tree or log into lengths. How you should cut depends on how the log is supported. Use a saw horse (see Figure S) whenever possible.

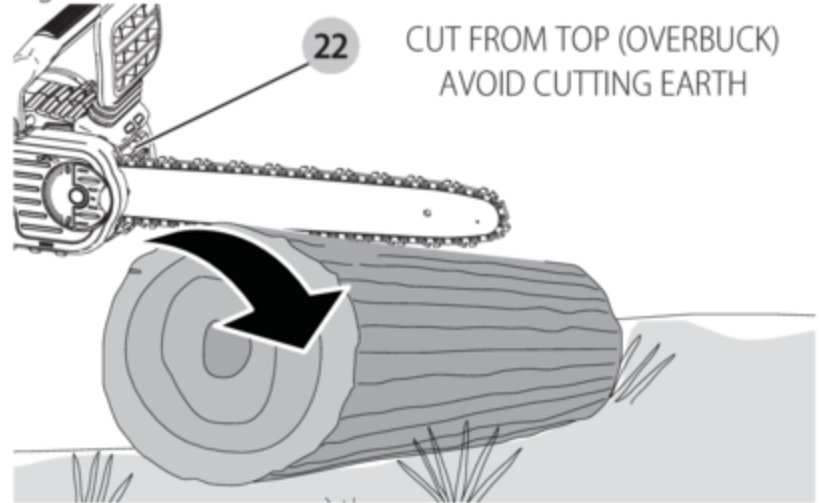
Fig. S



- Always start a cut with the chain running at full speed.
- Place the bottom spike **22** of the chain saw behind the area of the initial cut as shown in Figure T.
- Turn the chain saw on then rotate the chain and bar down into the tree, using the spike as a hinge.
- Once the chain saw gets to a 45 degree angle, level the chain saw again and repeat steps until you cut fully through.

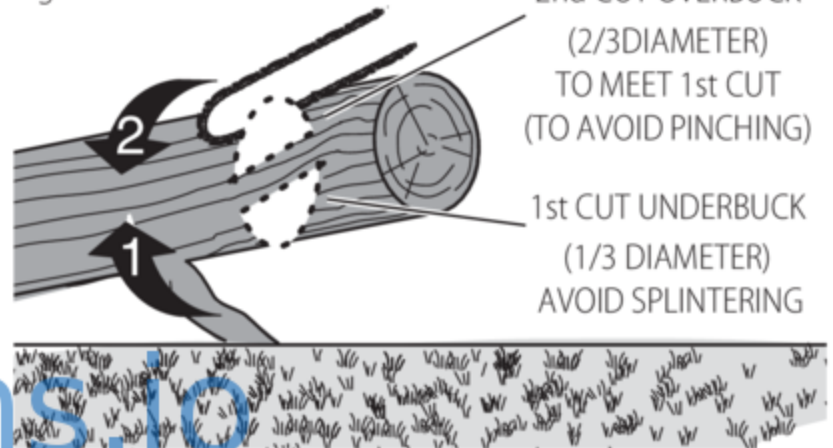
- When the tree is supported along its entire length, make a cut from the top (overbuck), but avoid cutting the earth as this will dull your saw quickly.

Fig. T



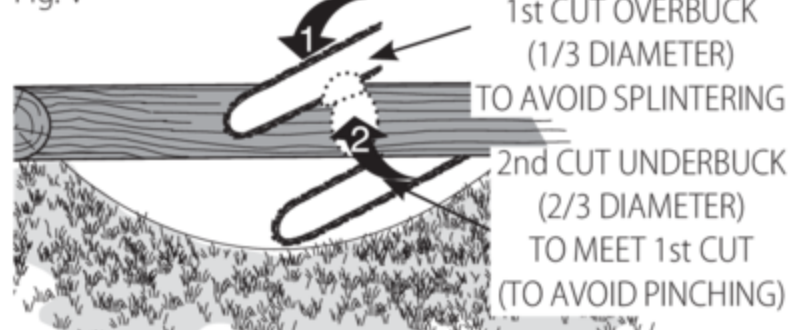
- **Figure U-** When supported at one end First, cut 1/3 the diameter from the underside (underbuck). Then make the finishing cut by overbucking to meet the first cut.

Fig. U



- **Figure V-** When supported at both ends. First, cut 1/3 down from the top overbuck. Then make the finished cut by underbucking the lower 2/3 to meet the first cut.

Fig. V



- When on a slope always stand on the uphill side of the log. When "cutting through", to maintain complete control reduce the cutting pressure near the end of the cut without relaxing your grip on the chain saw handles. Don't let the chain contact the ground. After completing the cut, wait for the saw chain to stop before you move the chain saw. Always stop the motor before moving from cut to cut.

CARE AND MAINTENANCE

Use only mild soap and damp cloth to clean the tool. Do not use solvents to clean the plastic housing of the saw. Never let any liquid get inside the tool; never immerse any part of the tool into a liquid.

IMPORTANT: To assure product SAFETY and RELIABILITY, repairs, maintenance and adjustment should be performed

by a DEWALT authorized service center, always using identical replacement parts.

Regular maintenance ensures a long effective life for your chain saw.

Chain and Bar

After every few hours of use, remove the sprocket cover, guide bar and chain and clean thoroughly using a soft bristle brush. Ensure oiling hole on bar is clear of debris. When replacing dull chains with sharp chains it is good practice to flip the chain bar from bottom to top.

Saw Chain Sharpening

CAUTION: Sharp chain. Always wear protective gloves when handling the chain. The chain is sharp and can cut you when it is not running.

WARNING: Sharp moving chain. To prevent accidental operation, ensure that battery is removed from the tool before performing the following operations. Failure to do this could result in serious personal injury.

NOTE: The cutters will dull immediately if they touch the ground or a nail while cutting.

To get the best possible performance from your chain saw it is important to keep the teeth of the chain sharp. Follow these helpful tips for proper saw chain sharpening:

1. For best results use a 4.5 mm file and a file holder or filing guide to sharpen your chain. This will ensure you always get the correct sharpening angles.
2. Place the file holder flat on the top plate and depth gauge of the cutter.
3. **Figure W-** Keep the correct top plate **19** filing angle line of 30° on your file guide parallel with your chain (file at 60° from chain viewed from the side).
4. Sharpen cutters on one side of the chain first. File from the inside of each cutter to the outside. Then turn your saw around and repeat the processes (2, 3, 4) for cutters on the other side of the chain.

NOTE: Use a flat file to file the tops of the rakers (portion of chain link in front of the cutter) so they are about .025" (.635 mm) below the tips of the cutters as shown in Figure X.

5. **Figure Y-** Keep all cutter lengths equal.
6. If damage is present on the chrome surface of the top plates or side plates, file back until such damage is removed.

CAUTION: After filing, the cutter will be sharp, use extra caution during this process.

NOTE: Each time the chain is sharpened, it loses some of the low kickback qualities and extra caution should be used. It is recommended that a chain be sharpened no more than four times.

Fig. W

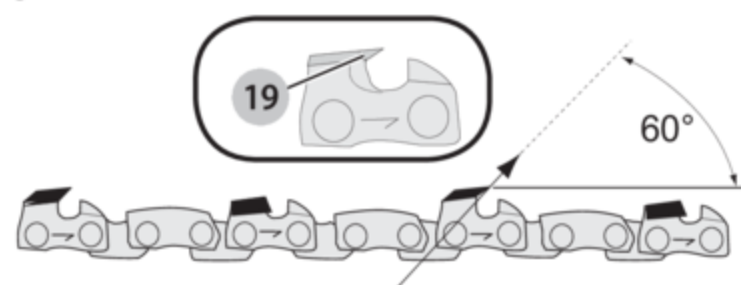


Fig. X

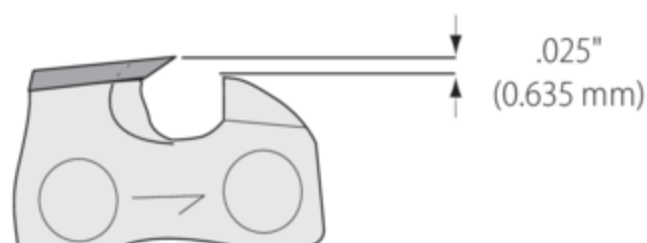
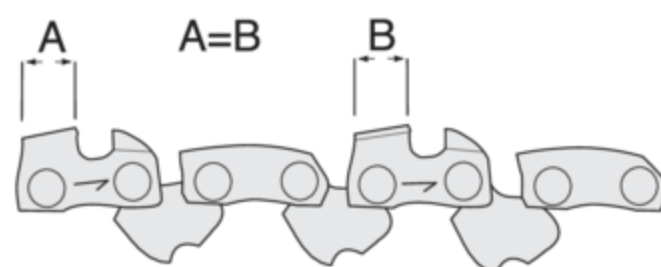


Fig. Y



Accessories

WARNING: Since accessories, other than those offered by DEWALT, have not been tested with this product, use of such accessories with this tool could be hazardous. To reduce the risk of injury, only DEWALT recommended accessories should be used with this product.

Recommended accessories for use with your tool are available at extra cost from your local dealer or authorized service center. If you need assistance in locating any accessory, please contact DEWALT Industrial Tool Co., 701 East Joppa Road, Towson, MD 21286, call 1-800-4-DEWALT (1-800-433-9258) or visit our website: www.dewalt.com.

WARNING: The use of accessories not recommended in this manual may be hazardous.

Replacement chain and bar are available from your nearest DEWALT authorized service center. For use only with low kick back bar and chain.

Available bars and chains for **DCCS620:**

Bar: service part number N507300

Chain: service part number 90586162

MAINTENANCE

WARNING: To reduce the risk of serious personal injury, turn unit off and remove the battery pack before making any adjustments or removing/installing attachments or accessories. An accidental start-up can cause injury.

Cleaning

WARNING: Blow dirt and dust out of all air vents with clean, dry air at least once a week. To minimize the risk

ENGLISH

of eye injury, always wear ANSI Z87.1 approved eye protection when performing this.



WARNING: Never use solvents or other harsh chemicals for cleaning the non-metallic parts of the tool. These chemicals may weaken the plastic materials used in these parts. Use a cloth dampened only with water and mild soap. Never let any liquid get inside the tool; never immerse any part of the tool into a liquid.

Repairs

The charger and battery pack are not serviceable.



WARNING: To assure product SAFETY and RELIABILITY, repairs, maintenance and adjustment (including brush inspection and replacement, when applicable) should be performed by a DEWALT factory service center or a DEWALT authorized service center. Always use identical replacement parts.

Register Online

Thank you for your purchase. Register your product now for:

- **WARRANTY SERVICE:** Registering your product will help you obtain more efficient warranty service in case there is a problem with your product.
- **CONFIRMATION OF OWNERSHIP:** In case of an insurance loss, such as fire, flood or theft, your registration of ownership will serve as your proof of purchase.
- **FOR YOUR SAFETY:** Registering your product will allow us to contact you in the unlikely event a safety notification is required under the Federal Consumer Safety Act.

Register online at www.dewalt.com/register.

Three Year Limited Warranty

DEWALT will repair, without charge, any defects due to faulty materials or workmanship for three years from the date of purchase. This warranty does not cover part failure due to normal wear or tool abuse. For further detail of warranty coverage and warranty repair information, visit www.dewalt.com or call 1-800-4-DEWALT (1-800-433-9258). This warranty does not apply to accessories or damage caused where repairs have been made or attempted by others. THIS LIMITED WARRANTY IS GIVEN IN LIEU OF ALL OTHERS, INCLUDING THE IMPLIED WARRANTY OF MERCHANTABILITY AND FITNESS FOR A PARTICULAR PURPOSE, AND EXCLUDES ALL INCIDENTAL OR CONSEQUENTIAL DAMAGES. Some states do not allow limitations on how long an implied warranty lasts or the exclusion or limitation of incidental or consequential damages, so these limitations may not apply to you. This warranty gives you specific legal rights and you may have other rights which vary in certain states or provinces. In addition to the warranty, DEWALT tools are covered by our:

1 YEAR FREE SERVICE

DEWALT will maintain the tool and replace worn parts caused by normal use, for free, any time during the first year after purchase.

2 YEARS FREE SERVICE ON DEWALT BATTERY PACKS

DC9071, DC9091, DC9096, DC9182, DC9280, DC9360, DCB120, DCB127, DCB201, DCB203, DCB203BT, DCB207, DCB361

3 YEARS FREE SERVICE ON DEWALT BATTERY PACKS

DCB200, DCB204, DCB204BT, DCB205, DCB205BT, DCB206, DCB606, DCB609

NOTE: Battery warranty voided if the battery pack is tampered with in any way. DEWALT is not responsible for any injury caused by tampering and may prosecute warranty fraud to the fullest extent permitted by law.

90 DAY MONEY BACK GUARANTEE

If you are not completely satisfied with the performance of your DEWALT Power Tool, Laser, or Nailer for any reason, you can return it within 90 days from the date of purchase with a receipt for a full refund – no questions asked.

LATIN AMERICA: This warranty does not apply to products sold in Latin America. For products sold in Latin America, see country specific warranty information contained in the packaging, call the local company or see website for warranty information.

Mans.io

Définitions : symboles et termes d'alarmes sécurité

Ces guides d'utilisation utilisent les symboles et termes d'alarmes sécurité suivants pour vous prévenir de situations dangereuses et de risques de dommages corporels ou matériels.

! **DANGER** : indique une situation dangereuse imminente qui, si elle n'est pas évitée, **entraînera la mort ou des blessures graves**.

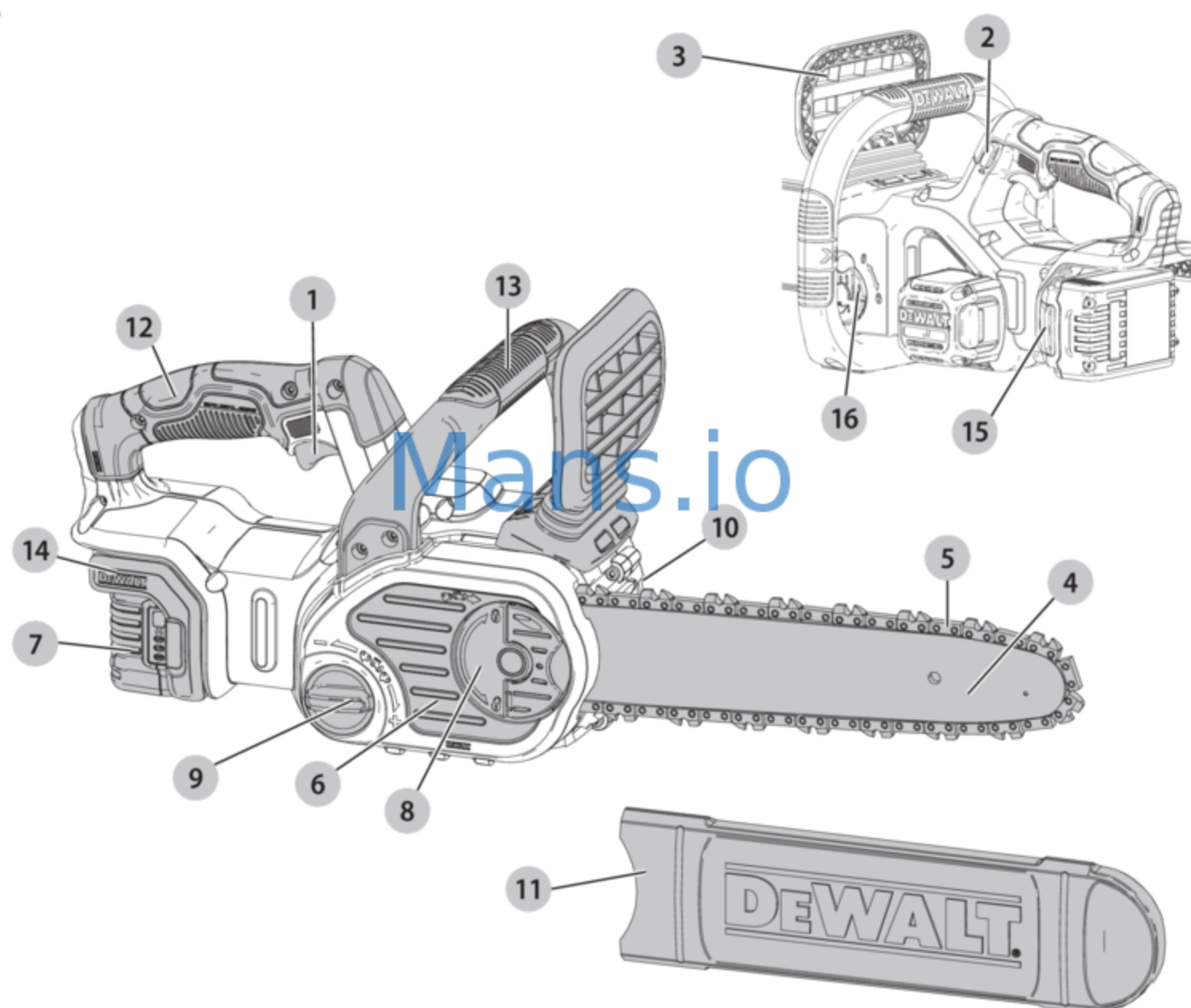
! **AVERTISSEMENT** : indique une situation potentiellement dangereuse qui, si elle n'est pas évitée, **pourrait entraîner la mort ou des blessures graves**.

! **ATTENTION** : indique une situation potentiellement dangereuse qui, si elle n'est pas évitée, **pourrait entraîner des blessures légères ou modérées**.

! (Si utilisé sans aucun terme) Indique un message propre à la sécurité.

AVIS : indique une pratique ne posant **aucun risque de dommages corporels** mais qui par contre, si rien n'est fait pour l'éviter, **pourrait poser des risques de dommages matériels**.

Fig. A



- | | |
|---|---------------------------------------|
| 1 Gâchette | 9 Bouton de tension de chaîne |
| 2 Levier de verrouillage | 10 Témoin de niveau d'huile |
| 3 Frein de chaîne/Carter de poignée avant | 11 Fourreau du guide-chaîne |
| 4 Guide-chaîne | 12 Poignée arrière |
| 5 Chaîne coupante | 13 Poignée avant |
| 6 Cache de dent de pignon | 14 Logement du bloc-piles |
| 7 Bloc-piles | 15 Bouton de libération du bloc-piles |
| 8 Bouton de verrouillage du réglage de guide-chaîne | 16 Bouchon du réservoir d'huile |

! **AVERTISSEMENT!** lire tous les avertissements de sécurité et toutes les directives. Le non-respect des avertissements et des directives pourrait se solder par un choc électrique, un incendie et/ou une blessure grave.

! **AVERTISSEMENT** : afin de réduire le risque de blessures, lire le mode d'emploi de l'outil.

Pour toute question ou remarque au sujet de cet outil ou de tout autre outil DEWALT, composez le numéro sans frais : 1-800-4-DEWALT (1-800-433-9258).

AVERTISSEMENTS DE SÉCURITÉ GÉNÉRAUX POUR LES OUTILS ÉLECTRIQUES



AVERTISSEMENT! lire tous les avertissements de sécurité et toutes les directives. Le non-respect des avertissements et des directives pourrait se solder par un choc électrique, un incendie et/ou une blessure grave.

CONSERVER TOUS LES AVERTISSEMENTS ET TOUTES LES DIRECTIVES POUR UN USAGE ULTÉRIEUR

Le terme « outil électrique » cité dans les avertissements se rapporte à votre outil électrique à alimentation sur secteur (avec fil) ou par piles (sans fil).

1) Sécurité du lieu de travail

- a) **Tenir l'aire de travail propre et bien éclairée.** Les lieux encombrés ou sombres sont propices aux accidents.
- b) **Ne pas faire fonctionner d'outils électriques dans un milieu déflagrant, tel qu'en présence de liquides, de gaz ou de poussières inflammables.** Les outils électriques produisent des étincelles qui pourraient enflammer la poussière ou les vapeurs.
- c) **Éloigner les enfants et les personnes à proximité pendant l'utilisation d'un outil électrique.** Une distraction pourrait en faire perdre la maîtrise à l'utilisateur.

2) Sécurité en matière d'électricité

- a) **Les fiches des outils électriques doivent correspondre à la prise. Ne jamais modifier la fiche d'aucune façon. Ne jamais utiliser de fiche d'adaptation avec un outil électrique mis à la terre.** Le risque de choc électrique sera réduit par l'utilisation de fiches non modifiées correspondant à la prise.
- b) **Éviter tout contact physique avec des surfaces mises à la terre comme des tuyaux, des radiateurs, des cuisinières et des réfrigérateurs.** Le risque de choc électrique est plus élevé si votre corps est mis à la terre.
- c) **Ne pas exposer les outils électriques à la pluie ou à l'humidité.** La pénétration de l'eau dans un outil électrique augmente le risque de choc électrique.
- d) **Ne pas utiliser le cordon de façon abusive. Ne jamais utiliser le cordon pour transporter, tirer ou débrancher un outil électrique. Tenir le cordon éloigné de la chaleur, de l'huile, des bords tranchants et des pièces mobiles.** Les cordons endommagés ou enchevêtrés augmentent les risques de choc électrique.
- e) **Pour l'utilisation d'un outil électrique à l'extérieur, se servir d'une rallonge convenant à cette application.** L'utilisation d'une rallonge conçue pour l'extérieur réduira les risques de choc électrique.

- f) **S'il est impossible d'éviter l'utilisation d'un outil électrique dans un endroit humide, brancher l'outil dans une prise ou sur un circuit d'alimentation dotés d'un disjoncteur de fuite à la terre (GFCI).** L'utilisation de ce type de disjoncteur réduit les risques de choc électrique.

3) Sécurité personnelle

- a) **Être vigilant, surveiller le travail effectué et faire preuve de jugement lorsqu'un outil électrique est utilisé. Ne pas utiliser d'outil électrique en cas de fatigue ou sous l'influence de drogues, d'alcool ou de médicaments.** Un simple moment d'inattention en utilisant un outil électrique peut entraîner des blessures corporelles graves.
- b) **Utiliser des équipements de protection individuelle. Toujours porter une protection oculaire.** L'utilisation d'équipements de protection comme un masque antipoussière, des chaussures antidérapantes, un casque de sécurité ou des protecteurs auditifs lorsque la situation le requiert réduira les risques de blessures corporelles.
- c) **Empêcher les démarrages intempestifs. S'assurer que l'interrupteur se trouve à la position d'arrêt avant de relier l'outil à une source d'alimentation et/ou d'insérer un bloc-piles, de ramasser ou de transporter l'outil.** Transporter un outil électrique alors que le doigt repose sur l'interrupteur ou brancher un outil électrique dont l'interrupteur est à la position de marche risque de provoquer un accident.
- d) **Retirer toute clé de réglage ou clé avant de démarrer l'outil.** Une clé ou une clé de réglage attachée à une partie pivotante de l'outil électrique peut provoquer des blessures corporelles.
- e) **Ne pas trop tendre les bras. Conserver son équilibre en tout temps.** Cela permet de mieux maîtriser l'outil électrique dans les situations imprévues.
- f) **S'habiller de manière appropriée. Ne pas porter de vêtements amples ni de bijoux. Garder les cheveux, les vêtements et les gants à l'écart des pièces mobiles.** Les vêtements amples, les bijoux ou les cheveux longs risquent de rester coincés dans les pièces mobiles.
- g) **Si des composants sont fournis pour le raccordement de dispositifs de dépoussiérage et de ramassage, s'assurer que ceux-ci sont bien raccordés et utilisés.** L'utilisation d'un dispositif de dépoussiérage peut réduire les dangers engendrés par les poussières.

4) Utilisation et entretien d'un outil électrique

- a) **Ne pas forcer un outil électrique. Utiliser l'outil électrique approprié à l'application.** L'outil électrique approprié effectuera un meilleur travail, de façon plus sûre et à la vitesse pour laquelle il a été conçu.

- b) **Ne pas utiliser un outil électrique dont l'interrupteur est défectueux.** Tout outil électrique dont l'interrupteur est défectueux est dangereux et doit être réparé.
- c) **Débrancher la fiche de la source d'alimentation et/ou du bloc-piles de l'outil électrique avant de faire tout réglage ou changement d'accessoire ou avant de ranger l'outil.** Ces mesures préventives réduisent les risques de démarrage accidentel de l'outil électrique.
- d) **Ranger les outils électriques hors de la portée des enfants et ne permettre à aucune personne n'étant pas familière avec un outil électrique ou son mode d'emploi d'utiliser cet outil.** Les outils électriques deviennent dangereux entre les mains d'utilisateurs inexpérimentés.
- e) **Entretien des outils électriques. Vérifier si les pièces mobiles sont mal alignées ou coincées, si des pièces sont brisées ou présentent toute autre condition susceptible de nuire au bon fonctionnement de l'outil électrique. En cas de dommage, faire réparer l'outil électrique avant toute nouvelle utilisation.** Beaucoup d'accidents sont causés par des outils électriques mal entretenus.
- f) **S'assurer que les outils de coupe sont aiguisés et propres.** Les outils de coupe bien entretenus et affûtés sont moins susceptibles de se coincer et sont plus faciles à maîtriser.
- g) **Utiliser l'outil électrique, les accessoires, les forets, etc. conformément aux présentes directives en tenant compte des conditions de travail et du travail à effectuer.** L'utilisation d'un outil électrique pour toute opération autre que celle pour laquelle il a été conçu est dangereuse.

5) Utilisation et entretien du bloc-piles

- a) **Ne recharger l'outil qu'au moyen du chargeur précisé par le fabricant.** L'utilisation d'un chargeur qui convient à un type de bloc-piles risque de provoquer un incendie s'il est utilisé avec un autre type de bloc-piles.
- b) **Utiliser les outils électriques uniquement avec les blocs-piles conçus à cet effet.** L'utilisation de tout autre bloc-piles risque de causer des blessures ou un incendie.
- c) **Lorsque le bloc-piles n'est pas utilisé, le tenir éloigné des objets métalliques, notamment des trombones, de la monnaie, des clés, des clous, des vis ou autres petits objets métalliques qui peuvent établir une connexion entre les deux bornes.** Le court-circuit des bornes du bloc-piles risque de provoquer des brûlures ou un incendie.
- d) **En cas d'utilisation abusive, le liquide peut gicler hors du bloc-piles; éviter tout contact avec ce liquide. Si un contact accidentel se produit, laver à grande eau. Si le liquide entre en contact avec les yeux, obtenir également des soins médicaux.** Le liquide qui gicle hors du bloc-piles peut provoquer des irritations ou des brûlures.

6) Réparation

- a) **Faire réparer l'outil électrique par un réparateur professionnel en n'utilisant que des pièces de rechange identiques.** Cela permettra de maintenir une utilisation sécuritaire de l'outil électrique.

Mises en garde de sécurité pour la scie à chaîne



AVERTISSEMENT : consignes de sécurité additionnelles propres aux scies à chaîne.

- **Maintenir toutes les parties du corps éloignées de la scie à chaîne lors de son utilisation. Avant de démarrer la scie à chaîne, s'assurer que la scie à chaîne n'est en contact avec aucun objet.** Un moment d'inattention pendant l'utilisation de la scie à chaîne pourrait faire qu'elle se prenne dans les vêtements ou entre en contact avec le corps.
- **Maintenir systématiquement la scie à chaîne la main droite sur la poignée arrière et la main gauche sur la poignée avant.** Maintenir la scie à chaîne en inversant la configuration des mains augmente les risques de dommages corporels et devrait systématiquement être évité.
- **Tenir l'outil électrique uniquement par ses surfaces de prise isolées, car la scie à chaîne pourrait entrer en contact avec des fils cachés.** Une scie à chaîne rentrant en contact avec un fil sous tension pourrait mettre sous tension les parties métalliques de l'outil électrique et électrocuter l'utilisateur.
- **Porter une protection oculaire et une protection auditive. Il est aussi recommandé de porter un équipement de protection pour la tête, les mains, les jambes et les pieds.** Des vêtements de protection adéquats réduiront les risques de dommages corporels provoqués par la projection de débris ou un contact accidentel avec la scie à chaîne.
- **Ne pas utiliser la scie à chaîne lorsqu'on se trouve sur un arbre.** L'utilisation d'une scie à chaîne alors qu'on se trouve sur l'arbre pose des risques de dommages corporels.
- **Maintenir systématiquement son équilibre et n'utiliser la scie à chaîne que bien ancré sur une surface fixe, sécuritaire et plane.** Les surfaces glissantes ou instables, comme les échelles, pourraient causer perte d'équilibre et contrôle de la scie à chaîne.
- **Lors de la coupe d'une branche sous tension, attention à tout effet de ressort.** Lorsque la tension dans les fibres du bois sera relâchée, la branche sous tension pourra heurter l'utilisateur et/ou faire perdre le contrôle de la scie à chaîne.
- **Prendre des précautions extrêmes lors de la coupe de broussailles ou d'arbrisseaux.** Les matériaux fins pourraient se prendre dans la scie à chaîne et fouetter violemment l'utilisateur ou lui faire perdre l'équilibre.
- **Transporter la scie à chaîne par la poignée avant alors qu'elle est à l'arrêt et en la maintenant éloignée du corps. Insérer systématiquement le fourreau sur le guide-chaîne avant de transporter la scie à chaîne ou de l'entreposer.** La manipulation appropriée de la scie à chaîne réduira les risques de contact accidentel avec la scie en mouvement.
- **Suivre toute instruction relative à la lubrification, la tension de la chaîne et au changement d'accessoire.** Une tension ou une lubrification incorrecte de la chaîne

FRANÇAIS

pourra faire qu'elle se brise ou augmentera les risques de rebonds.

- **Maintenir les poignées propres et sèches, exemptes d'huile ou de graisse.** Des poignées huileuses ou graisseuses sont glissantes et causeront la perte de contrôle de l'outil.
- **Ne couper que le bois. Ne pas utiliser la scie à chaîne pour des tâches pour lesquelles elle n'a pas été conçue. Par exemple : ne pas utiliser la scie à chaîne pour couper le plastique, la maçonnerie ou des matériaux de construction pas en bois.** L'utilisation de la scie à chaîne pour tout usage autre que celui pour lequel elle a été conçue est dangereuse.

Causes et prévention des rebonds :

Le fait que le nez ou extrémité du guide-chaîne touche un objet ou que le bois se referme et pince la chaîne coupante dans la coupe peut provoquer des rebonds.

Le contact avec l'extrémité peut dans certains cas provoquer un retour soudain, et renvoyer brutalement le guide-chaîne vers l'utilisateur.

Pincer la chaîne coupante sur le dessus du guide-chaîne peut aussi renvoyer brusquement ce dernier vers l'utilisateur.

L'une ou l'autre de ces réactions pourra causer la perte de contrôle de la scie et poser des risques de dommages corporels graves. Ne pas se fier uniquement aux dispositifs de sécurité intégrés à la scie. Tout utilisateur de scie à chaîne se doit de suivre un certain processus pour éviter tout dommage corporel lors de la coupe.

Les rebonds proviennent d'une utilisation inadéquate de l'outil et/ou d'une procédure ou de conditions d'utilisation incorrectes, et peuvent être évités en prenant les précautions appropriées détaillées ci-après :

- **Maintenir la scie à chaîne fermement à deux mains avec le pouce et les doigts soigneusement resserrés autour des poignées et positionner les bras et le corps de façon à pouvoir résister à toute force de rebonds.** En prenant les précautions adéquates, les forces de rebonds peuvent être contrôlées par l'utilisateur. Ne pas lâcher la scie à chaîne.
- **Ne pas couper hors de portée ni au-dessus des épaules.** Cela aide à prévenir tout contact involontaire avec l'extrémité de la scie à chaîne et de mieux la contrôler dans les situations inattendues.
- **N'utiliser que des guides-chaînes ou des chaînes spécifiquement recommandés par le fabricant.** Tout remplacement avec des guides-chaînes ou chaînes incorrects pourra faire que la chaîne se brise, ou provoquer des rebonds.
- **Suivre les instructions du fabricant quant à l'aiguisage ou l'entretien de la chaîne coupante.** Le fait de diminuer la dimension du limiteur de profondeur pourra augmenter les rebonds.

Dispositifs de sécurité anti-rebonds



AVERTISSEMENT : pour réduire les risques de rebonds, votre scie est équipée des dispositifs suivants. Ces dispositifs ne pourront cependant pas éliminer complètement cette réaction dangereuse. En tant qu'utilisateur de scie à chaîne ne pas s'en remettre complètement à ces dispositifs. Suivre toute directive et précaution de sécurité et d'entretien incluses dans

ce manuel pour prévenir tout rebond ou autre force posant des risques de dommages corporels graves.


- Un guide-chaîne anti-rebonds avec embout à petit rayon réduira la taille de la zone prône aux rebonds sur le guide. Un guide-chaîne anti-rebonds est considéré comme tel quand il a été démontré réduire de façon significative le nombre et la gravité des rebonds au cours de tests de conformité relatifs aux scies à chaîne électriques.
- Les chaînes anti-rebonds sont conçues avec un limiteur de profondeur profilé et un protège-maillons pour dévier la force de rebond et permettre d'entailler graduellement le bois. Une chaîne anti-rebond est une chaîne reconnue conforme aux normes ANSI B175.1. 1-2012.

Glossaire terminologique de la scie à chaîne


- **Tronçonnage** – Représente la découpe transversale d'un arbre au sol ou d'une bûche en morceaux.
- **Frein moteur** – Un dispositif utilisé pour arrêter la chaîne coupante lorsque la gâchette est relâchée.
- **Tête motorisée de la scie à chaîne** – La scie à chaîne sans la chaîne coupante et le guide-chaîne.
- **Pignon d'entraînement ou dent de pignon** – La partie dentée entraînant la chaîne coupante.
- **Abattage** - Le processus d'abattre un arbre au sol.
- **Trait d'abattage** – La dernière entaille au cours de l'abattage fait à l'opposé de l'entaille d'abattage.
- **Poignée avant** – La poignée de soutien située à l'avant ou vers l'avant de la scie à chaîne.
- **Carter avant** – Une protection structurelle entre la poignée avant de la scie à chaîne et le guide-chaîne, habituellement située à proximité de la position de la main sur la poignée avant.
- **Guide-chaîne** – Une solide structure de rail supportant et guidant la chaîne coupante.
- **Fourreau du guide-chaîne** – Étui enfilé sur le guide-chaîne pour prévenir tout contact avec les dents hors utilisation de la scie.
- **Rebonds** – Le mouvement arrière ou vertical, ou les deux simultanément, du guide-chaîne lorsque la chaîne coupante entre en contact au niveau de l'extrémité supérieure du nez du guide-chaîne avec un objet comme une branche ou un tronc, or lorsque le bois se referme et pince la chaîne coupante dans la coupe.
- **Rebonds par pincement** – Le retour rapide de la scie qui peut se produire lorsque le bois se referme et pince la scie en mouvement dans la coupe le long de la partie supérieure du guide-chaîne.
- **Rebonds par rotation** – Le mouvement rapide vertical et arrière de la scie qui peut arriver lorsque la chaîne coupante au niveau supérieur de l'extrémité du guide-chaîne entre en contact avec un objet, comme une bûche ou une branche.
- **Ébranchage** – Le retrait des branches d'un arbre abattu.
- **Chaîne anti-rebonds** - Une chaîne reconnue conforme aux normes ANSI B175.1-2012 relatives aux rebonds lors de tests effectués sur un échantillon de scies à chaîne.
- **Position normale de coupe** – Ces positions sont utilisées lors du tronçonnage et des traits d'abattage.
- **Entaille d'abattage** – L'entaille dans un arbre qui va diriger sa chute.

- *Poignée arrière* – La poignée de soutien située à l'arrière ou vers l'arrière de la scie.
- *Guide-chaîne anti-rebonds* – Un guide-chaîne qui a été démontré réduire de façon significative les rebonds.
- *Chaîne coupante de rechange* – Une chaîne reconnue conforme aux normes ANSI B175.1-2000 relatives aux rebonds lors de tests effectués sur un échantillon de scies à chaîne. Il se peut qu'elle ne soit pas conforme aux normes ANSI lorsqu'elle peut être utilisée sur d'autres scies.
- *Chaîne coupante* – Une chaîne dentée en boucle pour découper le bois, entraînée par un moteur et supportée par un guide-chaîne.
- *Butées cannelées* – Les rainures utilisées pendant l'abattage ou le tronçonnage pour faire pivoter la scie et maintenir la position lors du sciage.
- *Interrupteur* – Un dispositif permettant d'alimenter (ou d'interrompre l'alimentation) en courant électrique le moteur de la scie à chaîne.
- *Bielle* – Le mécanisme transmettant le mouvement entre la gâchette et l'interrupteur.
- *Verrou d'interrupteur* – Une butée mobile prévenant toute mise en marche involontaire de l'interrupteur jusqu'à son activation manuelle

Consigne de sécurité supplémentaire

 **AVERTISSEMENT** : porter **SYSTEMATIQUÉMENT** des lunettes de protection. Les lunettes courantes NE sont PAS des lunettes de protection. Utiliser aussi un masque antipoussières si la découpe doit en produire beaucoup. **PORTER SYSTEMATIQUÉMENT UN ÉQUIPEMENT DE SÉCURITÉ HOMOLOGUÉ** :

- Protection oculaire ANSI Z87.1 (CAN/CSA Z94.3) ;
- Protection auditive ANSI S12.6 (S3.19) ;
- Protection des voies respiratoires NIOSH/OSHA/MSHA.


 **AVERTISSEMENT** : les scies, meules, ponceuses, perceuses ou autres outils de construction peuvent produire des poussières contenant des produits chimiques reconnus par l'État californien pour causer cancers, malformations congénitales ou être nocifs au système reproducteur. Parmi ces produits chimiques, on retrouve :


- Le plomb dans les peintures à base de plomb ;
- La silice cristallisée dans les briques et le ciment, ou autres produits de maçonnerie ; et
- L'arsenic et le chrome dans le bois ayant subi un traitement chimique.


Le risque associé à de telles expositions varie selon la fréquence à laquelle on effectue ces travaux. Pour réduire toute exposition à ces produits : travailler dans un endroit bien aéré, en utilisant du matériel de sécurité homologué, tel un masque antipoussières spécialement conçu pour filtrer les particules microscopiques.

- **Limiter toute exposition prolongée avec les poussières provenant du ponçage, sciage, meulage, perçage ou toute autre activité de construction. Porter des vêtements de protection et nettoyer à l'eau savonneuse les parties du corps exposées.** Le fait de laisser la poussière pénétrer dans la bouche, les

yeux ou la peau peut favoriser l'absorption de produits chimiques dangereux.

 **AVERTISSEMENT** : cet outil peut produire et/ou répandre de la poussière susceptible de causer des dommages sérieux et permanents au système respiratoire. Utiliser systématiquement un appareil de protection des voies respiratoires homologué par le NIOSH ou l'OSHA. Diriger les particules dans le sens opposé au visage et au corps.

 **AVERTISSEMENT** : pendant l'utilisation, porter systématiquement une protection auditive individuelle adéquate homologuée ANSI S12.6 (S3.19). Sous certaines conditions et suivant la durée d'utilisation, le bruit émanant de ce produit pourrait contribuer à une perte de l'acuité auditive.
















 **ATTENTION** : après utilisation, ranger l'outil sur son côté, sur une surface stable, là où il ne pourra ni faire trébucher ni faire chuter quelqu'un. Certains outils équipés d'un large bloc-piles peuvent tenir à la verticale sur celui-ci, mais manquent alors de stabilité.

- **Gardez l'aire de travail libre de débris tel des troncs d'arbres, branches, pierres, clôtures, souches, etc.** Supprimer ou éviter tout obstacle que votre scie à chaîne pourrait heurter lors de la coupe d'une bûche ou branche particulière.
- **Coupez une seule bûche à la fois.**
- **Redoublez de prudence lors de la réinsertion de la lame dans une fente de coupe.** Insérer les dents de la chaîne dans la fente et faire tourner à plein régime avant de poursuivre la coupe du bois.
- **Ne pas tenter d'insérer la chaîne par le bout de lame ou de créer un alésage.**
- **Prendre garde du déplacement des bûches ou toute autre force qui pourrait pincer la chaîne.**
- **Ne pas tenter des opérations exigeant plus d'astuce ou d'expérience.** Lire toutes les instructions et apprendre le fonctionnement décrit dans les présentes avant d'utiliser l'outil.
- **Ne jamais faire fonctionner la scie à chaîne en la tenant d'une seule main!** Le travail d'une seule main pourrait causer des blessures graves à l'opérateur ou aux personnes attenantes. Les scies à chaîne sont conçues pour maintien des deux mains lors du travail et doivent seulement être utilisées de cette façon.
- **Relâchez la gâchette avant de déposer la scie au sol.**

L'étiquette apposée sur votre outil peut inclure les symboles suivants. Les symboles et leur définition sont indiqués ci-après :

V	volts	IPM	impacts par minute
Hz	hertz	RPM	revolutions per minute
min	minutes		
— — — or DC	courant continu	sfpm	pieds linéaires par minute (plpm)
Ⓢ	fabrication classe I (mis à la terre)	SPM (FPM)	fréquence par minute
.../min	par minute	A	ampères
BPM	battements par minute	W	watts

FRANÇAIS

 or AC..... courant alternatif	 radiation visible
 or AC/DC.... courant alternatif ou continu	 protection respiratoire
 fabrication classe II (double isolation)	 protection oculaire
n_0 vitesse à vide	 protection auditive
n vitesse nominale	 lire toute la documentation
 borne de terre	CTPM Course de travail par minute
 symbole d'avertissement	 Tout contact avec l'extrémité du guide-chaîne doit être évité
 Ne pas laisser sous la pluie	 Direction rotationnelle de la chaîne coupante
 Tout contact avec son extrémité pourra faire que le guide-chaîne soit rejeté soudainement verticalement et vers l'arrière, et causer des dommages corporels graves	 Utiliser systématiquement les deux mains lors de l'utilisation de la scie à chaîne

BLOCS-PILES ET CHARGEURS


Le bloc-piles n'est pas totalement chargé d'usine. Avant d'utiliser le bloc-piles et le chargeur, lire les consignes de sécurité ci-après puis suivre la procédure de chargement indiquée. Pour commander un bloc-piles de rechange, s'assurer d'en inclure le numéro de catalogue et la tension.

Cet outil fonctionne avec un chargeur DEWALT. S'assurer de bien lire toutes les consignes de sécurité avant toute utilisation du chargeur. Consulter le tableau en fin de manuel pour connaître les compatibilités entre chargeurs et blocs-piles.

LIRE TOUTES LES CONSIGNES

Consignes importantes de sécurité

les blocs-piles

 **AVERTISSEMENT : Lire toutes les instructions et toutes les consignes de sécurité propres au bloc-piles, au chargeur et à l'outil électrique. Tout manquement aux avertissements et instructions pose des risques de décharges électriques, d'incendie et/ou de blessures graves.**

- **Ne pas recharger ou utiliser un bloc-piles en milieu déflagrant, en présence, par exemple, de poussières, gaz ou liquides inflammables.** Le fait d'insérer ou retirer un bloc-piles de son chargeur pourrait causer l'inflammation de poussières ou d'émanations.
- **NE JAMAIS forcer l'insertion d'un bloc-piles dans un chargeur. NE modifier un bloc-piles d'AUCUNE façon pour le faire rentrer dans un chargeur incompatible, car il pourrait se briser et causer des dommages corporels graves.** Consulter le tableau en dernière page de ce manuel pour connaître les compatibilités entre chargeurs et blocs-piles.

- Recharger les blocs-piles exclusivement dans des chargeurs DEWALT.
- **NE PAS** éclabousser le bloc-piles ou l'immerger dans l'eau ou dans tout autre liquide.
- **Ne pas entreposer ou utiliser l'appareil et le bloc-piles en présence de températures ambiantes pouvant excéder 40 °C (104 °F) (comme dans des hangars ou des bâtiments métalliques l'été).** Pour préserver leur durée de vie, entreposer les blocs-piles dans un endroit frais et sec.

REMARQUE : ne pas mettre un bloc-piles dans un outil dont la gâchette est verrouillée en position de marche. Ne jamais bloquer l'interrupteur en position de MARCHÉ.

- **Ne pas incinérer le bloc-piles même s'il est sévèrement endommagé ou complètement usagé, car il pourrait exploser et causer un incendie.** Pendant l'incinération des blocs-piles au lithium-ion, des vapeurs et matières toxiques sont dégagées.
- **En cas de contact du liquide de la pile avec la peau, rincer immédiatement au savon doux et à l'eau.** En cas de contact oculaire, rincer l'œil ouvert à l'eau claire une quinzaine de minutes ou jusqu'à ce que l'irritation cesse. Si des soins médicaux s'avéraient nécessaires, noter que l'électrolyte de la pile est composé d'un mélange de carbonates organiques liquides et de sels de lithium.
- **Le contenu des cellules d'une pile ouverte peut causer une irritation respiratoire.** En cas d'inhalation, exposer l'individu à l'air libre. Si les symptômes persistent, consulter un médecin.



AVERTISSEMENT : risques de brûlure. Le liquide de la pile peut s'enflammer s'il est exposé à des étincelles ou à une flamme.



AVERTISSEMENT : risques d'incendie. Ne jamais tenter d'ouvrir le bloc-piles pour quelque raison que ce soit. Si le boîtier du bloc-piles est fissuré ou endommagé, ne pas l'insérer dans un chargeur. Ne pas écraser, laisser tomber, ou endommager les blocs-piles. Ne pas utiliser un bloc-piles ou un chargeur qui a reçu un choc violent, ou si l'appareil est tombé, a été écrasé ou endommagé de quelque façon que ce soit (p. ex. percé par un clou, frappé d'un coup de marteau, piétiné). Les blocs-piles endommagés doivent être renvoyés à un centre de réparation pour y être recyclés.

Transport



AVERTISSEMENT : risques d'incendie. Au moment de ranger ou transporter le bloc-piles, veiller à protéger ses bornes à découvert de tout objet métallique. Par exemple, éviter de placer le bloc-piles dans un tablier, une poche, une boîte à outils ou un tiroir, etc. contenant des objets tels que clous, vis, clés, etc. **Le fait de transporter des blocs-piles comporte des risques d'incendie, car les bornes des piles pourraient entrer, par inadvertance, en contact avec des objets conducteurs, tels que : clés, pièces de monnaie, outils ou autres.** La réglementation sur les produits dangereux

(Hazardous Material Regulations) du département américain des transports interdit, en fait, le transport des blocs-piles dans les commerces ou dans les avions dans les bagages de cabine, À MOINS qu'ils ne soient correctement protégés de tout court-circuit. Aussi lors du transport individuel de blocs-piles, s'assurer que leurs bornes sont bien protégées et isolées de tout matériau pouvant entrer en contact avec elles et provoquer un court-circuit.

Expédition du bloc-piles DEWALT FLEXVOLT^{MC}

Le bloc-piles DEWALT FLEXVOLT^{MC} possède deux modes :

Utilisation et Expédition.

Mode Utilisation : lorsque le bloc-piles FLEXVOLT^{MC} est par lui-même ou dans un produit DEWALT 20 v max*, il fonctionnera comme un bloc-piles de 20 v max*. Lorsque le bloc-piles FLEXVOLT^{MC} est dans un produit de 60 v max* ou 120 v max* (deux blocs-piles de 60 v max*), il fonctionnera comme un bloc-piles de 60 v max*.

Mode Expédition : lorsque

le capuchon est inséré sur le bloc-piles FLEXVOLT^{MC}, le bloc-piles est en mode Expédition. Les modules

de cellules sont électriquement déconnectés du bloc le faisant correspondre à trois blocs-piles d'un wattheure (Wh) inférieur comparé à un bloc-piles de wattheure élevé. Ce passage à trois blocs-piles à un wattheure inférieur peut permettre au bloc-piles d'être exempté de suivre certaines directives d'expédition imposées sur les blocs-piles de wattheure supérieur.

L'étiquette du bloc-piles donne deux estimations de wattheures (se reporter à l'exemple). Selon comment le bloc-piles est expédié, l'estimation appropriée de wattheure doit être utilisée pour déterminer les modalités d'expédition lui correspondant. Si le capuchon d'expédition est utilisé, le bloc-piles sera considéré comme 3 blocs-piles au wattheure indiqué pour « Expédition ». S'il est expédié sans le capuchon ou dans un outil, le bloc-piles sera considéré comme un seul bloc-piles au wattheure indiqué à côté de « Utilisation ».

Exemple d'étiquetage d'utilisation et d'expédition

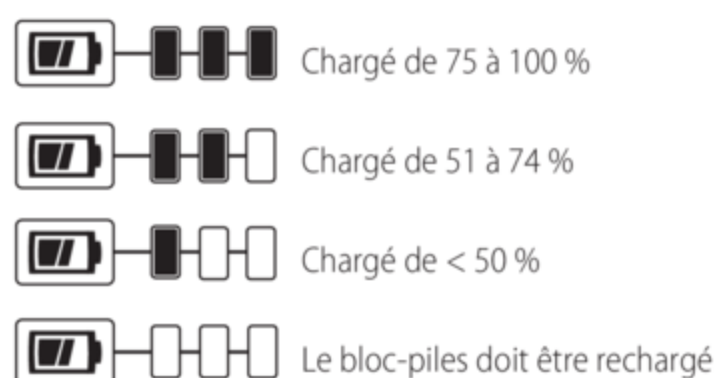
USE: 120 Wh Shipping: 3 x 40 Wh

Par exemple, le Wh de expédition pourra indiquer 3 x 40 Wh, ce qui correspond à 3 blocs-piles de 40 wattheures chacun. L'utilisation du Wh pourra indiquer 120 Wh (sous-entendu 1 bloc-piles).

Témoin de Charge du Bloc-Piles (Fig. B)

Certains blocs-piles DEWALT possèdent un témoin de charge qui consiste en trois voyants Del verts indiquant le niveau de charge du bloc-piles.

Le témoin de charge indique approximativement le niveau de charge restant dans le bloc-piles en fonction des voyants suivants :



Pour activer le témoin de charge, maintenez appuyé le bouton du témoin de charge. Une combinaison des trois voyants Del verts s'allumera indiquant le niveau de charge. Lorsque le niveau de charge du bloc-pile atteint la limite minimale d'utilisation, le témoin de charge reste éteint et le bloc-piles doit être rechargé.

Fig. B



REMARQUE : le témoin de charge ne fait qu'indiquer le niveau de charge du bloc-piles. Il ne donne aucune indication quant au fonctionnement de l'outil. Son propre fonctionnement pourra aussi varier en fonction des composants produit, de la température et de l'application d'utilisation.

Pour plus d'informations quant au témoin de charge du bloc-piles, veuillez appeler le 1-800-4-DEWALT (1-800-433-9258) ou vous rendre sur notre site www.dewalt.com.

Le sceau SRPRC[®]

Le sceau SRPRC[®] (Société de recyclage des piles rechargeables du Canada) apposé sur une pile au nickel-cadmium, à hydrure métallique de nickel ou au lithium-ion (ou un bloc-piles) indique que les coûts de recyclage de ces derniers en fin d'utilisation ont déjà été réglés par DEWALT. Dans certaines régions, la mise au rebut ou aux ordures municipales des piles au nickel-cadmium, à l'hydrure métallique de nickel ou au lithium-ion, est illégale ; le programme de l'Appel à Recycler[®] constitue donc une solution pratique et écologique.

Appel à Recycler Canada, Inc., en collaboration avec DEWALT et d'autres utilisateurs de piles, a mis sur pied de programme aux États-Unis et au Canada pour faciliter la collecte des piles au nickel-cadmium, à l'hydrure métallique de nickel ou au lithium-ion usagées. Aidez-nous à protéger l'environnement et à conserver nos ressources naturelles en renvoyant les piles au nickel-cadmium, à l'hydrure métallique de nickel ou au lithium-ion usagées à un centre de réparation autorisé DEWALT ou chez votre détaillant afin qu'elles y soient recyclées. On peut en outre se renseigner auprès d'un centre de recyclage local pour connaître d'autres sites les acceptant.

SRPRC[®] est une marque déposée de l'Appel à Recycler Canada, Inc.



Directives de sécurité importantes propres à tous les chargeurs de piles

⚠ **AVERTISSEMENT** : Lire toutes les instructions et toutes les consignes de sécurité propres au bloc-piles, au chargeur et à l'outil électrique. Tout manquement aux avertissements et instructions pose des risques de décharges électriques, d'incendie et/ou de blessures graves.

- **NE PAS tenter de charger de bloc-piles avec des chargeurs autres que ceux décrits dans ce manuel.** Le chargeur et son bloc-piles ont été conçus tout spécialement pour fonctionner ensemble.
- **Ces chargeurs n'ont pas été conçus pour une utilisation autre que recharger les blocs-piles rechargeables DEWALT.** Toute autre utilisation comporte des risques d'incendie, de chocs électriques ou d'électrocution.
- **Protéger le chargeur de la pluie ou de la neige.**
- **Tirer sur la fiche plutôt que sur le cordon pour débrancher le chargeur.** Cela permet de réduire les risques d'endommager la fiche ou le cordon d'alimentation.
- **S'assurer que le cordon est protégé de manière à ce que personne ne marche ni ne trébuche dessus, ou à ce qu'il ne soit ni endommagé ni soumis à aucune tension.**
- **N'utiliser une rallonge qu'en cas de nécessité absolue.** L'utilisation d'une rallonge inadéquate comporte des risques d'incendie, de chocs électriques ou d'électrocution.
- **Pour utiliser un chargeur à l'extérieur, le placer dans un endroit sec et utiliser une rallonge conçue pour l'extérieur.** L'utilisation d'une rallonge conçue pour l'extérieur réduit les risques de chocs électriques.
- **Pour la sécurité de l'utilisateur, utiliser une rallonge de calibre adéquat (AWG, American Wire Gauge [calibrage américain normalisé des fils électriques]).** Plus le calibre est petit, et plus sa capacité est grande. Un calibre 16, par exemple, a une capacité supérieure à un calibre 18. L'usage d'une rallonge de calibre insuffisant causera une chute de tension qui entraînera perte de puissance et surchauffe. Si plus d'une rallonge est utilisée pour obtenir une certaine longueur, s'assurer que chaque rallonge présente au moins le calibre de fil minimum. Le tableau ci-dessous illustre les calibres à utiliser selon la longueur de rallonge et l'intensité nominale indiquée sur la plaque signalétique. En cas de doute, utiliser le calibre suivant. Plus le calibre est petit, plus la rallonge peut supporter de courant.

Calibre minimum pour les cordons d'alimentation

Volts	Longueur totale du cordon d'alimentation en mètre (pieds)				
	7,6 (25)	15,2 (50)	30,5 (100)	45,7 (150)	
120 V	7,6 (25)	15,2 (50)	30,5 (100)	45,7 (150)	
240 V	15,2 (50)	30,5 (100)	61,0 (200)	91,4 (300)	
Ampères		AWG			
Plus que	Pas plus que				
0	6	18	16	16	14
6	10	18	16	14	12
10	12	16	16	14	12
12	16	14	12	Non recommandé	

- **Ne poser aucun objet sur le chargeur. Ne pas mettre le chargeur sur une surface molle qui pourrait en bloquer la ventilation et provoquer une surchauffe interne.** Éloigner le chargeur de toute source de chaleur. Le chargeur dispose d'orifices d'aération sur le dessus et le dessous du boîtier.
- **Ne pas le faire fonctionner avec un cordon d'alimentation ou une fiche endommagée.**
- **Ne pas utiliser le chargeur s'il a reçu un coup, fait une chute ou a été endommagé de quelque façon que ce soit.** Le ramener dans un centre de réparation agréé.
- **Ne pas démonter le chargeur. Pour tout service ou réparation, le rapporter dans un centre de réparation agréé.** Le fait de le réassembler de façon incorrecte comporte des risques de chocs électriques, d'électrocution et d'incendie.
- **Débrancher le chargeur du secteur avant tout entretien.** Cela réduira tout risque de chocs électriques. Le fait de retirer le bloc-piles ne réduira pas ces risques.
- **NE JAMAIS tenter de connecter 2 chargeurs ensemble.**
- **Le chargeur a été conçu pour être alimenté en courant électrique domestique standard de 120 volts. Ne pas tenter de l'utiliser avec toute autre tension.** Cela ne s'applique pas aux chargeurs de postes mobiles.

⚠ **AVERTISSEMENT** : risques de chocs électriques. Ne laisser aucun liquide pénétrer dans le chargeur, des chocs électriques pourraient en résulter.

⚠ **AVERTISSEMENT** : risques de brûlure. Ne submerger le bloc-piles dans aucun liquide et le protéger de toute infiltration de liquide. Ne jamais tenter d'ouvrir le bloc-piles pour quelque raison que ce soit. Si le boîtier plastique du bloc-piles est brisé ou fissuré, le retourner dans un centre de réparation pour y être recyclé.

⚠ **ATTENTION** : risques de brûlure. Pour réduire tout risque de dommages corporels, ne recharger que des blocs-piles rechargeables DEWALT. Tout autre type de piles pourrait exploser et causer des dommages corporels et matériels.

AVIS : sous certaines conditions, lorsque le chargeur est connecté au bloc d'alimentation, des matériaux étrangers pourraient court-circuiter le chargeur. Les corps étrangers conducteurs tels que (mais pas limité à) poussières de rectification, débris métalliques, laine

d'acier, feuilles d'aluminium, ou toute accumulation de particules métalliques doivent être maintenus à distance des orifices du chargeur. Débrancher systématiquement le chargeur lorsque le bloc-piles n'y est pas inséré. Débrancher systématiquement le chargeur avant tout entretien.

Homologation du matériel sans fil et informations sécurité

- Cet appareil est conforme à la norme CAN ICES-3(B)/NMB-3(B).
- Cet appareil est conforme au paragraphe 15 du règlement du FCC et à la (aux) norme(s) RSS exempté(s) de licence d'Industrie Canada. Son utilisation est sujette aux deux conditions suivantes :
 - Ce dispositif ne doit pas causer d'interférences nuisibles; et
 - Ce dispositif doit accepter toute interférence reçue, y compris toute interférence pouvant causer un fonctionnement indésirable.

Cet équipement a été testé et jugé conforme aux limites propres aux appareils numériques de Classe B, conformément au Paragraphe 15 du règlement du FCC. Ces limites sont destinées à offrir une protection raisonnable contre les interférences nuisibles d'une installation résidentielle.

Cet équipement produit, utilise et peut émaner des ondes radiofréquences qui, s'il n'est pas installé et utilisé conformément aux directives, pourront causer des interférences nuisibles aux communications radio. Cependant, en fonction des installations réalisées, l'absence d'interférences n'est pas garantie. Si cet équipement cause des interférences nuisibles à la réception radio ou télévision (ce qui peut être déterminé par la mise sous/hors tension de cet équipement) l'utilisateur est encouragé à tenter de corriger ces interférences en prenant l'une ou plusieurs des mesures suivantes :

- Réorienter l'antenne de réception ou en changer l'emplacement.
- Augmenter la distance entre l'équipement et le récepteur.
- Brancher l'équipement à une prise située sur un circuit différent de celui sur lequel le récepteur est connecté.
- Contacter un revendeur ou consulter un technicien radio/télé qualifié.
- Tout changement ou toute modification à l'appareil qui ne serait pas expressément approuvé par le fabricant pourra annuler les droits de l'utilisateur à employer cet équipement. Cet appareil numérique de Classe B est conforme aux normes canadiennes ICES-003.
- Conformément aux réglementations d'Industrie Canada, cet émetteur radio ne peut fonctionner qu'avec une antenne dont le type et le gain maximal (ou d'une valeur moindre) sont homologués par Industrie Canada pour cet émetteur. Pour réduire toute interférence radio potentielle pouvant affecter les autres utilisateurs, le type d'antenne et ses gains devraient être choisis de façon à ce que la puissance isotrope rayonnée équivalente ne soit pas supérieure aux limites permettant la communication.
- Pour être conforme aux limites d'irradiations RF pour la population en général du FCC et d'Industrie Canada, l'antenne utilisée avec cet appareil ne doit pas être placée

ou utilisée conjointement avec tout autre émetteur ou toute autre antenne.

Pour les produits Bluetooth^{MD}

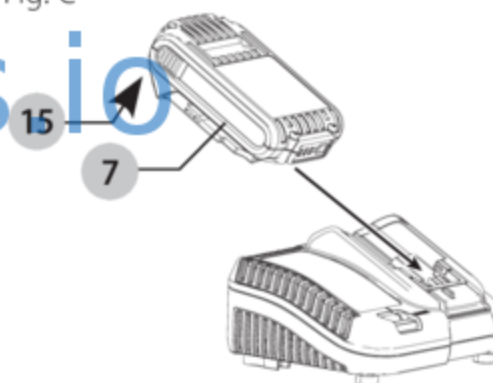
- Avant de voyager en avion, s'assurer de suivre les restrictions des compagnies aériennes quant à l'utilisation d'appareils électroniques et Bluetooth^{MD} personnels.
- La fonctionnalité d'alarme hors plage a été conçue pour servir à aider à alerter en cas de perte ou vol de produits. Ce n'est pas un système de sécurité.
- La plage de connectivité peut aller jusqu'à 30.5 meters (100 pieds) en fonction de l'environnement et des lieux.
- Les signaux de radiofréquences ondes courtes d'un appareil Bluetooth^{MD} pourront affecter les opérations d'autres appareils électroniques ou médicaux (comme les stimulateurs cardiaques ou les appareils acoustiques).

REMARQUE : le terme et les logos Bluetooth^{MD} sont des marques déposées appartenant à Bluetooth^{MD}, SIG, Inc. et toute utilisation de ces marques par DEWALT est autorisée par licence. Toute autre marque de commerce et appellation commerciale reste la propriété de leurs propriétaires respectifs. Ce produit est conforme à ces standards lorsqu'il est utilisé avec un cordon de 1 m 80 (6 pi) ou moins.

Chargement du bloc-piles (Fig. C)

1. Branchez le chargeur dans la prise appropriée avant d'y insérer le bloc-piles.

Fig. C



2. Insérer le bloc-piles 7 dans le chargeur, en vous assurant qu'il y est correctement calé. Le voyant rouge (charge) clignotera de façon continue indiquant que le cycle de chargement a commencé.
3. En fin de charge, le voyant rouge restera ALLUMÉ de façon continue. Le bloc-piles est alors complètement rechargé et peut être utilisé ou laissé dans le chargeur. Pour retirer le bloc-piles du chargeur, appuyez sur le bouton de libération du bloc-piles 15 sur le bloc-piles.

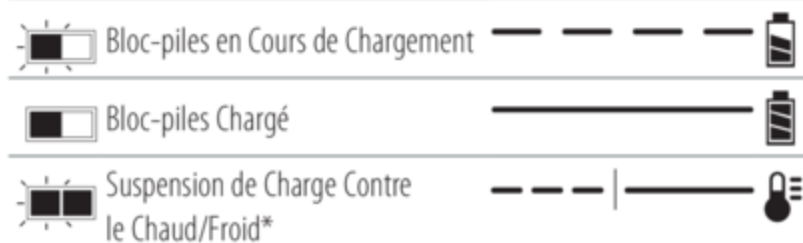
REMARQUE : pour assurer des performances optimales et une durée de vie maximale des blocs-piles au lithium-ion, recharger pleinement le bloc-piles avant toute utilisation initiale.

Utilisation du chargeur

Reportez-vous aux indications du tableau ci-dessous pour consulter le statut de charge du bloc-piles.

FRANÇAIS

DCB107, DCB112, DCB113, DCB115, DCB118, DCB132



*DCB107, DCB112, DCB113, DCB115, DCB118, DCB132:

le voyant rouge ne cessera de clignoter, mais un voyant jaune restera allumé pendant cette opération. Lorsque le bloc-piles aura repris une température appropriée, le voyant jaune s'éteindra et le chargeur reprendra sa procédure de charge.

Le chargeur ne pourront recharger des blocs-piles défectueux. Le chargeur indiquera qu'un bloc-piles est défectueux en refusant de s'allumer ou en affichant bloc-piles ou chargeur défectueux.

REMARQUE : cela pourra aussi indiquer un problème avec le chargeur.

Si le problème provient du chargeur, faites vérifier le chargeur et le bloc-piles chez un centre de réparation agréé.

Fonction de suspension de charge contre le chaud/ froid

Lorsque le chargeur détecte un bloc-piles trop chaud ou trop froid, il démarre automatiquement la fonction de suspension de charge contre le chaud, suspendant le chargement jusqu'à ce que le bloc-piles ait repris une température appropriée. Le chargeur ensuite se remettra automatiquement en mode de chargement. Cette caractéristique assure aux blocs-piles une durée de vie maximale.

Un bloc-piles froid se rechargera moins vite qu'un bloc-piles chaud. Le bloc-piles se rechargera à ce rythme plus lent tout au cours du cycle de charge et ne retournera pas à sa vitesse maximale de charge même s'il venait à se réchauffer.

Le chargeur DCB118 est équipé d'un ventilateur interne destiné à refroidir le bloc-piles. Le ventilateur se mettra automatiquement en marche chaque fois que le bloc-piles aura besoin de se refroidir.

N'utilisez jamais le chargeur si le ventilateur ne fonctionne pas correctement ou si ses fentes d'aération sont bloquées. Protégez systématiquement l'intérieur du chargeur de tout objet étranger.

Système de protection électronique

Les appareils au Li-Ion sont équipés d'un système électronique de protection pour protéger les blocs-piles de toute surcharge, surchauffe ou fuite importante.

L'appareil s'arrêtera automatiquement dès que le système électronique de protection sera activé. Si c'était le cas, placez le bloc-piles au lithium-ion sur son chargeur jusqu'à ce qu'il soit complètement rechargé.

Installation murale

DCB107, DCB112, DCB113, DCB115, DCB118, DCB132

Ces chargeurs ont été conçus pour une installation murale ou pour être posés sur une table ou une surface de travail. Pour une fixation murale, installez le chargeur à proximité

d'une prise électrique, et à l'écart de coins ou de toute autre obstruction au passage de l'air. Utilisez l'arrière du chargeur pour marquer l'emplacement des vis de montage sur le mur. Fixez soigneusement le chargeur à l'aide de vis autoforeuses (vendues séparément) d'au moins 25,4 mm (1 po) de long, et de diamètre de tête de 7-9 mm (0,28-0,35 po), que vous visserez dans le bois en laissant une longueur optimale d'environ 5,5 mm (7/32 po) exposée. Alignez les orifices à l'arrière du chargeur sur les vis exposées et insérez à fond ces dernières dans les orifices.

Instructions d'entretien du chargeur



AVERTISSEMENT : risques de chocs électriques.

Débrancher le chargeur de la prise de courant alternatif avant tout entretien. Éliminer toute saleté ou graisse de la surface externe du chargeur à l'aide d'un chiffon ou d'une brosse non métallique douce. N'utiliser ni eau ni aucun nettoyeur liquide.

Remarques importantes concernant le chargement

1. Pour augmenter la durée de vie du bloc-piles et optimiser son rendement, le recharger à une température ambiante de 18 ° à 24 °C (65 °F à 75 °F). NE PAS recharger le bloc-piles à une température inférieure à + 4,5 °C (+ 40 °F) ou supérieure à + 40 °C (+ 104 °F). C'est important pour prévenir tout dommage sérieux au bloc-piles.
2. Le chargeur et son bloc-piles peuvent devenir chauds au toucher pendant la charge. C'est normal et ne représente en aucun cas une défaillance du produit. Pour faciliter le refroidissement du bloc-piles après utilisation, éviter de laisser le chargeur ou le bloc-piles dans un local où la température ambiante est élevée comme dans un hangar métallique ou une remorque non isolée.
3. Si le bloc-piles ne se recharge pas correctement :
 - a. Vérifier le bon fonctionnement de la prise en y branchant une lampe ou tout autre appareil électrique.
 - b. Vérifier que la prise n'est pas contrôlée par un interrupteur qui coupe le courant lorsqu'on éteint les lumières.
 - c. Déplacer le chargeur et le bloc-piles dans un local où la température ambiante se trouve entre environ 18 ° et 24 °C (65 °F et 75 °F).
 - d. Si le problème persiste, amener l'outil, le bloc-piles et son chargeur dans un centre de réparation local.
4. Recharger le bloc-piles lorsqu'il ne produit plus assez de puissance pour effectuer un travail qu'il faisait facilement auparavant. NE PAS CONTINUER à l'utiliser dans ces conditions. Suivre la procédure de charge. Si nécessaire, il est aussi possible de recharger un bloc-piles partiellement déchargé sans effet nuisible sur le bloc-piles.
5. Les corps étrangers conducteurs tels que (mais pas limité à) poussières de rectification, débris métalliques, laine d'acier, feuilles d'aluminium,

ou toute accumulation de particules métalliques doivent être maintenus à distance des orifices du chargeur. Débrancher systématiquement le chargeur lorsque le bloc-piles n'y est pas inséré. Débrancher systématiquement le chargeur avant tout entretien.

6. Ne pas congeler ou immerger le chargeur dans l'eau ou tout autre liquide.

Recommandations de stockage

1. Le lieu idéal de rangement est un lieu frais et sec, à l'abri de toute lumière solaire directe et de toute température excessive.
2. Pour un stockage prolongé, il est recommandé d'entreposer le bloc-piles pleinement chargé dans un lieu frais et sec, hors du chargeur pour optimiser les résultats.

REMARQUE : les blocs-piles ne devraient pas être entreposés complètement déchargés. Il sera nécessaire de recharger le bloc-piles avant réutilisation.

CONSERVER CES CONSIGNES POUR UTILISATION ULTÉRIEURE

DESCRIPTION (FIG. A)

⚠ AVERTISSEMENT : ne jamais modifier l'outil électrique ni aucun de ses composants, car il y a risques de dommages corporels ou matériels.

Reportez-vous en figure A au début de ce manuel pour obtenir la liste complète des composants.

Usage Prévu

Votre scie à chaîne DEWALT DCCS620 est idéale pour l'élagage et la coupe de buche de 254 mm (10 po) de diamètre.

NE PAS les utiliser en milieu ambiant humide ou en présence de liquides ou de gaz inflammables.

Cette scie à chaîne est un outil électrique de professionnels.

NE PAS le laisser à la portée des enfants. Une supervision est nécessaire auprès de tout utilisateur non expérimenté.

MONTAGE

Installation du guide-chaîne et de la chaîne coupante (Fig. A, D–F, H)

⚠ ATTENTION : chaîne acérée. Porter systématiquement des gants de protection pour manipuler la chaîne. La chaîne est acérée et coupante même lorsqu'elle ne fonctionne pas.

⚠ AVERTISSEMENT : chaîne mobile acérée. Pour prévenir toute activation accidentelle, s'assurer que le bloc-piles a bien été retiré de l'outil avant d'effectuer les opérations suivantes. Tout manquement à cette règle pose des risques de dommages corporels graves.

Si la chaîne coupante **5** et le guide-chaîne **4** ont été emballés séparément dans un carton, la chaîne doit être rattachée au guide-chaîne, et l'ensemble doit être alors rattaché au corps de l'outil.

- Disposez la scie sur une surface plane et ferme.
- Relevez le levier de verrouillage et tournez le bouton de verrouillage du réglage de guide-chaîne **8** vers la

gauche, comme illustré en figure D, pour retirer le cache de dent de pignon **6**.

- Tout en portant des gants de protection, attrapez la chaîne coupante **5** et entourez-la autour du guide-chaîne **4** en vous assurant que les dents sont orientées dans la bonne direction (figure H).
- Assurez-vous que la chaîne est correctement calée dans sa rainure tout autour du guide-chaîne.
- Placez la chaîne coupante autour du pignon **18**, tout en alignant la rainure du guide-chaîne sur la goupille de tension de chaîne **20** et le boulon **19** sur la base de l'outil, comme illustré en figure E.
- Une fois installé, immobilisez le guide tout en réinstallant le cache de dent de pignon **6**. Assurez-vous que le trou de boulon du dispositif de serrage sans clé s'aligne bien sur le boulon **19** du boîtier principal. Relevez le levier de verrouillage puis tournez le bouton de verrouillage du réglage de guide-chaîne **8** vers la droite jusqu'à ce qu'un clic se fasse entendre, puis donnez au bouton un tour complet, de façon à ce que la chaîne coupante soit correctement tendue.
- Tournez le bouton de tension de chaîne **9** vers la droite pour augmenter la tension, comme illustré en figure F. Assurez-vous que la chaîne coupante **5** est bien serrée autour du guide-chaîne **4**. Resserrez le bouton de verrouillage du réglage de guide-chaîne jusqu'à ce qu'un clic se fasse entendre. Le guide est soigneusement arrimé lorsque trois clics se font entendre. Aucun autre resserrage n'est requis.

Fig. D

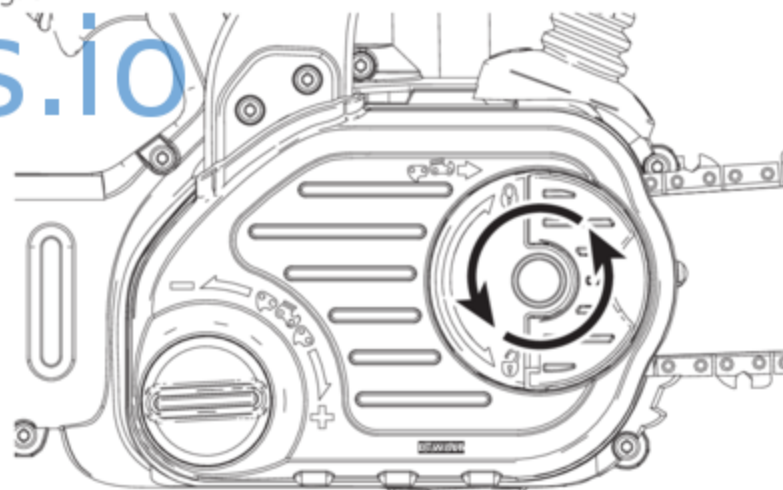


Fig. E

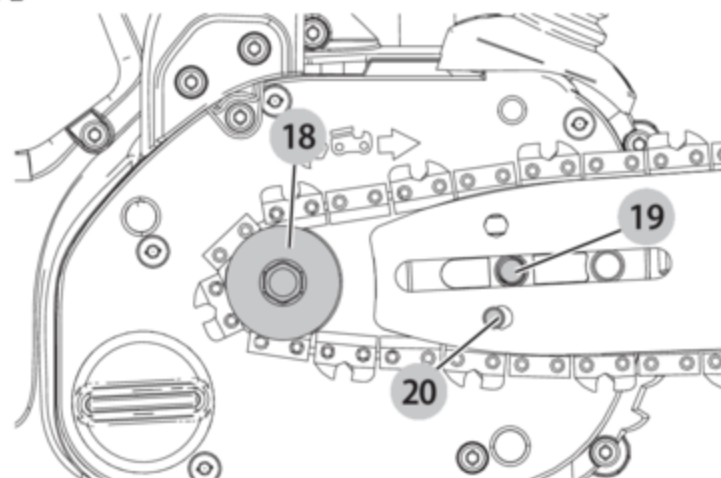
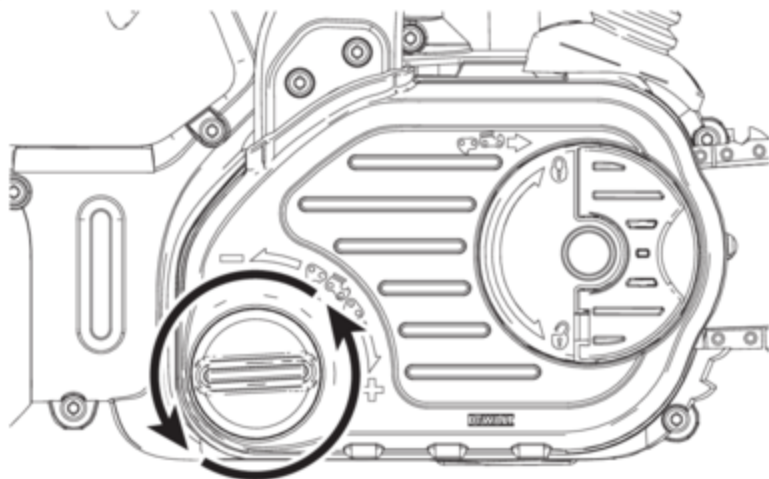


Fig. F



Réglage de la tension de la chaîne (Fig. A, G)

ATTENTION : chaîne acérée. Porter systématiquement des gants de protection pour manipuler la chaîne. La chaîne est acérée et coupante même lorsqu'elle ne fonctionne pas.

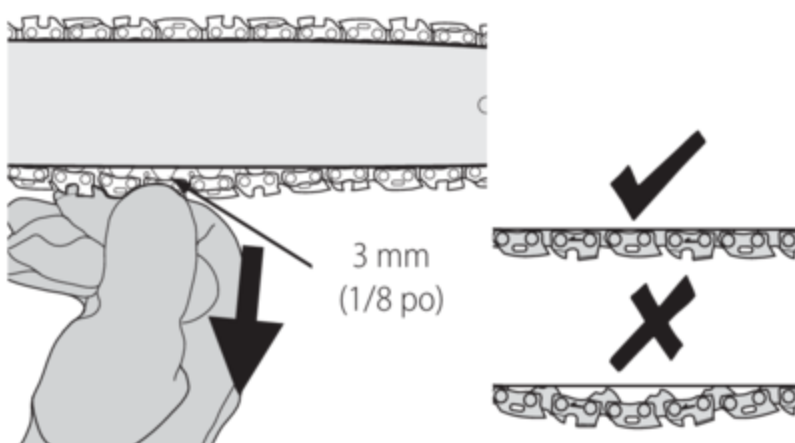
AVERTISSEMENT : chaîne mobile acérée. Pour prévenir toute activation accidentelle, s'assurer que le bloc-piles a bien été retiré de l'outil avant d'effectuer les opérations suivantes. Tout manquement à cette règle pose des risques de dommages corporels graves.

- Avec la scie posée sur une surface plane et ferme, vérifiez la tension de la chaîne coupante **5**. La tension est correcte lorsque la chaîne reprend instantanément sa place après avoir été tirée de 3 mm (1/8 po) hors du guide-chaîne **4** en forçant légèrement avec le pouce et l'index, comme illustré en figure I. La chaîne ne devrait pas pendre sous le guide-chaîne comme illustré en Figure G.
- Pour régler la tension de la chaîne coupante, relevez la patte de verrouillage et tournez le bouton de verrouillage de réglage de guide-chaîne **8** vers la gauche d'un tour complet. Tournez le bouton de tension de chaîne **9** vers la droite jusqu'à ce que la tension de chaîne soit adéquate comme indiqué ci-dessus.
- Attention à ne pas sur tendre la chaîne, car cela causerait une usure excessive et réduirait la durée de vie du guide et de la chaîne.
- Une fois la chaîne tendue correctement, resserrez soigneusement le bouton de verrouillage du réglage de guide-chaîne.

REMARQUE : le bouton de verrouillage du réglage de guide-chaîne est équipé d'un système de resserrage à verrou. Le cache de dent de pignon est soigneusement arrimé lorsque trois clics se font entendre. Aucun autre resserrage n'est requis.

- Lorsque la chaîne est neuve, vérifiez fréquemment la tension (après avoir retiré le bloc-piles) pendant les 2 premières heures d'utilisation, car une chaîne neuve se détendra légèrement.

Fig. G



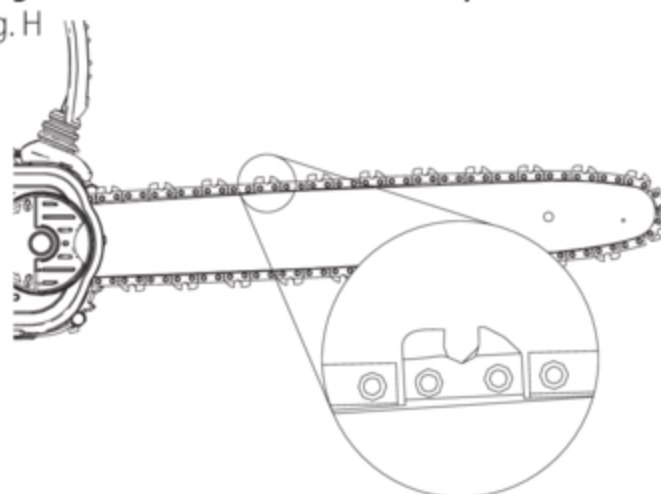
Remplacement de la chaîne coupante (Fig. A, H)

ATTENTION : chaîne acérée. Porter systématiquement des gants de protection pour manipuler la chaîne. La chaîne est acérée et coupante même lorsqu'elle ne fonctionne pas.

AVERTISSEMENT : chaîne mobile acérée. Pour prévenir toute activation accidentelle, s'assurer que le bloc-piles a bien été retiré de l'outil avant d'effectuer les opérations suivantes. Tout manquement à cette règle pose des risques de dommages corporels graves.

- Relevez la patte de verrouillage et tournez le bouton de verrouillage de réglage de guide-chaîne **8** vers la gauche pour relâcher la tension.
- Retirez le cache de dent de pignon **6**, comme expliqué à la section **Installation du guide-chaîne et de la chaîne coupante**.
- Retirez la chaîne coupante **5** usée de la rainure du guide-chaîne **4**.
- Placez la nouvelle chaîne dans la rainure du guide-chaîne, en vous assurant que les dents de scie sont orientées dans la bonne direction, c'est-à-dire que la flèche sur la chaîne cadre avec celle sur le cache de dent de pignon **6**, comme illustré en figure H.
- Suivez les instructions de la section **Installation du guide-chaîne et de la chaîne coupante**.

Fig. H



Chaîne et guide de rechange sont vendus séparément chez votre centre de service DeWalt le plus proche.

- Le modèle DCCS620 nécessite une chaîne de remplacement #DWRC1200, pièce numéro 90586162. Guide-chaîne de remplacement 12 po, pièce numéro N507300.

Lubrification de la chaîne coupante et du guide-chaîne (Fig. I)

Système autolubrifiant

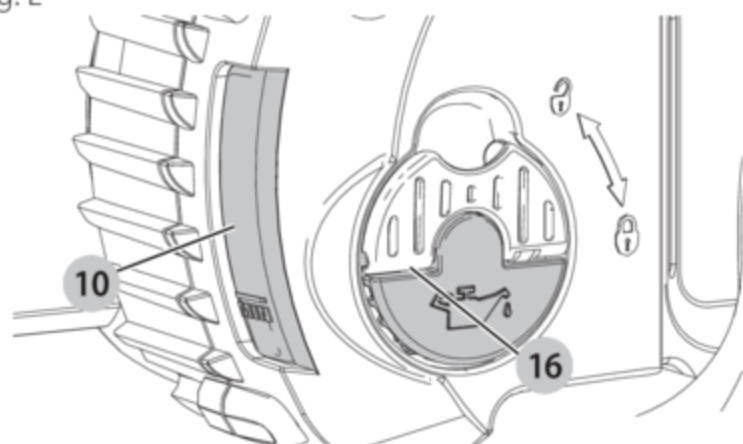
Cette chaîne coupante est équipée d'un système autolubrifiant qui maintient la chaîne et le guide-chaîne constamment lubrifiés. Le témoin de niveau d'huile **10** indique le niveau d'huile restant dans la scie à chaîne. Lorsque le niveau est inférieur au quart du réservoir, retirez le bloc-piles de la scie à chaîne et remplissez la scie avec le type d'huile adapté. Videz systématiquement le réservoir d'huile en fin de coupe.

REMARQUE : pour une lubrification optimale, utiliser une huile de guide et de chaîne de qualité supérieure. Temporairement, il est possible d'utiliser une huile moteur SAE30 non détergente. L'utilisation d'une huile végétale pour guide et chaîne est recommandée pour l'élagage des arbres. Les huiles minérales ne sont pas recommandées parce que nuisibles aux arbres. Ne jamais utiliser des huiles usagées ou très épaisses. Cela pourrait endommager la scie à chaîne.

Remplissage du réservoir à huile

- Abaissez le levier de verrouillage et dévissez vers la gauche d'un quart de tour le bouchon du réservoir d'huile **16** puis retirez-le. Remplissez le réservoir avec de l'huile recommandée pour guide et chaîne jusqu'au niveau supérieur du témoin de niveau d'huile **10**.
- Réinstallez le bouchon du réservoir d'huile et resserrez-le vers la droite d'un quart de tour. Relevez le levier de verrouillage sur sa position de verrouillage.
- Arrêtez périodiquement la scie à chaîne pour vérifier le témoin de niveau d'huile pour vous assurer que le guide et la chaîne seront correctement lubrifiés.

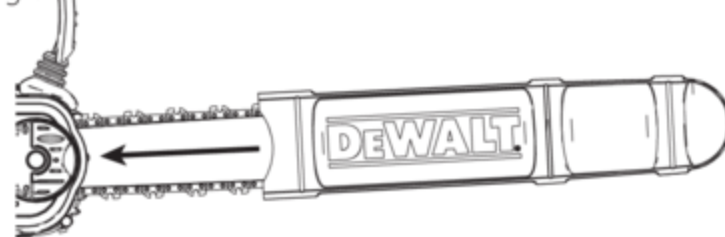
Fig. L



Transport de la scie (Fig. A, J)

- Retirez systématiquement le bloc-piles de l'outil et recouvrez le guide-chaîne **4** de son fourreau **11** avant de transporter la scie (figure J).
- Activez le frein de chaîne en poussant le frein de chaîne/carter de poignée avant **3** vers l'avant.

Fig. J



UTILISATION

AVERTISSEMENT : pour réduire le risque de blessures graves, éteindre l'outil et retirer le bloc-piles avant d'effectuer tout réglage et d'enlever ou d'installer tout accessoire. Un démarrage accidentel peut provoquer des blessures.

Installation et retrait du bloc-piles (Fig. K, L)

REMARQUE : pour des résultats optimaux, s'assurer que le bloc-piles est complètement chargé.

Pour installer le bloc-piles **7** dans la poignée de l'outil, alignez le bloc-piles sur les rails dans la poignée de l'outil (Fig. K) et faites-le glisser fermement en place puis vérifiez qu'il ne s'en détachera pas.

Pour retirer le bloc-piles de l'outil, poussez sur le bouton de libération **15** et tirez fermement le bloc-piles hors de la poignée de l'outil (Fig. L). Insérez-le dans son chargeur comme décrit dans la section appropriée de ce manuel.

Fig. K

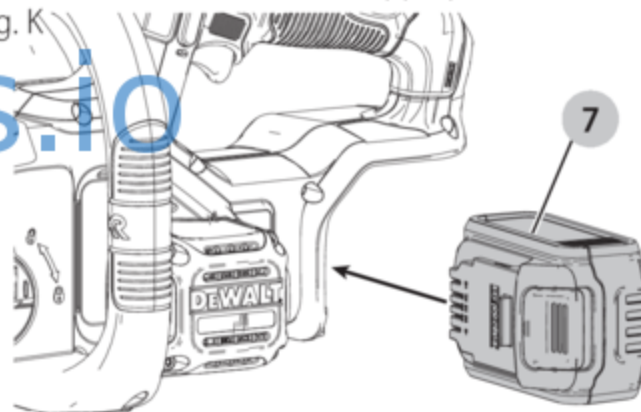
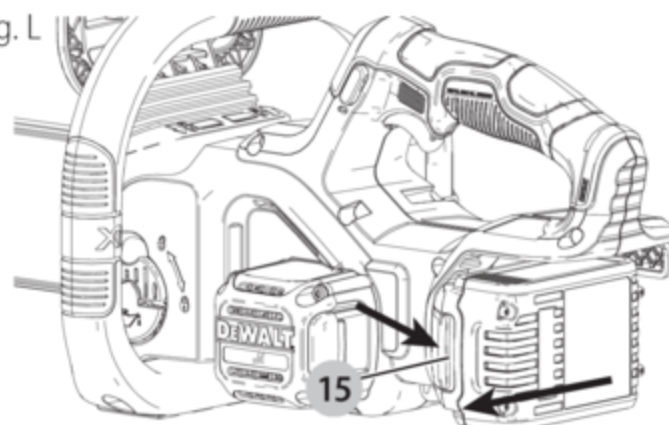


Fig. L



Position correcte des mains (Fig. A, M)

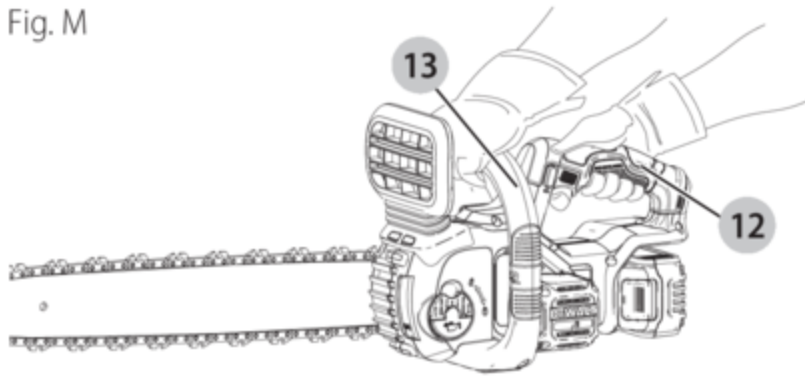
AVERTISSEMENT : pour réduire tout risque de dommages corporels graves, adopter **SYSTÉMATIQUEMENT** la position des mains illustrée.

AVERTISSEMENT : pour réduire tout risque de dommages corporels graves, maintenir **SYSTÉMATIQUEMENT** l'outil fermement pour anticiper toute réaction soudaine.

FRANÇAIS

La position correcte des mains requiert la main gauche sur la poignée avant **13** et la main droite sur la poignée arrière **12**.

Fig. M



Utilisation de la scie à chaîne (Fig. A, N–O)

AVERTISSEMENT : lire et comprendre toutes les directives. Le non-respect des directives suivantes pose des risques de décharges électriques, d'incendie et/ou de dommages corporels graves.

- Se protéger contre tout rebond pouvant être la cause de blessures graves ou même de fatalité. Se reporter à la section Directives de sécurité importantes pour se protéger des rebonds **pour limiter les risques de rebonds**.
- Ne pas effectuer de travaux hors de portée. Ne pas couper au-dessus de la poitrine. S'assurer d'avoir les deux pieds fermement ancrés au sol, légèrement écartés. Diviser le poids de façon égale sur les deux pieds.
- Agripper la scie fermement, la main gauche sur la poignée avant **13** et la main droite sur la poignée arrière **12** de façon à ce que le corps se trouve sur la gauche du guide-chaîne.
- Ne pas maintenir la scie à chaîne par le carter de poignée avant/frein de chaîne **3**. Verrouiller le coude du bras gauche de façon à ce que le bras gauche reste droit pour contrer tout rebond.

AVERTISSEMENT : ne jamais croiser la prise (main gauche sur la poignée arrière et main droite sur la poignée avant).

AVERTISSEMENT : ne jamais laisser aucune portion de votre corps se retrouver en alignement avec le guide-chaîne **4** pendant l'utilisation de la scie.

- Ne jamais l'utiliser posté sur un arbre, en position instable, sur une échelle ou sur toute autre surface instable. Perdre le contrôle de la scie pose des risques de dommages corporels graves.
- Maintenir la scie à chaîne à plein régime pendant toute la coupe.
- Laisser la chaîne faire le travail. Appliquer seulement une pression légère. Ne pas appliquer de pression sur la scie à chaîne en fin de coupe.

AVERTISSEMENT : après utilisation de la scie, activer systématiquement le frein de chaîne et retirer le bloc-piles.

Interrupteur marche/arrêt

Gardez toujours un pied sûr et agrippez l'outil fermement des deux mains en empoignant ses poignées.

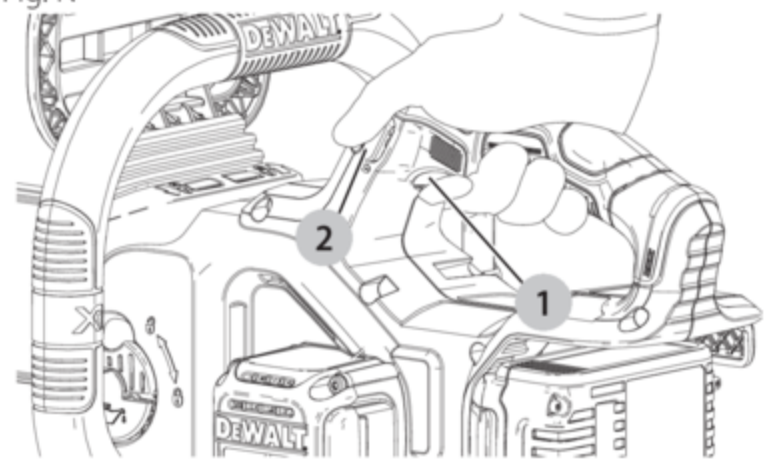
Avant de démarrer l'outil, s'assurer que le frein de chaîne n'est pas engagé. Glissez le levier de verrouillage **2** montré à la figure N et actionnez la gâchette **1**. Le levier de verrouillage pourra être relâché après que la chaîne est en mouvement.

Pour garder l'outil en marche, la gâchette doit être maintenue enfoncée. Pour arrêter l'outil, relâchez la gâchette.

REMARQUE : La chaîne s'arrêtera si une force trop grande lui est appliquée. Pour redémarrer la scie, vous devrez relâcher la gâchette **1** et puis l'actionner de nouveau. Poursuivez la coupe en appuyant moins fortement sur l'outil. Laissez la chaîne faire son travail.

AVERTISSEMENT : ne jamais tenter de verrouiller la gâchette en position de MARCHE.

Fig. N



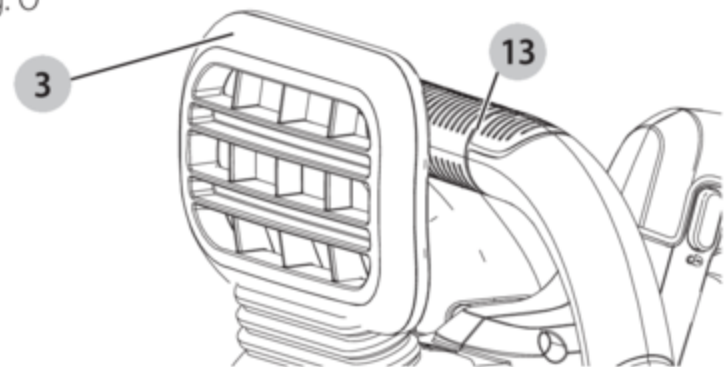
Réglage du frein de chaîne

Votre scie à chaîne est équipée d'un système électrique de frein de chaîne qui arrêtera rapidement la chaîne en cas de rebonds.

- Retirez le bloc-piles de l'outil.
- Pour activer le frein de chaîne, poussez vers l'avant le frein de chaîne/carter de poignée avant **3** jusqu'à ce qu'un clic se fasse entendre.
- Poussez le frein de chaîne/carter de poignée avant **3** vers la poignée avant **13**, sur sa position « activé », comme illustré en figure O.
- L'appareil est alors prêt à être utilisé.

REMARQUE : en cas de rebonds, votre main gauche entrera en contact avec le carter avant, et le poussera en avant vers la pièce à travailler. Cela arrêtera l'outil.

Fig. O



Test du frein de chaîne

Testez le frein de chaîne avant chaque utilisation pour vous assurer qu'il fonctionnera correctement.

- Disposez la scie sur une surface plane et ferme. Assurez-vous que la chaîne coupante **5** ne touche pas le sol.
- Agrippez fermement la scie à deux mains et démarrez-la.

- Faites glisser votre main gauche vers l'avant autour de la poignée avant **13** de façon à ce que votre main entre en contact avec le frein de chaîne/carter de poignée avant **3** et poussez-le vers l'avant, vers la pièce à travailler. La chaîne coupante devrait s'arrêter immédiatement.

REMARQUE : si ce n'est pas le cas, arrêter d'utiliser la scie et la ramener auprès du centre de réparation DEWALT le plus proche.

AVERTISSEMENT : s'assurer d'activer systématiquement le frein de chaîne avant chaque coupe.

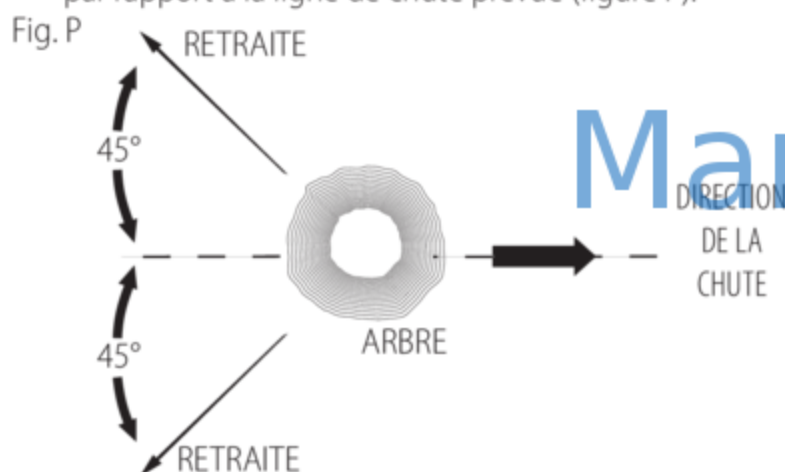
Techniques courantes de coupe (Fig. A, P, Q, R, S, T)

Abattage

Le processus d'abattre un arbre au sol. Assurez-vous que le bloc-piles est pleinement chargé avant d'abattre un arbre pour être sûr de pouvoir le faire en une charge. N'abattez pas les arbres en cas de vents violents.

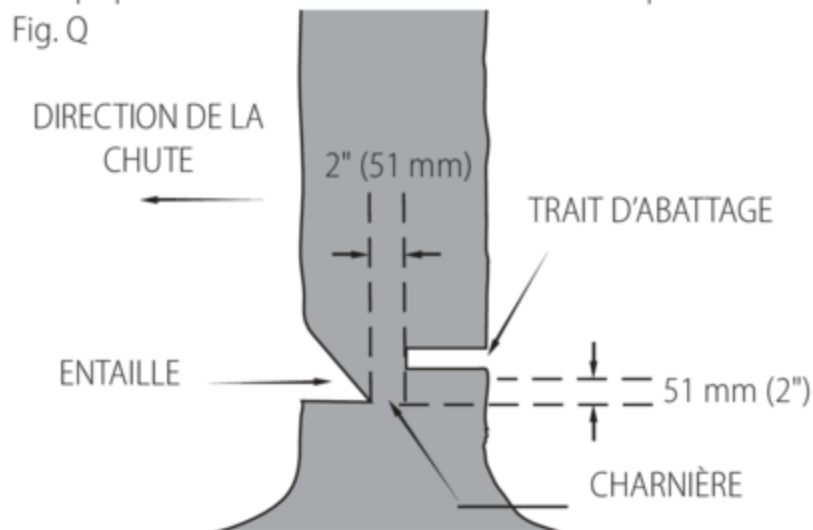
AVERTISSEMENT : l'abattage pose des risques de dommages corporels. Cela ne devrait être fait que par du personnel compétent.

- Un chemin de retraite doit être établi et préparé, le cas échéant, avant de commencer une coupe. Le chemin de retraite devrait s'étendre vers l'arrière et diagonalement par rapport à la ligne de chute prévue (figure P).



- Avant de commencer l'abattage, observez vers où l'arbre penche naturellement, où se trouve les plus grosses branches et la direction du vent pour jauger où l'arbre tombera. Ayez des cales (bois, plastique ou aluminium) et un maillet lourd à portée de main. Retirez saleté, pierres, écorce détachée, clous, agrafes et fils métalliques de l'arbre là où les entailles d'abattage seront faites.
- Entaille d'abattage – Faites une entaille de 1/3 du diamètre de l'arbre, perpendiculairement à la direction de la chute. Faites tout d'abord la sole de l'entaille d'abattage horizontale. Cela permettra d'éviter le pincement de la chaîne coupante ou du guide-chaîne lorsque la deuxième partie de l'entaille sera faite (figure Q).
- Trait d'abattage – Effectuez le trait d'abattage 51 mm (2 po) plus haut que l'entaille d'abattage. Maintenez le trait d'abattage parallèle à l'entaille d'abattage horizontale. Faites le trait d'abattage de façon à laisser assez de bois pour servir de charnière. La charnière de bois empêchera l'arbre de se tordre ou de tomber dans la mauvaise direction. Ne la coupez pas de part en part (figure Q).

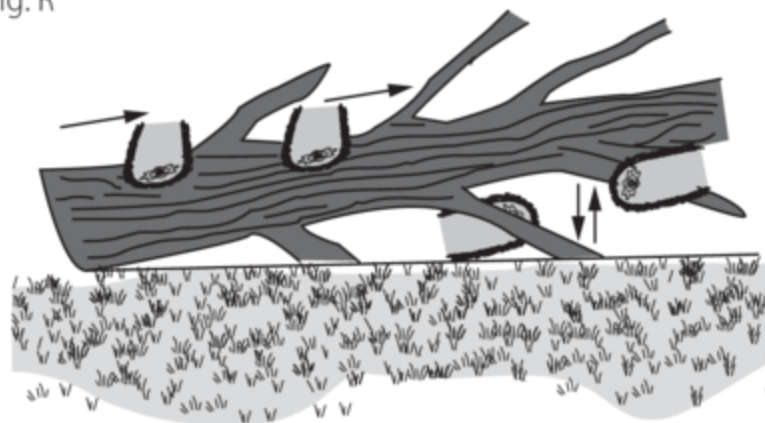
- Alors que le trait d'abattage se rapprochera de la charnière, l'arbre devrait commencer à tomber. S'il y a possibilité que l'arbre ne tombe pas dans la direction désirée ou se balance et pince la chaîne coupante, arrêtez de couper sans finir le trait d'abattage, et utilisez les cales pour ouvrir la coupe et obliger l'arbre à tomber dans la ligne de chute désirée. Lorsque l'arbre commence à tomber, retirez la scie à chaîne de la coupe, arrêtez le moteur, posez la scie à chaîne, puis utilisez le chemin de retraite choisi. Faites attention aux branches qui pourraient tomber sur votre tête et à ne pas tomber.



Ébranchage

Le retrait des branches d'un arbre abattu. Lors de l'ébranchage, laissez les larges branches inférieures soutenir le tronc hors du sol. Retirez les petites branches d'un seul trait. Les branches sous tension devraient être coupées du bas de la branche vers le haut pour éviter de coincer la scie à chaîne, comme illustré en figure R. Ébranchez à l'opposé, en gardant le tronc d'arbre entre vous et la scie. Ne coupez jamais avec la scie entre vos jambes ou à cheval sur la branche à couper.

Fig. R

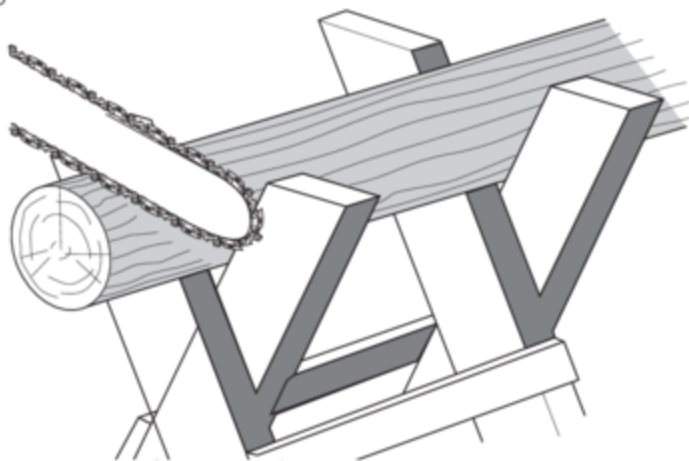


Tronçonnage

AVERTISSEMENT : il est recommandé que les débutants s'entraînent en coupant sur un chevalet.

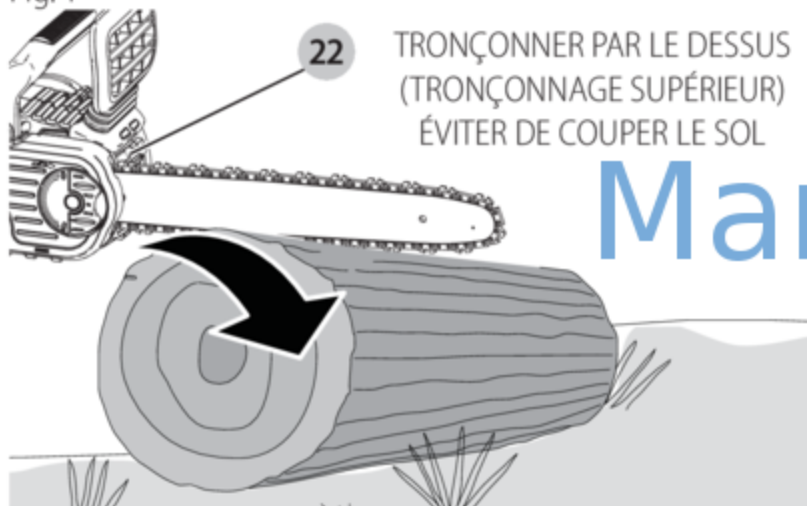
Découpage d'un arbre au sol ou un tronc en morceaux. La façon de couper dépend de comment le tronc est soutenu. Utilisez un chevalet (figure S) chaque fois que possible.

Fig. S



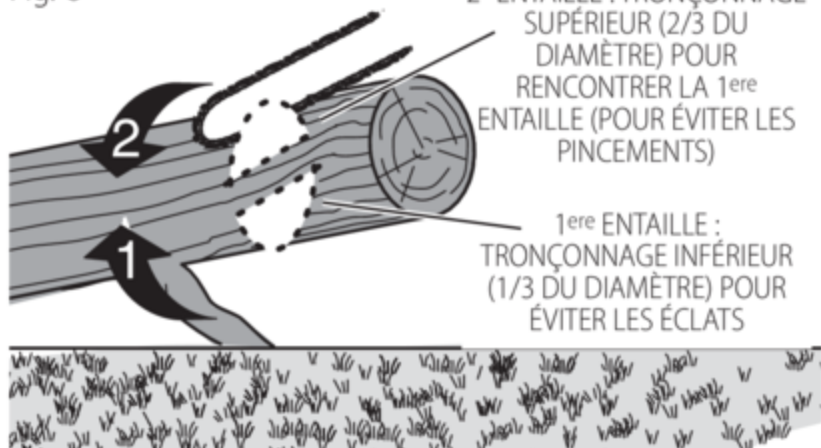
- Commencez systématiquement une coupe alors que la chaîne tourne à plein régime.
- Placez la griffe inférieure **22** de la scie à chaîne derrière la zone de la coupe initiale, comme illustré en figure T.
- Démarrez la scie à chaîne puis faites pivoter la chaîne et le guide dans l'arbre, en utilisant la griffe comme charnière.
- Lorsque la scie à chaîne se trouve à un angle de 45 degrés, relevez la scie à chaîne et répétez ces étapes jusqu'au bout du tronçonnage.
- Lorsque l'arbre est soutenu de bout en bout, tronçonnez par le dessus (tronçonnage supérieur), mais évitez de toucher le sol, car cela émousserait rapidement la scie.

Fig. T



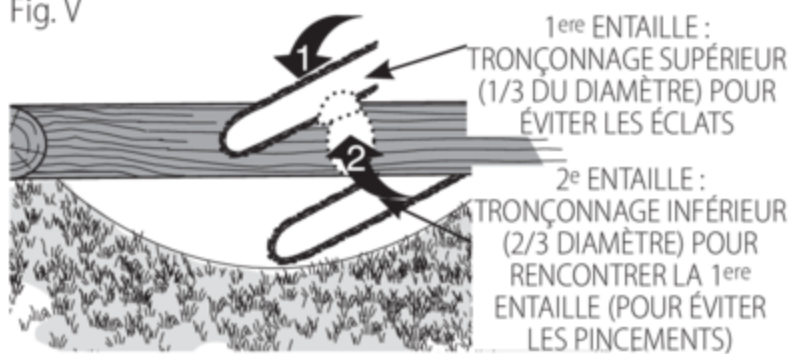
- **Figure U** – Lorsque soutenu à une extrémité : Coupez d'abord 1/3 du diamètre par en dessous (tronçonnage inférieur). Puis terminez par un tronçonnage supérieur pour rejoindre le premier trait.

Fig. U



- **Figure V** – Lorsque soutenu aux deux extrémités : Tout d'abord, faites un tronçonnage supérieur sur 1/3. Puis terminer les 2/3 restant par un tronçonnage inférieur pour rencontrer la première entaille.

Fig. V



- Lorsque situé sur une pente, positionnez-vous systématiquement en amont du tronc. Lorsque vous découpez de bout en bout, pour maintenir le contrôle de l'opération, réduisez la pression en fin de coupe sans pour autant relâcher votre prise sur les poignées de la scie à chaîne. Ne laissez pas la chaîne entrer en contact avec le sol. Une fois la coupe terminée, attendez l'arrêt complet de la chaîne coupante avant de déplacer la scie à chaîne. Arrêtez systématiquement le moteur avant de passer d'une coupe à l'autre.

ENTRETIEN ET MAINTENANCE

Nettoyez l'outil seulement avec un savon doux et un chiffon humide. N'utilisez aucun solvant pour nettoyer le boîtier plastique de la scie. Ne laissez aucun liquide pénétrer dans l'outil. Ne jamais immerger aucune partie de l'outil dans un liquide.

IMPORTANT : pour assurer votre SÉCURITÉ et la FIABILITÉ du produit, toute réparation, tout entretien et tout réglage doivent être effectués dans un centre de service agréé DeWalt en utilisant systématiquement des pièces de rechange identiques.

Une maintenance régulière assurera productivité et longue vie à la scie à chaîne.

Chaîne et guide-chaîne

Après quelques heures de travail, retirez le cache de dent de pignon, le guide-chaîne et la chaîne et nettoyez-les soigneusement à l'aide d'une brosse à poils souples. Assurez-vous que l'orifice à huile sur le guide n'est obstrué par aucun débris. Lors du remplacement d'une chaîne émoussée par une chaîne acérée, il est recommandé de tourner le guide-chaîne du bas vers le haut.

Affûtage de la chaîne coupante

ATTENTION : chaîne acérée. Porter systématiquement des gants de protection pour manipuler la chaîne. La chaîne est acérée et coupante même lorsqu'elle ne fonctionne pas.

AVERTISSEMENT : chaîne mobile acérée. Pour prévenir toute activation accidentelle, s'assurer que le bloc-piles a bien été retiré de l'outil avant d'effectuer les opérations suivantes. Tout manquement à cette règle pose des risques de dommages corporels graves.

REMARQUE : les organes de coupe en fonctionnement s'émousseront immédiatement en cas de contact avec le sol ou un clou.

Pour optimiser le rendement de votre scie à chaîne, il est important de maintenir les dents de la chaîne bien affûtées. Suivez ces conseils pratiques pour affûter correctement votre chaîne coupante :

1. Pour optimiser les résultats, utilisez une lime de 4,5 mm et un porte-lime ou un guide de lime pour affûter votre chaîne. Cela garantira systématiquement un angle d'affûtage correct.

- Placez le porte-lime à plat sur la plaque supérieure et le limiteur de profondeur de la dent.
 - Figure W – Maintenez le bon angle d'affûtage à 30° de la plaque supérieure 19** sur votre guide-lime parallèle à votre chaîne (limage à 60° de la chaîne vu de côté).
 - Affûtez d'abord les dents sur un des côtés de la chaîne. Limez chaque dent depuis l'intérieur vers l'extérieur. Puis tournez votre scie et répétez le processus (2, 3, 4) pour les dents de l'autre côté de la chaîne.
- REMARQUE :** utilisez une lime plate pour limer la partie supérieure des dents traçantes (portion du maillon de chaîne à l'avant de la dent) pour qu'elles soient d'environ 0,635 mm (0,025 po) inférieures aux pointes des dents coupantes, comme illustré en figure X.
- Figure Y –** Assurez-vous que toutes les dents soient de la même longueur.
 - Si la surface chromée sur les plaques supérieures ou latérales est endommagée, limez jusqu'à l'élimination des dommages.

ATTENTION : après l'affûtage, les dents seront acérées, prendre des précautions extrêmes pendant le processus.

REMARQUE : à chaque affûtage de la chaîne, celle-ci perd un peu de ses propriétés anti-rebonds, aussi faire extrêmement attention. Il est recommandé de ne pas affûter la chaîne plus de quatre fois.

Fig. W

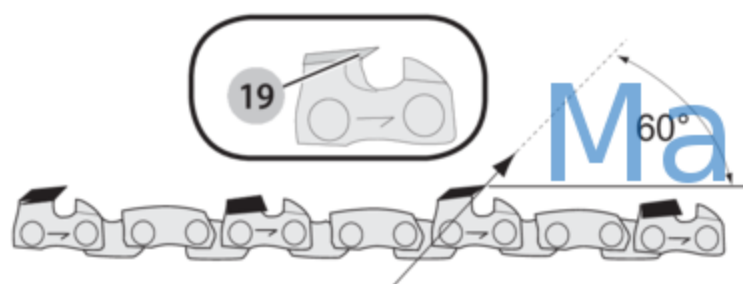


Fig. X

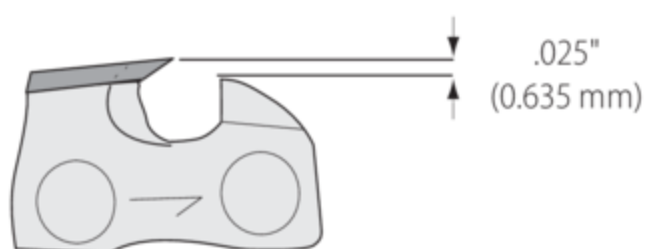
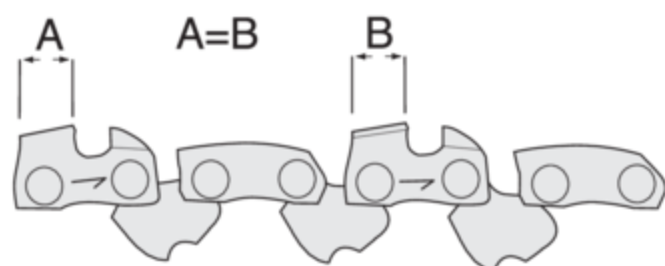


Fig. Y



Accessoires

ATTENTION : l'utilisation d'accessoires non recommandés dans ce manuel peut être dangereuse.

Chaîne et guide de rechange sont vendus séparément chez votre centre de service agréé DeWalt le plus proche. À utiliser seulement avec des guides et chaîne anti-rebonds.

Guides et chaînes disponibles pour le modèle **DCCS620 :**

Guide-chaîne : pièce numéro N507300

Chaîne : pièce numéro 90586162

MAINTENANCE

ATTENTION : **AVERTISSEMENT :** pour réduire le risque de blessures graves, éteindre l'outil et retirer le bloc-piles avant d'effectuer tout réglage et d'enlever ou d'installer tout accessoire. Un démarrage accidentel peut provoquer des blessures.

Nettoyage

ATTENTION : **AVERTISSEMENT :** enlever les saletés et la poussière hors des événements au moyen d'air comprimé propre et sec, au moins une fois par semaine. Pour minimiser le risque de blessure aux yeux, toujours porter une protection oculaire conforme à la norme ANSI Z87.1 lors du nettoyage.

ATTENTION : **AVERTISSEMENT :** ne jamais utiliser de solvants ni d'autres produits chimiques puissants pour nettoyer les pièces non métalliques de l'outil. Ces produits chimiques peuvent affaiblir les matériaux de plastique utilisés dans ces pièces. Utiliser un chiffon humecté uniquement d'eau et de savon doux. Ne jamais laisser de liquide pénétrer dans l'outil et n'immerger aucune partie de l'outil dans un liquide.

Accessoires

ATTENTION : **AVERTISSEMENT :** puisque les accessoires autres que ceux offerts par DEWALT n'ont pas été testés avec ce produit, leur utilisation pourrait s'avérer dangereuse. Pour réduire le risque de blessures, utiliser exclusivement les accessoires DEWALT recommandés avec le présent produit.

Les accessoires recommandés pour cet outil sont vendus séparément au centre de service de votre région. Pour obtenir de l'aide concernant l'achat d'un accessoire, communiquer avec DEWALT Industrial Tool Co., 701 East Joppa Road, Towson, MD 21286 aux États-Unis; composer le 1 800 433-9258 (1 800 4-DEWALT) ou visiter notre site Web : www.dewalt.com.

Réparations

Le chargeur et le bloc-piles ne sont pas réparables.

ATTENTION : **AVERTISSEMENT :** pour assurer la SÉCURITÉ et la FIABILITÉ du produit, les réparations, l'entretien et les réglages doivent être réalisés (cela comprend l'inspection et le remplacement du balai, le cas échéant) par un centre de réparation en usine DEWALT ou un centre de réparation agréé DEWALT. Toujours utiliser des pièces de rechange identiques.

Registre en ligne

Merci pour votre achat. Enregistrez dès maintenant votre produit:

- RÉPARATIONS SOUS GARANTIE:** cette carte remplie vous permettra de vous prévaloir du service de réparations sous garantie de façon plus efficace dans le cas d'un problème avec le produit.
- CONFIRMATION DE PROPRIÉTÉ:** en cas de perte provoquée par un incendie, une inondation ou un vol, cette preuve de propriété vous servira de preuve auprès de votre compagnie d'assurances.

FRANÇAIS

- **SÉCURITÉ:** l'enregistrement de votre produit nous permettra de communiquer avec vous dans l'éventualité peu probable de l'envoi d'un avis de sécurité régi par la loi fédérale américaine de la protection des consommateurs.

Registre en ligne à www.dewalt.com/register.

Garantie limitée de trois ans

DEWALT réparera, sans frais, tout produit défectueux causé par un défaut de matériel ou de fabrication pour une période de trois ans à compter de la date d'achat. La présente garantie ne couvre pas les pièces dont la défectuosité a été causée par une usure normale ou l'usage abusif de l'outil. Pour obtenir de plus amples renseignements sur les pièces ou les réparations couvertes par la présente garantie, visiter le site www.dewalt.com ou composer le 1 800 433-9258 (1 800 4-DEWALT). CETTE GARANTIE LIMITÉE REMPLACE TOUTE AUTRE GARANTIE, Y COMPRIS TOUTE GARANTIE IMPLICITE DE QUALITÉ MARCHANDE OU DE CONFORMITÉ À DES FINS PARTICULIÈRES, ET EXCLUT TOUT DOMMAGE ACCESSOIRE OU INDIRECT. Certains états n'autorisent aucune limitation quant à la durée d'une garantie implicite ni aucune exclusion ou limitation de garantie contre tout préjudice accessoire ou indirect, aussi il se peut que ces exclusions ne vous soient pas applicables. Cette garantie confère des droits légaux particuliers à l'acheteur, mais celui-ci pourrait aussi bénéficier d'autres droits variant d'un territoire à l'autre.

En plus de la présente garantie, les outils DEWALT sont couverts par notre :

CONTRAT D'ENTRETIEN GRATUIT D'UN AN

DEWALT entretiendra l'outil et remplacera les pièces usées au cours d'une utilisation normale et ce, gratuitement, pendant une période d'un an à compter de la date d'achat.

CONTRAT D'ENTRETIEN GRATUIT DE DEUX ANS SUR LES BLOC-PILES DEWALT

DC9071, DC9091, DC9096, DC9182, DC9280, DC9360, DCB120, DCB127, DCB201, DCB203, DCB203BT, DCB207, DCB361

CONTRAT D'ENTRETIEN GRATUIT DE TROIS ANS SUR LES BLOC-PILES DEWALT

DCB200, DCB204, DCB204BT, DCB205, DCB205BT, DCB206, DCB606, DCB609

REMARQUE : La garantie de ce produit sera annulée si le bloc-piles a été altéré de quelque façon que ce soit. DEWALT ne peut être tenu responsable de tout dommage corporel causé par l'altération du produit et pourra poursuivre toute fraude en matière de garantie dans toute l'étendue permise par la loi.

GARANTIE DE REMBOURSEMENT DE 90 JOURS

Si l'acheteur n'est pas entièrement satisfait, pour quelque raison que ce soit, du rendement de l'outil électrique, du laser ou de la cloueuse DEWALT, celui-ci peut le retourner, accompagné d'un reçu, dans les 90 jours à compter de la date d'achat pour obtenir un remboursement intégral, sans aucun problème.

AMÉRIQUE LATINE : cette garantie ne s'applique aux produits vendus en Amérique latine. Pour ceux-ci, veuillez consulter les informations relatives à la garantie spécifique présente dans l'emballage, appeler l'entreprise locale ou consulter le site Web pour les informations relatives à cette garantie.

REMPACEMENT GRATUIT DES ÉTIQUETTES

D'AVERTISSEMENT : si les étiquettes d'avertissement deviennent illisibles ou sont manquantes, composer le 1 800 433-9258 (1 800 4-DEWALT) pour en obtenir le remplacement gratuit.

Mans.io

Definiciones: Símbolos y palabras de alerta de seguridad

Este manual de instrucciones utiliza los siguientes símbolos y palabras de alerta de seguridad para alertarle de situaciones peligrosas y del riesgo de lesiones corporales o daños materiales.



PELIGRO: Indica una situación de peligro inminente que, si no se evita, provocará **la muerte o lesiones graves**.



ADVERTENCIA: Indica una situación de peligro potencial que, si no se evita, **podría provocar la muerte o lesiones graves**.



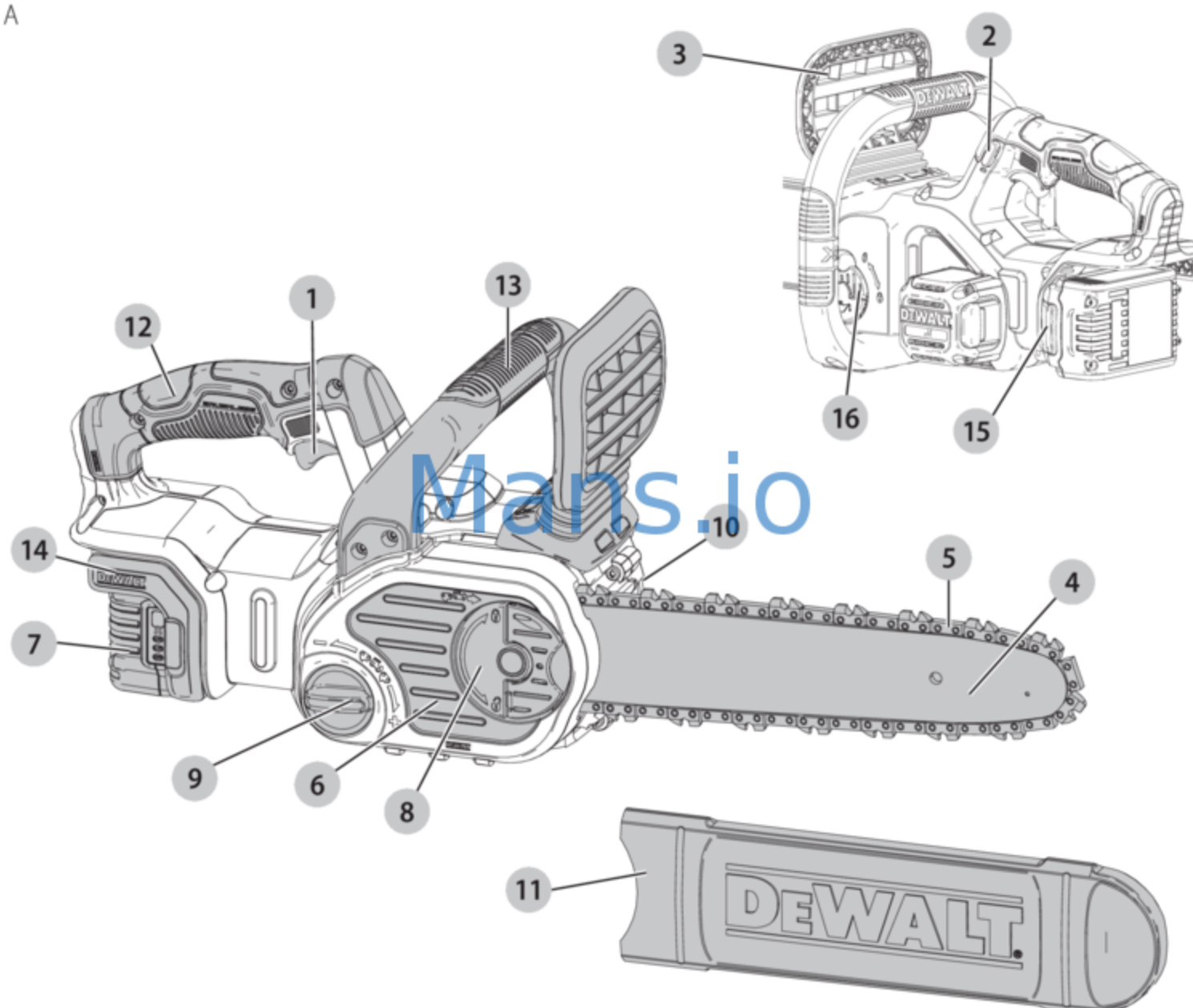
ATENCIÓN: Indica una situación de peligro potencial que, si no se evita, **posiblemente provocaría lesiones leves o moderadas**.



(Utilizado sin palabras) indica un mensaje de seguridad relacionado.

AVISO: Se refiere a una práctica **no relacionada a lesiones corporales** que de no evitarse **puede resultar en daños a la propiedad**.

Fig. A



- | | |
|--|--|
| 1 Interruptor de gatillo ON/OFF (Encendido/ Apagado) | 8 Perilla de bloqueo de ajuste de la barra |
| 2 Palanca de bloqueo en apagado | 9 Perilla de tensión de la cadena |
| 3 Freno de cadena / protector delantero de la mano | 10 Indicador de nivel de aceite |
| 4 Barra de guía | 11 Funda de la barra de guía |
| 5 Cadena de la sierra | 12 Mango trasera |
| 6 Cubierta de rueda dentada | 13 Mango delantero |
| 7 Batería | 14 Caja protectora de la batería |
| | 15 Botón de liberación de la batería |
| | 16 Tapón del aceite |




¡ADVERTENCIA! Lea todas las advertencias de seguridad e instrucciones. El incumplimiento de las advertencias e instrucciones puede provocar descargas eléctricas, incendios o lesiones graves.



ADVERTENCIA: Para reducir el riesgo de lesiones, lea el manual de instrucciones.

Si tiene alguna duda o algún comentario sobre ésta u otra herramienta DEWALT, llámenos al número gratuito: 1-800-4-DEWALT (1-800-433-9258).

ADVERTENCIAS GENERALES DE SEGURIDAD PARA HERRAMIENTAS ELÉCTRICAS

 **¡ADVERTENCIA!** Lea todas las advertencias de seguridad e instrucciones. El incumplimiento de las advertencias e instrucciones puede provocar descargas eléctricas, incendios o lesiones graves.

CONSERVE TODAS LAS ADVERTENCIAS E INSTRUCCIONES PARA FUTURAS CONSULTAS

El término "herramienta eléctrica" incluido en las advertencias hace referencia a las herramientas eléctricas operadas con corriente (con cable eléctrico) o a las herramientas eléctricas operadas con baterías (inalámbricas).

1) Seguridad en el Área de Trabajo

- Mantenga el área de trabajo limpia y bien iluminada.** Las áreas abarrotadas y oscuras propician accidentes.
- No opere las herramientas eléctricas en atmósferas explosivas, como ambientes donde haya polvo, gases o líquidos inflamables.** Las herramientas eléctricas originan chispas que pueden encender el polvo o los vapores.
- Mantenga alejados a los niños y a los espectadores de la herramienta eléctrica en funcionamiento.** Las distracciones pueden provocar la pérdida de control.

2) Seguridad Eléctrica

- Los enchufes de la herramienta eléctrica deben adaptarse al tomacorriente. Nunca modifique el enchufe de ninguna manera. No utilice ningún enchufe adaptador con herramientas eléctricas con conexión a tierra.** Los enchufes no modificados y que se adaptan a los tomacorrientes reducirán el riesgo de descarga eléctrica.
- Evite el contacto corporal con superficies con descargas a tierra como, por ejemplo, tuberías, radiadores, cocinas eléctricas y refrigeradores.** Existe mayor riesgo de descarga eléctrica si su cuerpo está puesto a tierra.
- No exponga las herramientas eléctricas a la lluvia o a condiciones de humedad.** Si entra agua a una herramienta eléctrica, aumentará el riesgo de descarga eléctrica.
- No maltrate el cable. Nunca utilice el cable para transportar, tirar o desenchufar la herramienta eléctrica. Mantenga el cable alejado del calor, el aceite, los bordes filosos y las piezas móviles.** Los cables dañados o enredados aumentan el riesgo de descarga eléctrica.
- Al operar una herramienta eléctrica en el exterior, utilice un cable prolongador adecuado para tal uso.** Utilice un cable adecuado para uso en exteriores a fin de reducir el riesgo de descarga eléctrica.
- Si el uso de una herramienta eléctrica en un lugar húmedo es imposible de evitar, utilice**

un suministro protegido con un interruptor de circuito por falla a tierra (GFCI). El uso de un GFCI reduce el riesgo de descargas eléctricas.

3) Seguridad Personal

- Permanezca alerta, controle lo que está haciendo y utilice el sentido común cuando emplee una herramienta eléctrica. No utilice una herramienta eléctrica si está cansado o bajo el efecto de drogas, alcohol o medicamentos.** Un momento de descuido mientras se opera una herramienta eléctrica puede provocar lesiones personales graves.
- Utilice equipos de protección personal. Siempre utilice protección para los ojos.** En las condiciones adecuadas, el uso de equipos de protección, como máscaras para polvo, calzado de seguridad antideslizante, cascos o protección auditiva, reducirá las lesiones personales.
- Evite el encendido por accidente. Asegúrese de que el interruptor esté en la posición de apagado antes de conectarlo a la fuente de energía o paquete de baterías, o antes de levantar o transportar la herramienta.** Transportar herramientas eléctricas con el dedo apoyado en el interruptor o enchufar herramientas eléctricas con el interruptor en la posición de encendido puede propiciar accidentes.
- Retire la clavija de ajuste o la llave de tuercas antes de encender la herramienta eléctrica.** Una llave de tuercas o una clavija de ajuste que quede conectada a una pieza giratoria de la herramienta eléctrica puede provocar lesiones personales.
- No se estire. Conserve el equilibrio y párese adecuadamente en todo momento.** Esto permite un mejor control de la herramienta eléctrica en situaciones inesperadas.
- Use la vestimenta adecuada. No use ropas holgadas ni joyas. Mantenga el cabello, la ropa y los guantes alejados de las piezas en movimiento.** Las ropas holgadas, las joyas o el cabello largo pueden quedar atrapados en las piezas en movimiento.
- Si se suministran dispositivos para la conexión de accesorios con fines de recolección y extracción de polvo, asegúrese de que estén conectados y que se utilicen correctamente.** El uso de dispositivos de recolección de polvo puede reducir los peligros relacionados con el polvo.

4) Uso y Mantenimiento de la Herramienta Eléctrica

- No fuerce la herramienta eléctrica. Utilice la herramienta eléctrica correcta para el trabajo que realizará.** Si se la utiliza a la velocidad para la que fue diseñada, la herramienta eléctrica correcta permite trabajar mejor y de manera más segura.
- No utilice la herramienta eléctrica si no puede encenderla o apagarla con el interruptor.** Toda

herramienta eléctrica que no pueda ser controlada mediante el interruptor es peligrosa y debe repararse.

- c) **Desconecte el enchufe de la fuente de energía o el paquete de baterías de la herramienta eléctrica antes de realizar ajustes, cambiar accesorios o almacenar la herramienta eléctrica.** Estas medidas de seguridad preventivas reducen el riesgo de encender la herramienta eléctrica en forma accidental.
- d) **Guarde la herramienta eléctrica que no esté en uso fuera del alcance de los niños y no permita que otras personas no familiarizadas con ella o con estas instrucciones operen la herramienta.** Las herramientas eléctricas son peligrosas si son operadas por usuarios no capacitados.
- e) **Realice el mantenimiento de las herramientas eléctricas. Revise que no haya piezas en movimiento mal alineadas o trabadas, piezas rotas o cualquier otra situación que pueda afectar el funcionamiento de la herramienta eléctrica. Si encuentra daños, haga reparar la herramienta eléctrica antes de utilizarla.** Se producen muchos accidentes a causa de las herramientas eléctricas que carecen de un mantenimiento adecuado.
- f) **Mantenga las herramientas de corte afiladas y limpias.** Las herramientas de corte con mantenimiento adecuado y con los bordes de corte afilados son menos propensas a trabarse y son más fáciles de controlar.
- g) **Utilice la herramienta eléctrica, los accesorios y las brocas de la herramienta, etc. de acuerdo con estas instrucciones y teniendo en cuenta las condiciones de trabajo y el trabajo que debe realizarse.** El uso de la herramienta eléctrica para operaciones diferentes de aquéllas para las que fue diseñada podría originar una situación peligrosa.

5) Uso y Mantenimiento de la Herramienta con Baterías

- a) **Recargue solamente con el cargador especificado por el fabricante.** Un cargador adecuado para un tipo de paquete de baterías puede originar riesgo de incendio si se utiliza con otro paquete de baterías.
- b) **Utilice herramientas eléctricas sólo con paquetes de baterías específicamente diseñados.** El uso de cualquier otro paquete de baterías puede producir riesgo de incendio y lesiones.
- c) **Cuando no utilice el paquete de baterías, manténgalo lejos de otros objetos metálicos como sujetapapeles, monedas, llaves, clavos, tornillos u otros objetos metálicos pequeños que puedan realizar una conexión desde un terminal al otro.** Los cortocircuitos en los terminales de la batería pueden provocar quemaduras o incendio.
- d) **En condiciones abusivas, el líquido puede ser expulsado de la batería. Evite su contacto. Si entra en contacto accidentalmente, enjuague**

con agua. Si el líquido entra en contacto con los ojos, busque atención médica. El líquido expulsado de la batería puede provocar irritación o quemaduras.

6) Mantenimiento

- a) **Solicite a una persona calificada en reparaciones que realice el mantenimiento de su herramienta eléctrica y que sólo utilice piezas de repuesto idénticas.** Esto garantizará la seguridad de la herramienta eléctrica.

Advertencias de seguridad de sierra de cadena



ADVERTENCIA: Advertencias de seguridad adicionales para las sierras de cadena.

- **Cuando la motosierra esté funcionando, mantenga todas las partes del cuerpo alejadas de la cadena de la sierra. Antes de arrancar la motosierra, asegúrese de que la cadena de la sierra no esté en contacto con nada.** Un momento de descuido al utilizar motosierras puede provocar que su ropa o su cuerpo queden atrapados en la cadena de la sierra.
- **Sostenga siempre la motosierra con la mano derecha en el mango trasero y la mano izquierda en el mango delantero.** Sostener la motosierra con las manos en la posición contraria aumenta el riesgo de lesión corporal y no debería hacerse nunca.
- **Sostenga la herramienta eléctrica solamente por la superficies de agarre aisladas, porque la cadena de la sierra puede entrar en contacto con cables eléctricos ocultos.** Si la cadena de la sierra entra en contacto con un cable bajo tensión, podrían cargarse las partes metálicas de la herramienta expuestas a la corriente y producir una descarga eléctrica al operador.
- **Utilice lentes de seguridad y protección auditiva. Se recomienda utilizar un equipo protector adicional para la cabeza, las manos y los pies.** La ropa de protección adecuada reducirá las lesiones corporales producidas por la proyección de fragmentos o el contacto accidental con la cadena de la sierra.
- **No utilice una motosierra mientras se encuentre en un árbol.** El uso de una motosierra al estar subido a un árbol puede provocar lesiones corporales.
- **Siempre mantenga una posición firme y adecuada, y utilice la motosierra únicamente cuando esté parado sobre una superficie fija, firme y nivelada.** Las superficies resbalosas o inestables, como las escaleras, pueden provocar una pérdida del equilibrio o del control de la motosierra.
- **Al cortar una rama que esté bajo tensión, manténgase alerta al efecto de rebote.** Cuando se libera la tensión de las fibras de la madera, la rama cargada puede golpear al operador con el efecto de rebote y/o hacer que se pierda el control de la motosierra.
- **Tenga extremo cuidado cuando corte pequeñas malezas y árboles jóvenes.** El material largo y delgado puede quedar atrapado en la cadena de la sierra y azotarle o hacerle perder el equilibrio.

ESPAÑOL

- **Transporte la motosierra sosteniendo el mango delantero con la herramienta apagada y alejada de su cuerpo. Al transportar o guardar la motosierra siempre coloque la cubierta de la barra de guía.**
El manejo apropiado de la motosierra reducirá la probabilidad de un contacto accidental con la cadena de la sierra en movimiento.
- **Siga las instrucciones para lubricar, tensar la cadena y cambiar los accesorios.** Una cadena mal tensada o mal lubricada puede romperse o aumentar la posibilidad de rebote.
- **Mantenga los mangos secos, limpios y libres de aceite y grasa.** Los mangos con grasa o aceite pueden resbalarse y provocar la pérdida de control.
- **Corte madera solamente. No utilice la motosierra para fines no previstos. Por ejemplo, no utilice la motosierra para cortar plástico, mampostería o materiales de construcción que no sean de madera.**
El uso de la motosierra para aplicaciones distintas de las previstas puede ocasionar una situación peligrosa.

Causas del rebote y su prevención por parte del operador:

El retroceso puede producirse cuando el extremo o la punta de la barra guía tocan un objeto o cuando la madera se cierra y pellizca la cadena de la sierra durante el corte.

En algunos casos, el contacto con la punta puede provocar una repentina reacción inversa, empujando la barra de guía hacia arriba y hacia atrás en dirección al operador.

El pellizco de la cadena de la sierra a lo largo de la parte superior de la barra de guía puede empujar la barra de guía rápidamente hacia atrás en dirección al operador.

Cualquiera de estas reacciones puede resultar en que usted pierda el control de la sierra, lo cual puede resultar en graves lesiones corporales. No confíe exclusivamente de los dispositivos de seguridad incorporados en su sierra. En su condición de usuario de una motosierra, usted debe realizar varias acciones para mantener sus trabajos de corte libres de accidentes o lesiones.

El rebote es el resultado del mal uso de la herramienta y/o de procedimientos o condiciones de funcionamiento incorrectos de operación y se puede evitar tomando las debidas precauciones que se indican a continuación:

- **Mantenga un agarre firme, con los pulgares y los dedos rodeando los mangos de la motosierra, con ambas manos sobre la sierra y con su cuerpo y brazo ubicados de manera que le permitan resistir las fuerzas de rebote.** Si se toman las debidas precauciones, el operador puede controlar las fuerzas de rebote. No suelte la motosierra.
- **No se estire demasiado y no corte por encima de la altura de los hombros.** Esto ayuda a evitar un contacto no deseado con la punta y hace posible un mejor control de la motosierra en situaciones imprevistas.
- **Utilice solamente barras y cadenas de repuesto especificadas por el fabricante.** Las barras y cadenas de repuesto incorrectas pueden provocar rotura de la cadena y/o rebote.

- **Siga las instrucciones de afilado y mantenimiento del fabricante para la cadena de la sierra.** La reducción de la altura del calibrador de profundidad puede resultar en un incremento del rebote.

Características de seguridad durante el rebote



- ADVERTENCIA:** las siguientes características se incluyen en su sierra para ayudar a reducir el peligro durante el rebote; sin embargo, dichas características no eliminarán totalmente esta reacción peligrosa. Como usuario de la sierra de cadena, no confíe solamente en los dispositivos de seguridad. Debe seguir todas las precauciones de seguridad, las instrucciones y el mantenimiento según se describe en este manual para ayudar a evitar el rebote y otras fuerzas que pueden provocar lesiones graves.
- Barra de guía de rebote reducido, diseñada con una pequeña punta de empuje que reduce el tamaño de la zona de rebote en la punta de la barra. Una barra de guía de rebote reducido es una que se ha demostrado que reduce considerablemente el número y la gravedad de los rebotes cuando se la pone a prueba según las normas de seguridad para las sierras de cadena eléctricas.
 - Cadena de rebote bajo, diseñada con un calibre de profundidad contorneado y un enlace de seguridad que desvía la fuerza de rebote y permite que la madera se deslice gradualmente en la cortadora. Una cadena de rebote bajo es una cadena que cumple con los requisitos de rendimiento de rebotes según la norma ANSI B175.1-2012.

Nombres y términos de las sierras de cadena

- **Tronzado** - El proceso de realizar cortes transversales en un árbol caído o troncos en trozos.
- **Freno de motor** - Un dispositivo que se utiliza para detener la sierra de cadena cuando se libera el disparador.
- **Cabezal eléctrico de la sierra de cadena** - Una motosierra sin la cadena de la sierra ni la barra de guía.
- **Rueda dentada de accionamiento o rueda dentada** - La pieza dentada que acciona la cadena de la sierra.
- **Tala** - El proceso de cortar un árbol.
- **Corte de destronque** - El corte final en una operación de tala de árboles que se realiza en el lado opuesto del árbol del corte de muesca.
- **Mango delantero** - El mango de apoyo ubicado en o hacia la parte delantera de la sierra de cadena.
- **Protector delantero de la mano** - Una barrera estructural entre el mango delantero de una sierra de cadena y la barra de guía, que habitualmente se encuentra cerca de la posición de la mano en el mango delantero.
- **Barra de guía** - Una estructura resistente con rieles que soporta y guía la cadena de la sierra.
- **Funda de la barra de guía** - Cubierta que se coloca en la barra de guía para evitar el contacto con la pieza dentada cuando no se utiliza la sierra.

- *Rebote - El movimiento hacia atrás o adelante, o ambos, de la barra de guía que se produce cuando la cadena de la sierra cerca de la boquilla en el área superior de dicha barra entra en contacto con un objeto como un tronco o una rama, o cuando la madera se acerca y muerde la cadena de la sierra durante el corte.*
- *Rebote, pellizco - El rápido movimiento hacia atrás de la sierra que puede producirse cuando la madera se acerca y muerde la cadena de la sierra en movimiento durante el corte a lo largo de la parte superior de la barra de guía.*
- *Rebote, giratorio - El rápido movimiento hacia arriba y hacia atrás de la sierra que puede producirse cuando la cadena de la sierra en movimiento cerca de la parte superior de la punta de la barra de guía entra en contacto con un objeto, como un tronco o una rama.*
- *Escamonda - La extracción de las ramas de un árbol caído.*
- *Cadena de rebote bajo - Una cadena que cumple con los requisitos de rendimiento de rebote según la norma ANSI B175.1-2012 (al someterse a prueba en una muestra representativa de sierras de cadena).*
- *Posición de corte normal - Las posiciones adoptadas al realizar los cortes de tronzado y tala.*
- *Muesca de entallado - Un corte de muesca en un árbol que dirige la caída del mismo.*
- *Mango trasero - El mango de apoyo ubicado en o hacia la parte trasera de la sierra de cadena.*
- *Barra de guía de rebote reducido - Una barra de guía que se ha demostrado que reduce el rebote considerablemente.*
- *Cadena de sierra de repuesto - Una cadena que cumple con los requisitos de rendimiento de rebote según la norma ANSI B175.1-2000 cuando se somete a prueba con sierras de cadena específicas. Posiblemente no cumpla con los requisitos de rendimiento de la norma ANSI cuando se utiliza con otras sierras.*
- *Cadena de sierra - Un bucle de la cadena que posee dientes de corte para realizar cortes en madera y que está accionado por el motor y apoyado sobre la barra de guía.*
- *Parachoques acanalado - Los canales se utilizan durante la tala o tronzado para girar la sierra y mantener la posición mientras corta.*
- *Interruptor - Un dispositivo que durante el funcionamiento completará o interrumpirá un circuito eléctrico al motor de la sierra de cadena.*
- *Mecanismo del interruptor - El mecanismo que transmite el movimiento desde un disparador al interruptor.*
- *Seguro del interruptor - Un tope móvil que evita el funcionamiento accidental del interruptor hasta que se lo acciona en forma manual.*

Instrucción Adicional de Seguridad

- **ADVERTENCIA:** Use **SIEMPRE** lentes de seguridad. Los anteojos de diario **NO SON** lentes de seguridad. Utilice además una cubrebocas o mascarilla antipolvo si la operación de corte genera demasiado polvo. **SIEMPRE LLEVE EQUIPO DE SEGURIDAD CERTIFICADO:**

- protección ocular ANSI Z87.1 (CAN/CSA Z94.3),
- protección auditiva ANSI S12.6 (S3.19),
- protección respiratoria NIOSH/OSHA/MSHA.



ADVERTENCIA: Algunas partículas de polvo generadas al lijar, serrar, esmerilar y taladrar con herramientas eléctricas, así como al realizar otras actividades de construcción, contienen químicos que el Estado de California sabe que pueden producir cáncer, defectos congénitos u otras afecciones reproductivas. Ejemplos de estos químicos son:

- plomo de algunas pinturas en base a plomo,
- polvo de sílice proveniente de ladrillos y cemento y otros productos de albañilería, y
- arsénico y cromo provenientes de madera tratada químicamente.

Su riesgo de exposición a estos químicos varía, dependiendo de la frecuencia con la cual realiza usted este tipo de trabajo. Para reducir su exposición a estas sustancias químicas: trabaje en una zona bien ventilada y llevando equipos de seguridad aprobados, como mascarillas antipolvo especialmente diseñadas para filtrar partículas microscópicas.

- **Evite el contacto prolongado con polvo generado por el lijado, aserrado, pulido, taladrado y otras actividades de construcción. Vista ropas protectoras y lave las áreas de la piel expuestas con agua y jabón.** Si permite que el polvo se introduzca en la boca u ojos o quede sobre la piel, puede favorecer la absorción de productos químicos peligrosos.



ADVERTENCIA: La utilización de esta herramienta puede generar polvo o dispersarlo, lo que podría causar daños graves y permanentes al sistema respiratorio, así como otras lesiones. Siempre use protección respiratoria aprobada por NIOSH (Instituto Nacional de Seguridad y Salud en el Trabajo) u OSHA (Administración de Seguridad y Salud en el Trabajo) apropiada para la exposición al polvo. Dirija las partículas en dirección contraria a la cara y el cuerpo.



ADVERTENCIA: Siempre lleve la debida protección auditiva personal en conformidad con ANSI S12.6 (S3.19) durante el uso de esta herramienta. Bajo algunas condiciones y duraciones de uso, el ruido producido por este producto puede contribuir a la pérdida auditiva.



ATENCIÓN: Cuando no esté en uso, guarde la herramienta apoyada en un costado sobre una superficie estable, donde no interrumpa el paso o provoque una caída. Algunas herramientas con paquetes de baterías de gran tamaño pueden colocarse paradas sobre el paquete de baterías, pero pueden caerse fácilmente.

- **Mantenga el área de trabajo libre de obstrucciones como otros árboles, ramas, rocas, cercas, troncos, etc.** Elimine o evite cualquier obstrucción que su sierra de cadena pudiera golpear mientras está cortando a través de un tronco o rama particular.
- **Corte un tronco a la vez.**

ESPAÑOL

- **Tenga mucha precaución cuando vuelva a entrar al corte anterior.** Coloque topes con costillas en la madera y permita que la cadena alcance la velocidad competa antes de continuar con el corte.
- **No intente cortes de caída o cortes de barreno.**
- **Observe respecto a troncos que cambien de posición u otras fuerzas que pudieran cerrar un corte y atrapar o caer en la cadena.**
- **No intente operaciones mayores a su capacidad o experiencia.** Lea minuciosamente y entienda por completo todas las instrucciones de este manual.
- **¡No opere una sierra de cadena con una mano!** Lesiones serias al operador, asistentes, o transeúntes pueden resultar a partir de la operación de una mano. Una sierra de cadena está diseñada para uso con las dos manos únicamente.
- **Detenga la sierra de cadena antes de bajarla.**

La etiqueta de su herramienta puede incluir los siguientes símbolos. A continuación se indican los símbolos y sus definiciones:

V	voltios		or AC/DC.... corriente alterna o directa
Hz	hertz		
min	minutos	 Construcción de Clase II (doble aislamiento)
 or DC.....	direct current		
 Construcción de Clase I (tierra)	n_0 velocidad sin carga
.../min.....	por minuto	n velocidad nominal
BPM.....	golpes por minuto	 terminal de conexión a tierra
IPM	impactos por minuto	 símbolo de advertencia de seguridad
RPM	revoluciones por minuto	 radiación visible
sfpm	pies de superficie por minuto	 protección respiratoria
SPM	pasadas por minuto	 protección ocular
A	amperios	 protección auditiva
W	vatios	 lea toda la documentación
 or AC.....	corriente alterna	 El contacto de la punta de la barra de guía con cualquier objeto debería evitarse
CSPM.....	Pasadas de corte por minuto	 Dirección rotativa de la cadena de la sierra
 No la exponga a la lluvia.	 Utilice siempre dos manos al operar la sierra de cadena
 El contacto de la punta puede hacer que la barra de guía se mueva repentinamente hacia arriba y hacia atrás, lo cual puede ocasionar graves lesiones		

BATERÍAS Y CARGADORES

La batería no viene completamente cargada de fábrica. Antes de utilizar la batería y el cargador, lea las siguientes

instrucciones de seguridad y luego siga los procedimientos de carga indicados. Cuando pida baterías de repuesto, no olvide indicar el número de catálogo y el voltaje.

Su herramienta utiliza un cargador DEWALT. Lea todas las instrucciones de seguridad antes de usar el cargador. Consulte la tabla al final de este manual para información sobre compatibilidad entre cargadores y baterías.

LEA TODAS LAS INSTRUCCIONES

Instrucciones de Seguridad Importantes Para Todas las Unidades de Batería

- **ADVERTENCIA:** Lea todas las advertencias de seguridad y todas las instrucciones para la batería, el cargador y la herramienta eléctrica. No seguir las advertencias y las instrucciones puede provocar una descarga eléctrica, un incendio y/o lesiones graves.
- **No cargue o use la unidad de batería en atmósferas explosivas, como en presencia de líquidos, gases o polvos inflamables.** Puede que al insertar o sacar la unidad de batería del cargador se inflamen el polvo o los gases.
- **NUNCA fuerce la unidad de batería para que entre en el cargador. NO modifique la unidad de batería en ninguna forma para que entre en un cargador no compatible, pues puede producir una ruptura en la unidad de batería y causar lesiones corporales graves.** Consulte la tabla al final de este manual para ver la compatibilidad entre baterías y cargadores.
- **Cargue las unidades de batería sólo en los cargadores designados por DEWALT.**
- **NO salpique con ni sumerja en agua u otros líquidos.**
- **No guarde ni use la herramienta y unidad de batería en lugares donde la temperatura pueda alcanzar o superar los 40 °C (104 °F), tales como cobertizos o construcciones de metal durante el verano.** Almacene las unidades de batería en lugares frescos y secos para maximizar su vida útil.
- **NOTA: No almacene las unidades de batería en la herramienta con el interruptor de gatillo en posición encendida fija. Nunca use cinta adhesiva para mantener el interruptor de gatillo en posición ENCENDIDA.**
- **No incinere la unidad de batería, aunque esté completamente dañada o descargada. La unidad de batería puede explotar si se quema.** Cuando se queman unidades de batería de iones de litio, se producen gases y materiales tóxicos.
- **Si el contenido de la batería entra en contacto con la piel, lave el área de inmediato con agua y un jabón suave.** Si el líquido de la batería entra en contacto con sus ojos, enjuáguelos con agua y los ojos abiertos por 15 minutos o hasta que cese la irritación. Si se requiere de asistencia médica, el electrolito de la batería está compuesto por una mezcla de carbonatos orgánicos líquidos y sales de litio.
- **El contenido de los elementos abiertos de la batería puede causar irritación en el tracto respiratorio.**

Salga al aire fresco. Si los síntomas persisten, busque asistencia médica.

ADVERTENCIA: Peligro de quemaduras. El líquido de la batería puede ser inflamable si se expone a chispas o llamas.

ADVERTENCIA: Peligro de incendio. Nunca intente abrir la unidad de batería por ningún motivo. Si la caja exterior de la unidad de batería se triza o daña, no la introduzca en el cargador. No triture, deje caer o dañe la unidad de batería. No use una unidad de batería o un cargador que haya sido golpeado, dejado caer, atropellado o dañado en cualquier forma (por ejemplo, perforado por un clavo, golpeado con un martillo, pisado). Lleve sus unidades de batería dañadas al centro de servicio para que sean recicladas.

Transporte

ADVERTENCIA: Peligro de incendio. No guarde o transporte la batería de forma que los terminales expuestos de la misma puedan estar en contacto con objetos metálicos. Por ejemplo, no ponga la batería en delantales, bolsillos, cajas de herramientas, estuches de productos, cajones, etc., junto con clavos, tornillos, y llaves, etc. sueltos. **El transporte de baterías puede causar incendios si sus terminales inadvertidamente entran en contacto con materiales conductores como llaves, monedas, herramientas manuales y otros por el estilo.** El Reglamento sobre Materiales Peligrosos (HMR) del Departamento de Transporte de EE.UU. prohíbe transportar baterías comercialmente o en aviones en el equipaje de mano A MENOS que estén debidamente protegidas contra cortocircuitos. Por lo tanto, cuando transporte baterías individuales, asegúrese de que sus terminales estén protegidos y debidamente aislados de los materiales que pudieran entrar en contacto con ellos y provocar un cortocircuito.

TRANSPORTE DE LA BATERÍA FLEXVOLT™ DE DEWALT

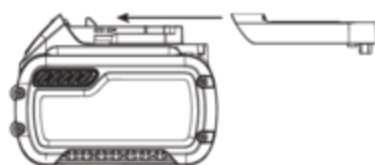
La batería FLEXVOLT™ de DEWALT tiene dos modalidades:

Uso y transporte.

Modalidad de uso: Cuando la batería FLEXVOLT™ está independiente o está en un producto DEWALT de 20 V Máx* funcionará como una batería de 20 V Máx*. Cuando la batería FLEXVOLT™ está en un producto de 60 V Máx* o 120 V Máx* (dos baterías de 60 V Máx*), funcionará como una batería de 60V Máx*.

Modalidad de transporte:

Cuando la batería FLEXVOLT™ tiene puesta la tapa, la batería está en modalidad de transporte. Cadenas de celdas están desconectadas eléctricamente dentro de la unidad de batería, lo que resulta en tres baterías con una capacidad nominal de vatios hora (Wh) inferior comparada con una batería con una capacidad nominal de vatios hora superior. Esta mayor cantidad de tres baterías con una capacidad nominal de vatios-hora



menor puede hacer que la unidad de batería quede exenta de ciertos reglamentos de transporte que se imponen a las baterías con mayor capacidad nominal de vatios-hora.

La etiqueta en la batería indica dos capacidades nominales de vatios-hora (ver el ejemplo). Dependiendo de cómo se transporta la batería, debe usarse la capacidad nominal de vatios-hora apropiada para determinar los requisitos de transporte aplicables. Si se utiliza la tapa de transporte, la unidad de batería será considerada tres baterías con la capacidad nominal de vatios-hora indicada para «Transporte». Si se transporta sin la tapa o en una herramienta, la unidad de batería será considerada una batería con la capacidad nominal de vatios-hora indicada al lado de «Uso».

Ejemplo de Marcado en Etiqueta de Uso y Transporte

USE: 120 Wh Shipping: 3 x 40 Wh

Por ejemplo, la capacidad nominal de Wh de Transporte puede indicar 3 x 40 Wh, lo que significa 3 baterías de 40 vatios-hora cada una. La capacidad nominal de Wh de Uso puede indicar 120 Wh (se implica 1 batería).

Unidades de Batería con Indicador de Carga (Fig. B)

Algunas unidades de batería DEWALT incluyen un indicador de carga que consiste de tres luces LED verdes que indican el nivel de carga que queda en la unidad de batería.

El indicador de carga es una indicación de niveles aproximados de carga que quedan en la batería según los indicadores siguientes:



Para activar el indicador de carga, presione y sostenga el botón del indicador. Se iluminará una combinación de las tres luces LED verdes, que indicará el nivel de carga que queda. Cuando el nivel de carga está por debajo del nivel útil, el indicador no se iluminará, y la batería deberá recargarse.

Fig. B



NOTA: El indicador de carga es sólo eso: un indicador de la carga de la unidad de batería. No indica el nivel de funcionalidad de la herramienta y puede variar de acuerdo a las piezas del producto, la temperatura y la aplicación que el usuario le dé.

Para mayor información sobre unidades de batería con indicadores de carga, por favor llame al 1-800-4-DEWALT (1-800-433-9258) o visite nuestro sitio Web: www.dewalt.com.

El sello RBRC®

El sello RBRC® (Rechargeable Battery Recycling Corporation) en las baterías (unidades de batería) de níquel cadmio, níquel e hidruro metálico o de iones de litio indica que el costo de reciclaje de estas baterías (o unidades de batería) al llegar al final de su vida de servicio ya ha sido pagado por DEWALT. En algunas áreas, es ilegal depositar baterías de níquel cadmio, níquel e hidruro metálico o de iones de litio gastadas en la basura o la corriente de residuos sólidos urbanos; el programa Call 2 Recycle® proporciona una alternativa ecológica.



Call 2 Recycle, Inc., en cooperación con DEWALT y otros usuarios de baterías, han establecido programas en los Estados Unidos y Canadá para facilitar la recolección de baterías de níquel cadmio, níquel e hidruro metálico o de iones de litio gastadas. Al llevar sus baterías de níquel cadmio, níquel e hidruro metálico y de iones de litio gastadas a un centro de servicio autorizado por DEWALT o al minorista local para que sean recicladas, ayuda a proteger el medio ambiente y a conservar recursos naturales. También puede comunicarse con el centro de reciclaje de su localidad para mayor información sobre dónde llevar sus baterías gastadas.

RBRC® es una marca comercial registrada de Call 2 Recycle, Inc.

Instrucciones Importantes de Seguridad Para Todos los Cargadores de Baterías

⚠ ADVERTENCIA: Lea todas las advertencias de seguridad y todas las instrucciones para la batería, el cargador y la herramienta eléctrica. No seguir las advertencias y las instrucciones puede provocar una descarga eléctrica, un incendio y/o lesiones graves.

- **NO intente cargar la unidad de batería con otros cargadores que no sean los descritos en este manual.** El cargador y la unidad de batería fueron específicamente diseñados para trabajar en conjunto.
- **Estos cargadores no fueron diseñados para ser utilizados para más que cargar las baterías recargables DEWALT.** Cualquier otro uso puede producir riesgo de incendios, descargas eléctricas o electrocución.
- **No exponga el cargador a la lluvia o a la nieve.**
- **Tire del enchufe y no del cable cuando desconecte el cargador.** De esta forma se reduce el riesgo de daño al enchufe y cable.
- **Asegúrese de que el cable no sea ubicado de manera que podría ser pisado, causar que alguien tropiece con él o ser expuesto a otro tipo de daños y desgastes.**
- **No use un alargador a menos que sea absolutamente necesario.** El uso de un alargador incorrecto podría producir riesgo de incendios, descargas eléctricas o electrocución.
- **Cuando opere un cargador al exterior, hágalo siempre en un lugar seco y use un alargador**

apropiado para uso al exterior. El uso de un alargador apropiado para uso al exterior reduce el riesgo de descarga eléctrica.

- **Los hilos del alargador deben ser de un calibre apropiado (AWG o American Wire Gauge) para su seguridad.** Mientras menor sea el calibre del hilo, mayor la capacidad del cable. Es decir, un hilo calibre 16 tiene mayor capacidad que uno de 18. Un cable de un calibre insuficiente causará una caída en la tensión de la línea dando por resultado una pérdida de energía y sobrecalentamiento. Cuando se utilice más de un alargador para completar el largo total, asegúrese que los hilos de cada alargador tengan el calibre mínimo. La tabla siguiente muestra el tamaño correcto a utilizar, dependiendo de la longitud del cable y del amperaje nominal de la placa de identificación. Si tiene dudas sobre cuál calibre usar, use un calibre mayor. Cuanto menor sea el número del calibre, más resistente será el cable.

Calibre mínimo de conjuntos de cables

Voltios	Longitud total del cable en pies (metros)				
	25 (7,6)	50 (15,2)	100 (30,5)	150 (45,7)	
120 V					
240 V	50 (15,2)	100 (30,5)	200 (61,0)	300 (91,4)	
Amperaje nominal	AWG				
	Más de	No Más de			
0	6	18	16	16	14
6	10	18	16	14	12
10	12	16	16	14	12
12	16	14	12	No recomendado	

- **No coloque ningún objeto encima del cargador ni coloque a este sobre una superficie blanda que pudiera bloquear las ranuras de ventilación y resultar en un calor interno excesivo.** Coloque el cargador en un lugar alejado de cualquier fuente de calor. El cargador se ventila a través de las ranuras que se encuentran en la parte superior e inferior de la caja protectora.
- **No opere el cargador si su cable o enchufe están dañados.**
- **No opere el cargador si ha recibido un golpe agudo, si se ha caído o si ha sido dañado de alguna otra forma.** Llévelo a un centro de servicio autorizado.
- **No desarme el cargador; llévelo a un centro de servicio autorizado cuando deba ser reparado.** Si es reensamblado incorrectamente, puede causar descargas eléctricas, electrocución o incendios.
- **Desenchufe el cargador antes de intentar limpiarlo.** Esto reducirá el riesgo de descargas eléctricas. El retirar el paquete de baterías no reducirá este riesgo.
- **NUNCA intente conectar 2 cargadores entre sí.**
- **El cargador está diseñado para operar con una corriente eléctrica estándar residencial de 120 V. No intente usarlo con ningún otro voltaje.** Esto no aplica al cargador vehicular.

⚠️ ADVERTENCIA: Peligro de descarga eléctrica. No permita que ningún líquido se introduzca en el cargador. Puede producir descargas eléctricas.

⚠️ ADVERTENCIA: Peligro de quemaduras. No sumerja la unidad de batería en líquido de ningún tipo ni permita que se introduzca ningún tipo de líquido a la unidad de batería. Nunca intente abrir la unidad de batería por ningún motivo. Si la caja plástica de la unidad de batería se triza o rompe, llévela a un centro de servicio para su reciclaje

⚠️ ATENCIÓN: Peligro de quemaduras. Para reducir el riesgo de lesiones, sólo cargue unidades de batería recargables marca DEWALT. Otros tipos de batería podrían sobrecalentarse y reventar lo que podría resultar en lesiones corporales y daños a su propiedad.

AVISO: Bajo ciertas condiciones, cuando el cargador está enchufado a una toma de corriente, el cargador puede hacer cortocircuito si entra en contacto con algún material ajeno. Los materiales ajenos de naturaleza conductora, como el polvo de esmerilado, las placas de metal, la lana de acero, el papel de aluminio y otros, o cualquier acumulación de partículas metálicas deberían mantenerse alejados de las cavidades del cargador. Desenchufe siempre el cargador cuando no haya una unidad de batería en su cavidad. Desenchufe el cargador antes de intentar limpiarlo.

Certificaciones inalámbricas e información de seguridad

- Este dispositivo cumple con CAN ICES-3(B)/NMB-3(B).
- Este dispositivo cumple con la Sección 15 de las normas de la Comisión Federal de Comunicaciones (FCC) y las normas RSS de exención de licencia del Ministerio de Industria de Canadá. Su funcionamiento está sujeto a las dos siguientes condiciones:
 - Este dispositivo no puede causar interferencia dañina, y
 - Este dispositivo debe aceptar cualquier interferencia que reciba, incluyendo aquella interferencia que podría producir un funcionamiento no deseado.

Este equipo ha sido probado y se ha demostrado que cumple con los límites establecidos para dispositivos digitales de Clase B, de conformidad con la Sección 15 de las Normas de la FCC. Estos límites están diseñados para ofrecer un nivel razonable de protección contra la interferencia dañina en instalaciones residenciales. Este equipo genera, utiliza y puede emitir energía de radiofrecuencia y, si no se instala y utiliza de acuerdo con las instrucciones proporcionadas, puede producir una interferencia dañina a la comunicación radial. Sin embargo, no existen garantías de que no ocurra interferencia alguna en una instalación en particular. Si este equipo produce interferencia dañina a la recepción radial o de televisión, lo que puede determinarse al apagar y volver a encender el equipo, se pide al usuario que corrija la interferencia implementando una o más de las siguientes medidas:

- Cambie la orientación o el lugar donde esté ubicada la antena receptora.
- Aumente el espacio que separa al equipo del receptor.

- Conecte el equipo a una toma de corriente que esté en un circuito diferente al circuito al que esté conectado el receptor.
- Consulte con el distribuidor o con un técnico de radio y televisión con experiencia que pueda ayudarle.
- Los cambios o modificaciones que no estén aprobados expresamente por el fabricante podrían anular la autorización del usuario para utilizar el dispositivo. Este aparato digital de la Clase B cumple con la norma canadiense ICES-003.
- Según el reglamento del Ministerio de Industria de Canadá, este transmisor de radio puede funcionar solamente con una antena del tipo y de la máxima (o menor) ganancia aprobados para el transmisor por el Ministerio de Industria de Canadá. Para reducir la posible interferencia radioeléctrica a otros usuarios, el tipo de antena y su ganancia deberían elegirse de manera que la potencia isotrópica radiada equivalente (p.i.r.e.) no sea mayor que la necesaria para una comunicación satisfactoria.
- Para cumplir con los límites de exposición a radiación de radiofrecuencia establecidos por la FCC y el Ministerio de Industria de Canadá para la población general, la antena utilizada para este dispositivo no debe ser colocada ni funcionar junto con cualquier otra antena o transmisor.

Para productos con Bluetooth®

- Al viajar en avión, asegúrese de cumplir con las restricciones de las líneas aéreas acerca del uso de dispositivos electrónicos personales y Bluetooth®. La función de alerta de fuera de alcance ha sido diseñada para servir de ayuda para evitar la pérdida o robo de productos. No es un sistema de seguridad.
- El rango de conectividad es de hasta 30.5 m (100 pies) dependiendo del entorno y la ubicación.
- Las señales de radiofrecuencia de onda corta de un dispositivo Bluetooth® pueden afectar el funcionamiento de otros dispositivos médicos y electrónicos (como marcapasos o audífonos).

NOTA: La marca denominativa y los logotipos de Bluetooth® son marcas registradas propiedad de Bluetooth®, SIG, Inc. y todo uso de dichas marcas por DEWALT se hace bajo licencia. Otras marca y nombres comerciales son de sus respectivos propietarios.

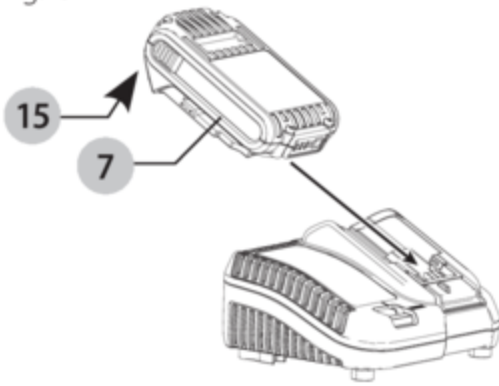
Este producto cumple con estas normas cuando se pone en funcionamiento con un alargador de 1.82 m (6 pies) o más corto.

Carga de una batería (Fig. C)

1. Enchufe el cargador en una toma de corriente apropiada antes de introducir la batería.

ESPAÑOL

Fig. C



2. Inserte la batería **7** en el cargador, comprobando esté bien fija. La luz roja (de carga) parpadeará continuamente para indicar que se ha iniciado el proceso de carga.
3. La luz roja se quedará ENCENDIDA continuamente cuando se haya completado el proceso de carga. La batería estará entonces completamente cargada y podrá ser utilizada de inmediato o dejarse en el cargador. Para sacar la batería del cargador, presione el botón de liberación **15** de la batería.

NOTA: Para asegurar el máximo rendimiento y vida útil de las baterías de iones de litio, cargue la batería completamente antes de usarla por primera vez.

Funcionamiento del cargador

Consulte los indicadores a continuación relativos al estado de carga de la batería.

DCB107, DCB112, DCB113, DCB115, DCB118, DCB132	
	Unidad en Proceso de Carga
	Unidad Cargada
	Retraso por Unidad Caliente/Frío*

***DCB107, DCB112, DCB113, DCB115, DCB118, DCB132:** La luz roja continuará parpadeando, pero una luz indicadora amarilla estará iluminada durante esta operación. Una vez que la batería haya llegado a una temperatura apropiada, la luz amarilla se apagará y el cargador continuará con el procedimiento de carga.

El cargador no cargará una batería defectuosa. El cargador indicará que la unidad de batería es defectuosa al no iluminarse o al indicar que existe un problema con la unidad o el cargador.

NOTA: Esto también puede significar que hay un problema con el cargador.

Si el cargador indica un problema, lleve el cargador y la batería a un centro de servicio autorizado para que sean sometidos a pruebas.

Retraso por batería caliente/fría

Cuando el cargador detecta que una batería está demasiado caliente o demasiado fría, inicia automáticamente un Retraso por batería caliente/fría y suspende la carga hasta que la batería alcanza una temperatura adecuada. En ese momento, el cargador inicia automáticamente el modo de carga de la batería. Esta función garantiza la máxima duración de la batería.

Una batería fría se carga más lentamente que una batería caliente. La batería se cargará a ese ritmo más lento durante todo el ciclo de carga y no volverá a cargarse a la velocidad de carga máxima incluso si la batería se calienta.

El cargador DCB118 está equipado con un ventilador interno diseñado para enfriar la batería. El ventilador se encenderá automáticamente cuando la batería tenga que enfriarse.

No opere nunca el cargador si el ventilador no funciona adecuadamente o si las ranuras de ventilación están obstruidas. No permita que entren objetos extraños dentro del cargador.

Sistema de protección electrónica

Las herramientas con baterías de iones de litio están diseñadas con un Sistema de protección electrónico que protegerá la batería contra la sobrecarga, el sobrecalentamiento o la descarga completa.

La herramienta se apagará automáticamente si el Sistema de protección electrónico se activa. Si esto ocurre, coloque la batería de iones de litio en el cargador hasta que esté totalmente cargada.

Montaje en la pared

DCB107, DCB112, DCB113, DCB115, DCB118, DCB132

Estos cargadores están diseñados para montarse en la pared o colocarse en posición vertical sobre una mesa o superficie de trabajo. Si lo monta en la pared, coloque el cargador al alcance de una toma de corriente eléctrica y alejado de las esquinas u otras obstrucciones que puedan impedir el flujo de aire. Utilice la parte de atrás del cargador como plantilla para la ubicación de los tornillos de montaje en la pared. Monte el cargador firmemente utilizando tornillos para muro seco (comprados por separado) de un mínimo de 25,4 mm (1") de largo, con una cabeza de un diámetro de 7-9 mm (0,28-0,35"), atornillados en madera hasta una profundidad óptima dejando el tornillo expuesto aproximadamente 5,5 mm (7/32"). Alinee las ranuras en la parte trasera del cargador con los tornillos expuestos e introdúzcalos totalmente en las ranuras.

Instrucciones de limpieza del cargador

⚠ ADVERTENCIA: Riesgo de descarga eléctrica. Desconecte el cargador del tomacorriente de CA antes de limpiarlo. Para limpiar la suciedad y grasa del exterior del cargador puede usarse un paño o cepillo suave no metálico. No use agua ni soluciones limpiadoras.

Notas importantes sobre la carga

1. Se puede obtener una mayor duración y un mejor rendimiento si la unidad de batería se carga a una temperatura ambiente de 18–24 °C (65–75 °F). NO cargue la unidad de batería a una temperatura ambiental inferior a +4.5 °C (+40 °F) o superior a +40 °C (+104 °F). Esto es importante y evitará causar daños graves a la batería.
2. Puede que el cargador y la unidad de batería se calienten ligeramente durante el proceso de carga.

Esto es normal y no representa ningún problema. Para facilitar el enfriamiento de la unidad de batería después del uso, evite colocar el cargador o la unidad de batería en un lugar cálido, como un cobertizo metálico o un remolque sin aislamiento térmico.

3. Si la unidad de batería no se carga correctamente:
 - a. Verifique el funcionamiento de la toma enchufando una lámpara u otro aparato;
 - b. Revise que la toma de corriente no esté conectada a un interruptor de luz que corte la corriente cuando se corte la luz;
 - c. Mueva el cargador y la unidad de batería a un lugar donde la temperatura ambiental sea aproximadamente 18–24 °C (65–75 °F);
 - d. Si el problema de carga continúa, lleve la herramienta, unidad de batería y el cargador a su centro de servicio local.
4. La unidad de batería debería ser recargada cuando no sea capaz de producir suficiente potencia para trabajos que eran fácilmente realizados antes. NO CONTINÚE usándola bajo estas circunstancias. Siga el procedimiento de carga. También puede cargar una unidad de batería que haya sido usada parcialmente cuando lo desee, sin dañarla.
5. Los materiales ajenos conductores por naturaleza, tales como, pero sin limitarse a, el polvo del esmerilado, las virutas metálicas, la lana de acero, el papel de aluminio o cualquier acumulación de partículas metálicas deberían mantenerse alejados de las cavidades del cargador. Desenchufe siempre el cargador de la toma de corriente cuando no haya una unidad de batería en su cavidad. Desenchufe el cargador antes de intentar limpiarlo.
6. No congele ni sumerja el cargador en agua o cualquier otro líquido.


Recomendaciones de almacenamiento

1. El mejor lugar de almacenamiento es uno que sea fresco y seco, lejos de la luz solar directa y del exceso de calor o frío.
2. Para resultados óptimos durante tiempos prolongados de almacenamiento, se recomienda almacenar la unidad de batería completamente cargada en un lugar fresco y seco fuera del cargador.

NOTA: Las unidades de batería no deberían almacenarse completamente descargadas. La unidad de batería deberá recargarse antes de ser usada.

GUARDE ESTAS INSTRUCCIONES PARA VOLVER A CONSULTAR EN EL FUTURO

COMPONENTES (FIG. A)

 **ADVERTENCIA:** Nunca modifique la herramienta eléctrica, ni tampoco ninguna de sus piezas. Podría producir lesiones corporales o daños.

Consulte la Figura A al principio de este manual para obtener una lista completa de los componentes.

USO DEBIDO

Su sierra de cadena DEWALT DCCS620 es ideal para aplicaciones de poda y para cortar troncos de hasta 254 mm (10") de diámetro.


NO utilice la herramienta en condiciones de humedad o en presencia de líquidos o gases inflamables.


Esta sierra de cadena es una herramienta eléctrica profesional.

NO permita que los niños toquen la herramienta. Si el operador no tiene experiencia operando esta herramienta, su uso deberá ser supervisado.

ENSAMBLAJE

Instalación de la barra de guía y la cadena de la sierra (Fig. A, D–F, H)

 **ATENCIÓN:** Cadena filosa. Siempre use guantes de protección cuando maneje la cadena. La cadena es filosa y puede cortarlo cuando no está en funcionamiento.

 **ADVERTENCIA:** cadena filosa en movimiento. Para evitar el funcionamiento accidental, asegúrese de que la batería esté desconectada de la herramienta antes de realizar las siguientes operaciones. El incumplimiento de esta instrucción puede provocar graves lesiones corporales.

Si la cadena de la sierra **5** y la barra de guía **4** vienen en paquetes separados en la caja, la cadena debe estar instalada en la barra y ambas deben estar colocadas en el cuerpo de la herramienta.

- Coloque la sierra en una superficie plana y firme.
- Levante la palanca de bloqueo y gire la perilla de bloqueo de ajuste de la barra **8** en sentido antihorario, como se muestra en la Figura D para quitar la cubierta de la rueda dentada **6**.
- Con los guantes de protección, tome la cadena de la sierra **5** y enróllela alrededor de la barra de guía **4** asegurándose de que los dientes estén mirando hacia la dirección correcta (véase la Figura H).
- Asegúrese de que la cadena esté bien instalada en la ranura alrededor de toda la barra de guía.
- Coloque la cadena de la sierra alrededor de la rueda dentada **18**. Simultáneamente, alinee la ranura de la barra de guía con la clavija tensora de la cadena **20** y el perno **19** en la base de la herramienta como se muestra en la Figura E.
- Una vez en su lugar, sujete la barra con firmeza y vuelva a colocar la cubierta de la rueda dentada **6**. Asegúrese de que el orificio para el perno del ensamblaje tensor sin herramientas en la cubierta se alinee con el perno **19** en la carcasa principal. Levante la palanca de bloqueo y gire la perilla de bloqueo de ajuste de la barra **8** en sentido horario hasta que se escuche un clic; luego, afloje la perilla una vuelta completa, de manera que la cadena de la sierra pueda tensarse debidamente.
- Gire la perilla tensora de la cadena **9** en sentido horario para incrementar la tensión, como se muestra en la

ESPAÑOL

Figura F. Asegúrese de que la cadena de la sierra **5** se encuentre ceñida alrededor de la barra de guía **4**. Ajuste la perilla de bloqueo de ajuste de la barra hasta que se escuche un clic. La barra está asegurada después de que se escuchan con claridad tres clics. No se requiere ajuste adicional.

Fig. D

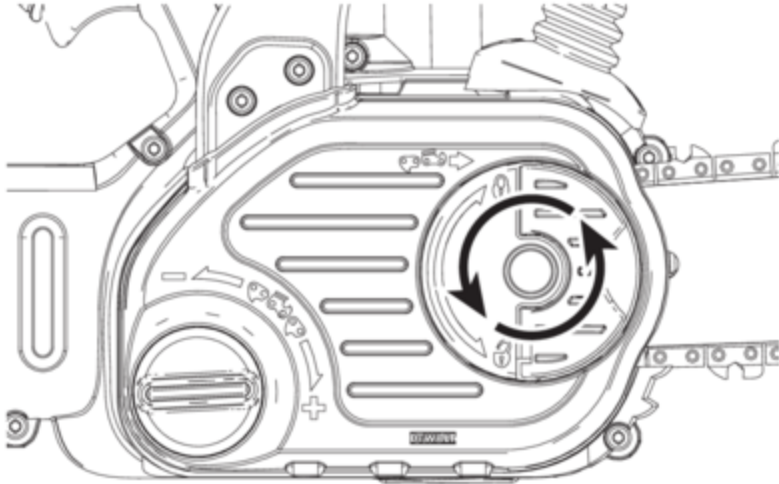


Fig. E

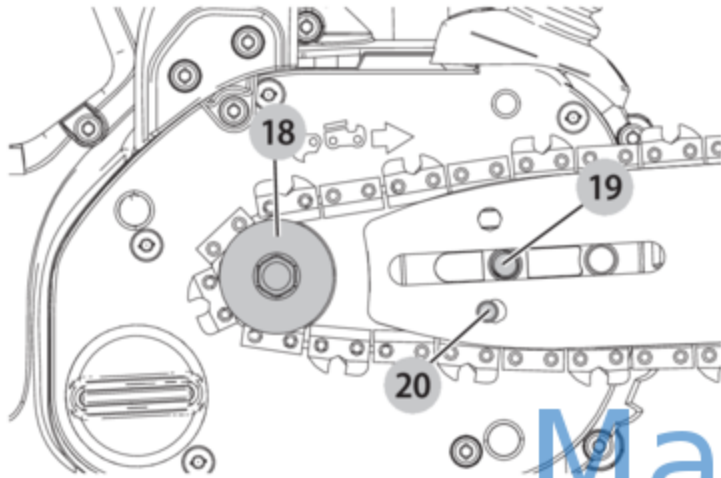
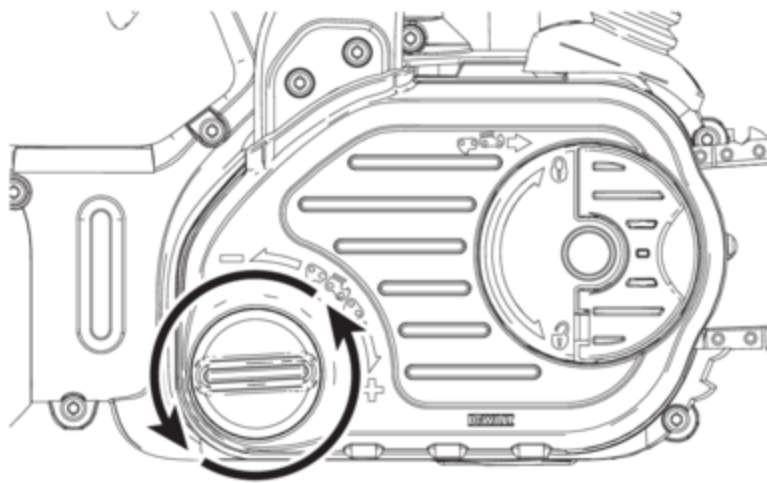


Fig. F



Ajuste de la tensión de la cadena (Fig. A, G)

⚠ ATENCIÓN: Cadena filosa. Siempre use guantes de protección cuando maneje la cadena. La cadena es filosa y puede cortarlo cuando no está en funcionamiento.

⚠ ADVERTENCIA: cadena filosa en movimiento. Para evitar el funcionamiento accidental, asegúrese de que la batería esté desconectada de la herramienta antes de realizar las siguientes operaciones. El incumplimiento de esta instrucción puede provocar graves lesiones corporales.

- Verifique la tensión de la cadena de la sierra **5** mientras la sierra todavía está en una superficie plana y firme. La tensión es la adecuada si la cadena encaja nuevamente

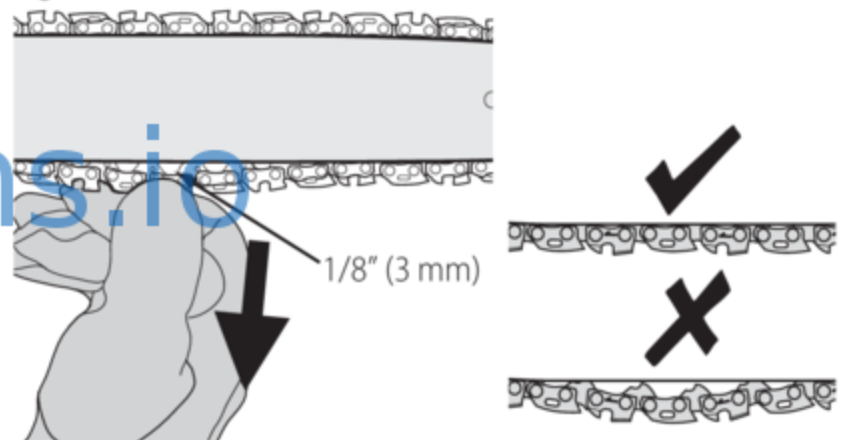
después de separarla 3 mm (1/8") de la barra de guía **4** ejerciendo leve fuerza con el dedo índice y el pulgar como se muestra en la figura I. No debe haber ninguna "curvatura" entre la barra de guía y la cadena en la parte inferior como se muestra en la figura G.

- Para ajustar la tensión de la cadena de la sierra, levante la lengüeta de bloqueo y gire la perilla de bloqueo de ajuste de la barra **9** en sentido antihorario una vuelta completa. Gire la perilla para tensar la cadena **9** en sentido horario hasta que la tensión de la cadena sea la adecuada según se indica más arriba.
- No tensione en exceso la cadena ya que provocará un desgaste excesivo y reducirá la vida de la barra y la cadena.
- Una vez que la tensión de la cadena sea correcta, ajuste firmemente la perilla de bloqueo de ajuste de la barra.

NOTA: La perilla de bloqueo de ajuste de la barra tiene un sistema de ajuste de retención. La cubierta de la rueda dentada está asegurada después de que se escuchan con claridad tres clics. No se requiere ajuste adicional.

- Cuando la cadena es nueva verifique la tensión con frecuencia (después de desconectar la batería) durante las 2 primeras horas de uso ya que una cadena nueva es levemente flexible.

Fig. G



Reemplazo de la cadena de sierra (Fig. A, H)

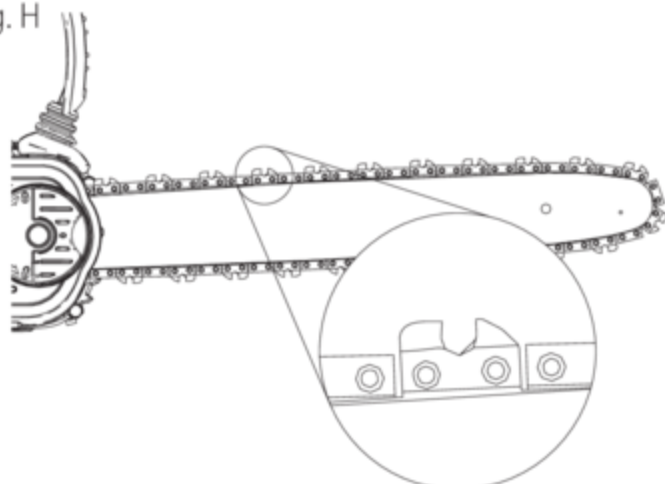
⚠ ATENCIÓN: Cadena filosa. Siempre utilice guantes de protección cuando maneje la cadena. La cadena es filosa y puede cortarlo cuando no está en funcionamiento.

⚠ ADVERTENCIA: cadena filosa en movimiento. Para evitar el funcionamiento accidental, asegúrese de que la batería esté desconectada de la herramienta antes de realizar las siguientes operaciones. El incumplimiento de esta instrucción puede provocar graves lesiones corporales.

- Para liberar la tensión de la cadena, levante la lengüeta de bloqueo y gire la perilla de bloqueo de ajuste de la barra **8** en sentido antihorario.
- Retire la cubierta de la rueda dentada **6** como se describe en la sección **Instalación de la barra de guía y la cadena de la sierra**.
- Levante la cadena de la sierra desgastada **5** para sacarla de la ranura en la barra de guía **4**.

- Coloque la cadena nueva en la ranura de la barra de guía asegurándose de que los dientes de la sierra apunten en la dirección correcta haciendo coincidir la flecha en la cadena con el gráfico en la cubierta de la rueda dentada **6** como se muestra en la figura H.
- Siga las instrucciones para la **Instalación de la barra de guía y la cadena de la sierra.**

Fig. H



La cadena y la barra de repuesto pueden obtenerse en su centro de servicio DEWALT más cercano.

- La DCCS620 requiere la cadena de repuesto # DWRC1200, pieza de mantenimiento número 90586162. Barra de repuesto de 12", pieza de mantenimiento número N507300.

Aceitado de la cadena de la sierra y la barra de guía (Fig. I)

Sistema de aceitado automático

Esta sierra de cadena está equipada con un sistema de aceitado automático que mantiene la cadena de la sierra y la barra de guía lubricadas constantemente. El indicador de nivel de aceite **10** muestra el nivel del aceite en la sierra de cadena. Si el nivel de aceite es menos de un cuarto, retire la batería de la sierra de cadena y rellene con el tipo de aceite correcto. Vacíe siempre el depósito de aceite cuando acabe de cortar.

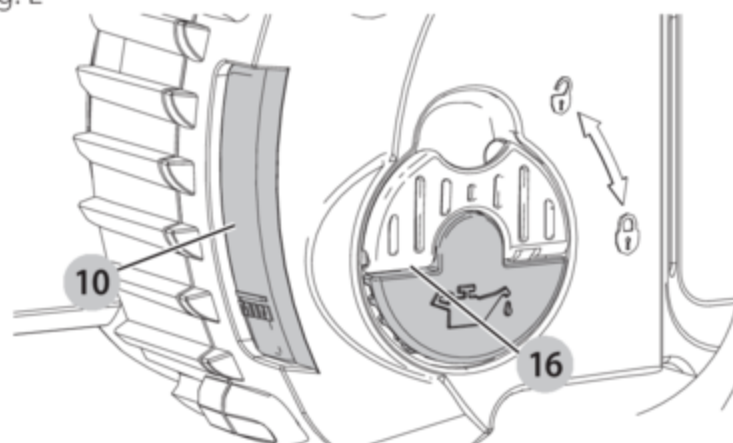
NOTA: Utilice un aceite de buena calidad para una lubricación adecuada de la cadena y la barra. Como sustituto temporal puede usarse un aceite de motor de peso SAE30 sin detergente. Se recomienda utilizar un aceite vegetal para lubricar la barra y la cadena cuando se poden árboles. No se recomienda usar aceite mineral porque puede dañar los árboles. Nunca use aceite de desecho ni aceites demasiado gruesos. Podrían dañar su sierra de cadena.

Llenado del depósito de aceite

- Baje la palanca de bloqueo y desenrosque en sentido antihorario un cuarto de vuelta y luego retire la tapa del depósito de aceite **16**. Llene el depósito con el aceite recomendado para la barra y la cadena hasta que el nivel de aceite haya llegado a la parte superior del indicador de nivel de aceite **10**.
- Vuelva a poner el tapón al depósito de aceite y ajústelo en sentido horario un cuarto de vuelta. Levante la palanca de bloqueo hasta su posición bloqueada.

- Apague la sierra de cadena periódicamente y compruebe el indicador de nivel de aceite para asegurarse de que la barra y la cadena estén aceitadas adecuadamente.

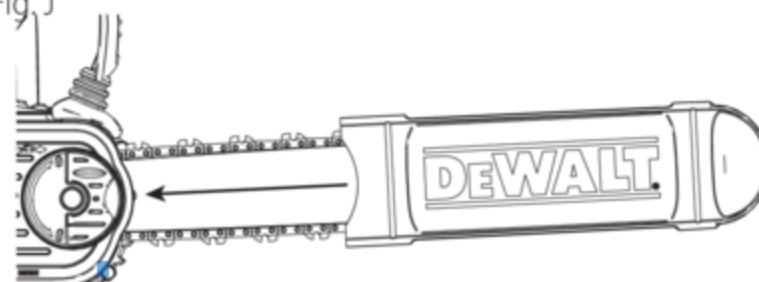
Fig. L



Transporting Saw (Fig. A, J)

- Always remove the battery from the tool and cover the guide bar **4** with the scabbard **11** (see Figure J) when transporting the saw.
- Engage chain brake by pushing chain brake / front hand guard **3** forward.

Fig. J



OPERACIÓN

⚠ ADVERTENCIA: Para reducir el riesgo de lesiones personales graves, apague la herramienta y retire el paquete de baterías antes de realizar ajustes o de retirar/instalar dispositivos o accesorios. Un arranque accidental podría causar lesiones.

Cómo instalar y retirar la unidad de batería (Fig. K, L)

NOTA: Para mejores resultados, verifique que su unidad de batería esté completamente cargada.

Para instalar la unidad de batería **7** en el mango de la herramienta, alinee la unidad de batería con los rieles en el interior del mango de la herramienta (Fig. K) y deslícela en el mango hasta que la unidad de batería quede firmemente insertada en la herramienta; verifique que ésta no se salga sola.

Para retirar la unidad de alimentación de la herramienta, presione los botones de liberación **15** y tire firmemente de la unidad de batería para sacarla del mango de la herramienta (Fig. L). Insértela en el cargador tal como se describe en la sección del cargador de este manual.

Fig. K

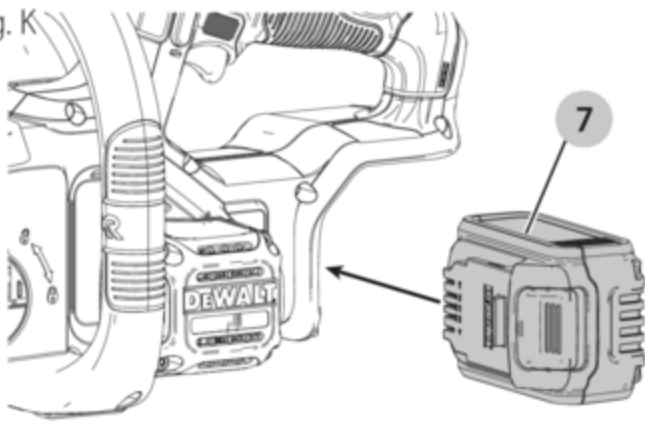
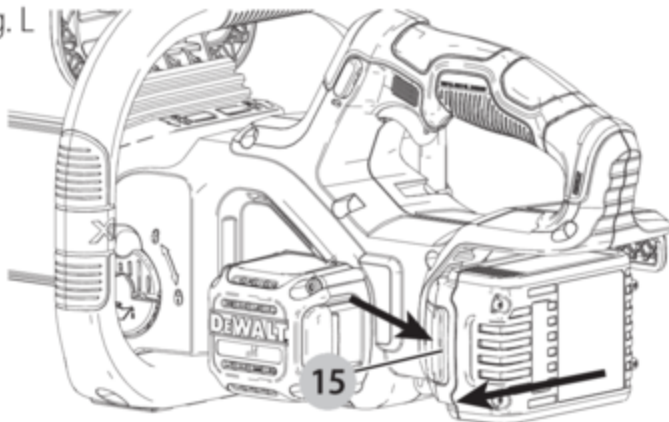


Fig. L



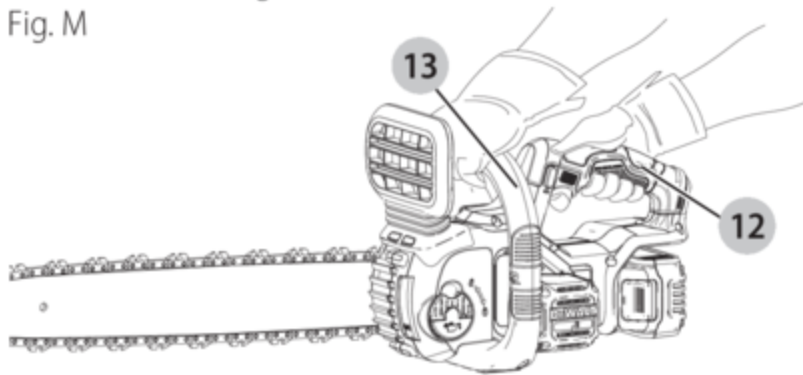
Posición adecuada de las manos (Fig. A, M)

ADVERTENCIA: Para reducir el riesgo de lesión personal grave, tenga **SIEMPRE** las manos en una posición adecuada como se muestra.

ADVERTENCIA: Para reducir el riesgo de lesión personal grave, sujete **SIEMPRE** bien en caso de que haya una reacción repentina.

Para tener una posición adecuada de las manos, ponga la mano izquierda en el mango delantero **13** y la mano derecha en el mango trasero **12**.

Fig. M



Operación de la sierra de cadena (Fig. A, N-0)

ADVERTENCIA: Lea y comprenda todas las instrucciones. El incumplimiento de las instrucciones que se indican a continuación podría provocar una descarga eléctrica, un incendio y/o lesiones corporales graves.

- Prevenga los rebotes que pueden provocar lesiones graves o la muerte. Consulte las Instrucciones de seguridad importantes **Prevenga los rebotes**, para evitar el riesgo de rebotes.
- No estire el cuerpo demasiado. No corte por encima de la altura del pecho. Asegúrese de estar parado correctamente. Mantenga sus

pies separados. Distribuya su peso de manera uniforme en ambos pies.

- Sujete firmemente el mango delantero **13** con su mano izquierda y el mango trasero **12** con su mano derecha de modo que su cuerpo esté a la izquierda de la barra de guía.
- No sujete la sierra de cadena del protector delantero de la mano/freno de la cadena **3**. Mantenga el codo del brazo izquierdo fijo para que el brazo izquierdo esté derecho a fin de resistir un rebote.

ADVERTENCIA: Nunca sujete la sierra con las manos en posición cruzada (mano izquierda en el mango trasero y mano derecha en el mango delantero)

ADVERTENCIA: Nunca permita que ninguna parte del cuerpo esté en la línea de la barra de guía **4** cuando opera la sierra de cadena.

- Nunca opere mientras está en un árbol, en cualquier posición complicada o en una escalera u otra superficie inestable. Puede perder el control de la sierra y provocar lesiones graves.
- Mantenga la sierra de cadena funcionando a máxima velocidad todo el tiempo que corte.
- Permita que la cadena corte por usted. Sólo ejerza poca presión. No aplique presión sobre la sierra de cadena al final del corte.

ADVERTENCIA: Cuando no esté usándola tenga siempre activado el freno de la cadena y la batería sacada.

Interruptor de encendido/apagado

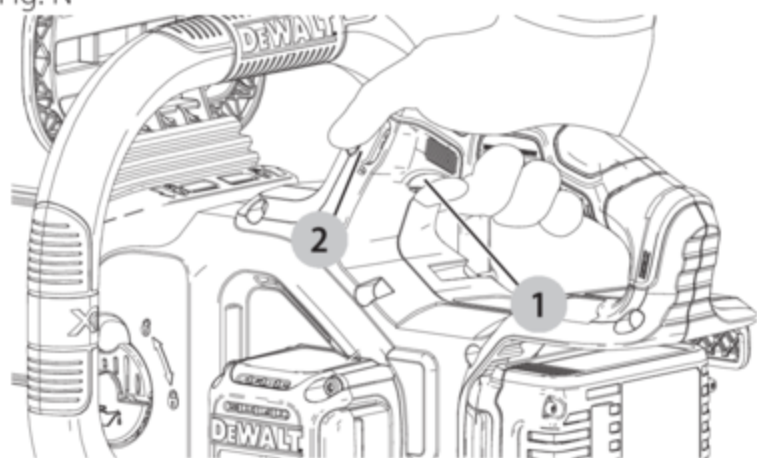
Siempre asegure la posición de sus pies y sujete la sierra de cadena firmemente con ambas manos con el pulgar y los dedos rodeando ambas manijas.

Para encender la unidad, asegúrese que el freno de la cadena no esté conectado. Deslice la palanca de bloqueo de apagado **2**, que se muestra en la Figura N, y apriete el interruptor de gatillo **1**. Una vez que la unidad esté en operación, puede liberar la palanca de bloqueo de apagado. Para mantener la unidad en operación, debe continuar oprimiendo el gatillo. Para apagar la unidad, libere el gatillo.

NOTA: Si se aplica demasiada fuerza mientras realiza un corte, la sierra se apagará. Para volver a arrancar la sierra, debe liberar el interruptor de gatillo **1** antes que vuelva a arrancar la sierra. Comience su corte de nuevo, esta vez con menos fuerza. Permita que la sierra corte a su propio ritmo.

ADVERTENCIA: No intente nunca bloquear un interruptor en la posición de encendido.

Fig. N



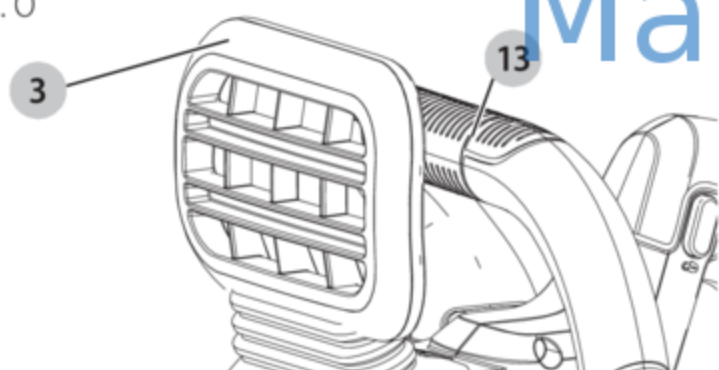
Fijación del freno de la cadena

Su sierra de cadena está equipada con un sistema de freno de la cadena a motor que detendrá la cadena rápidamente en caso de rebote.

- Saque la batería de la herramienta.
- Para activar el freno de la cadena, empuje el freno de la cadena / protector delantero de la mano **3** hacia adelante hasta esté en su sitio y se oiga un clic.
- Tire del freno de la cadena / protector delantero de la mano **3** hacia el mango delantero **13** en la posición de "fijado», como se muestra en la Figura O.
- La herramienta está ahora lista para usarse.

NOTA: En caso de rebote, su mano izquierda entrará en contacto con el protector delantero, empujándolo hacia adelante, hacia la pieza de trabajo. Esto hará que se pare la herramienta.

Fig. O



Comprobación del freno de la cadena

Compruebe el freno de la cadena antes de cada uso para verificar que funciona correctamente.

- Coloque la herramienta en una superficie plana y firme. Asegúrese de que la cadena de la sierra **5** no esté en el piso.
- Agarre la herramienta firmemente con ambas manos y encienda la sierra de cadena.
- Gire su mano izquierda hacia adelante alrededor del mango delantero **13** de manera que la parte trasera de la mano entre en contacto con el freno de la cadena / protector delantero de la mano **3** y empujelo hacia adelante, hacia la pieza de trabajo. La cadena de la sierra debería pararse inmediatamente.

NOTA: Si la sierra no se para inmediatamente, deje de utilizar la herramienta y llévela al centro de servicio DEWALT más cercano.

ADVERTENCIA: Asegúrese de fijar el freno de la cadena antes de cortar.

Técnicas de corte comunes (Fig. A, P, Q, R, S, T)

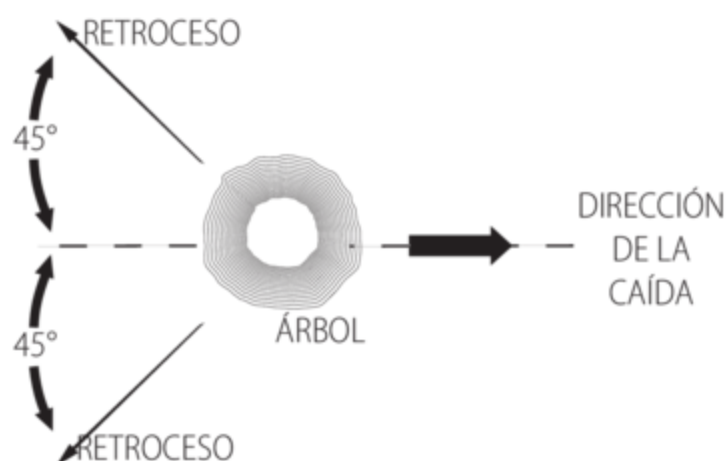
Tala

Es el proceso de cortar un árbol. Asegúrese de que la batería esté totalmente cargada antes de talar un árbol para que pueda terminar en una sola carga. No tale árboles cuando haya vientos fuertes.

ADVERTENCIA: La tala puede provocar lesiones. Solo debe realizarla una persona capacitada.

- Se debe planificar un trayecto de retirada y se debe despejar según sea necesario antes de comenzar los cortes. El trayecto de retirada se debe extender hacia atrás y en diagonal de la parte trasera de la línea de caída prevista (véase la Figura P).

Fig. P

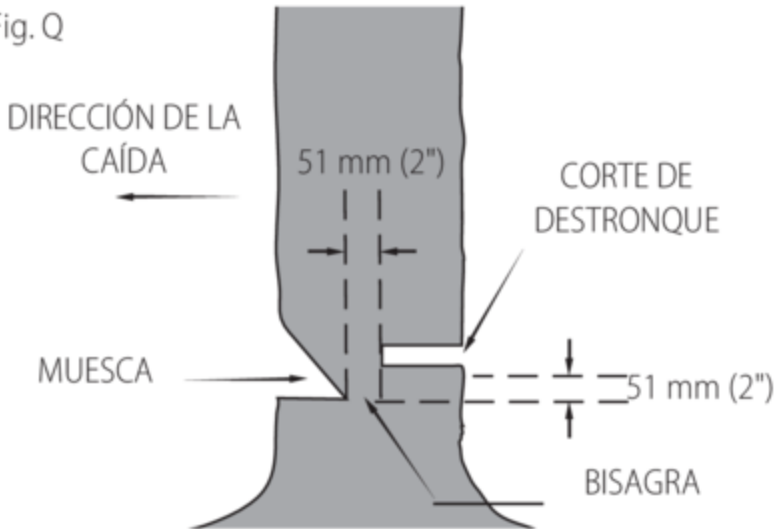


- Antes de empezar la tala, considere la inclinación natural del árbol, la ubicación de las ramas más grandes y la dirección del viento para juzgar de qué lado caerá el árbol. Tenga a mano cuñas (de madera, plástico o aluminio) y un mazo pesado. Retire la suciedad, piedras, cortezas sueltas, clavos, grapas y alambre del árbol donde se realizarán los cortes de tala.
- Muesca de entallado - Haga la muesca de 1/3 del diámetro del árbol, perpendicular a la dirección de caída. Primero realice un corte de muesca bajo y horizontal. Esto ayudará a evitar que la madera muerda la cadena de la sierra o la barra de guía cuando se haga la segunda muesca (véase la Figura Q).
- Corte de destronque - Haga el corte de destronque de al menos 51 mm (2") más alto que el corte de muesca horizontal. Mantenga el corte de destronque paralelo al corte de muesca horizontal. Realice un corte de destronque para dejar madera suficiente a fin de que funcione como una bisagra. La madera en función de bisagra hace que el árbol ni gire ni caiga en la dirección errónea. No corte en la bisagra (véase la Figura Q).
- A medida que se acerca el corte de tala a la bisagra el árbol debería comenzar a caerse. Si existe alguna posibilidad de que el árbol no caiga en la dirección deseada o se balancee hacia atrás y trabe la cadena de la sierra, detenga el corte antes de que el corte de tala se complete y utilice cuñas para abrir el corte y tirar el árbol hacia a línea de caída deseada. Cuando el árbol comience a caer retire la sierra de cadena del corte, detenga el motor, deposite la sierra de cadena en el piso y luego utilice el trayecto de retirada planificado.

ESPAÑOL

Esté atento a la caída de ramas y también mire cuidadosamente donde camina.

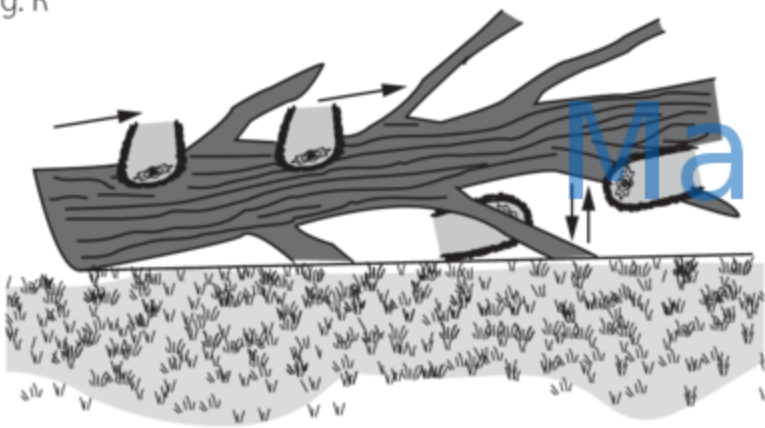
Fig. Q



Escamonda

La extracción de las ramas de un árbol caído. Cuando realice una escamonda, deje las ramas más grandes que se encuentran más abajo para separar el tronco del piso. Extraiga las ramas pequeñas con un solo corte. Las ramas tensadas se deben cortar desde abajo hacia arriba para evitar que la sierra de cadena se trabe, como se muestra en la Figura R. Rebaje las ramas del lado opuesto manteniendo el tronco del árbol entre usted y la sierra. Nunca realice cortes con la sierra entre las piernas ni se sienta a horcajadas sobre la rama que cortará.

Fig. R

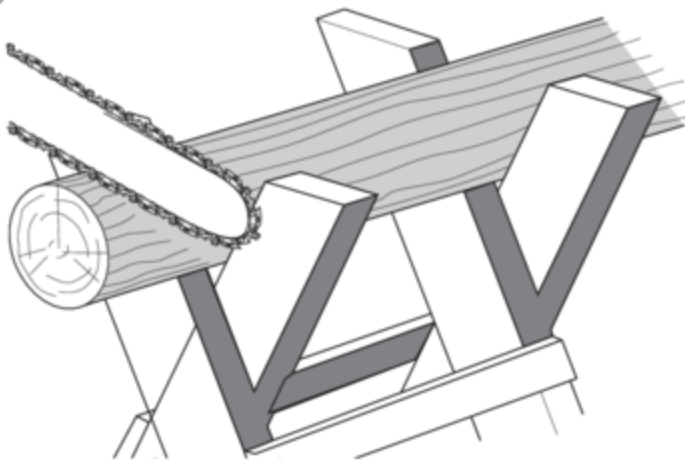


Tronzado

⚠️ ADVERTENCIA: se recomienda que las personas que utilicen la sierra por primera vez practiquen cortar con un caballete de aserrado.

Cortar un árbol caído o tronco en largos. La forma de corte depende de la manera en que el tronco esté apoyado. Utilice un caballete (véase la Figura S) cuando sea posible.

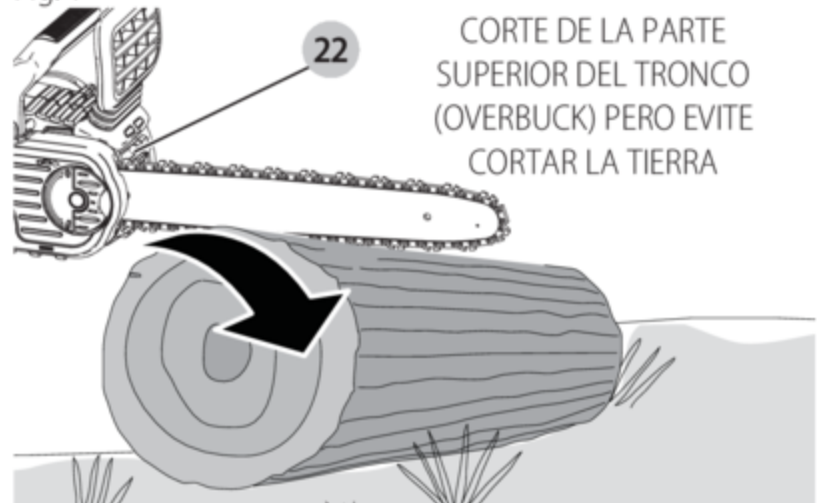
Fig. S



- Siempre comience un corte con la cadena funcionando a máxima velocidad.

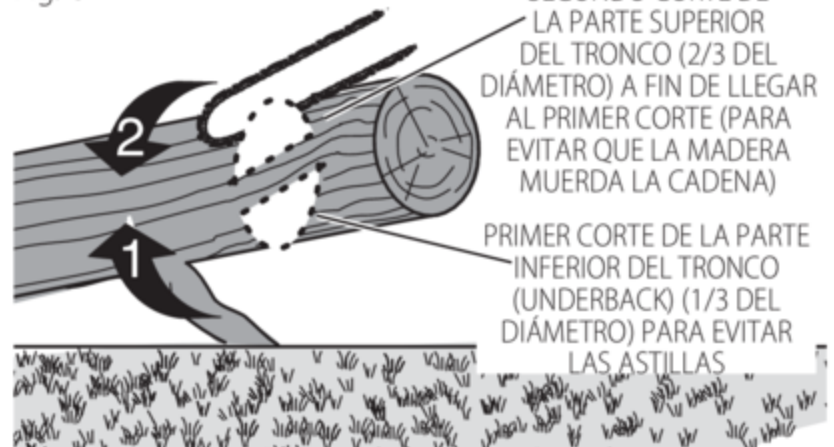
- Coloque la punta inferior **22** de la sierra de cadena por detrás del área del corte inicial, como se muestra en la Figura T.
- Encienda la sierra de cadena y gire la cadena y la barra hacia abajo en el árbol, utilizando la punta como bisagra.
- Cuando la sierra de cadena alcance un ángulo de 45 grados, nivele la sierra de nuevo y repita los pasos hasta que realice el corte completo.
- Cuando el árbol está apoyado sobre su largo completo, realice un corte de la parte superior del tronco (overbuck), pero evite cortar la tierra ya que esto desafilará su sierra rápidamente.

Fig. T



- **Figura U-** Cuando está apoyado sobre un extremo Primero, corte 1/3 del diámetro de la parte inferior (underbuck). Luego, realice el corte de acabado cortando hacia arriba para llegar al primer corte.

Fig. U



- **Figura V-** Cuando está apoyado sobre ambos extremos. Primero, corte 1/3 hacia abajo desde la parte superior. Después, realice el corte de acabado cortando hacia abajo los 2/3 inferiores para llegar al primer corte.

Fig. V



- Cuando esté en una pendiente párese siempre en el lado cuesta arriba del tronco. Cuando "corte" para mantener un control total reduzca la presión de corte cerca del final del corte sin relajar la sujeción de los

mangos de la sierra de cadena. No permita que la sierra entre en contacto con el piso. Después de finalizar el corte, espere que la cadena de la sierra se detenga antes de mover la sierra de cadena. Siempre detenga el motor antes de trasladarse de pasar de un corte a otro.

CUIDADO Y MANTENIMIENTO

Para limpiar la herramienta utilice solamente jabón suave y un paño húmedo. No utilice solventes para limpiar la cubierta plástica de la sierra. Jamás permita que le entre líquido alguno a la herramienta ni sumerja ninguna de sus piezas en un líquido.

IMPORTANTE: Para garantizar la SEGURIDAD y CONFIABILIDAD del producto, las reparaciones, el mantenimiento y los ajustes se deben realizar en un centro de servicio autorizado de DEWALT, utilizando siempre piezas de repuesto idénticas

El mantenimiento regular asegura una vida larga y eficaz para su sierra de cadena.

Cadena y barra

Después de varias horas de uso, extraiga la cubierta de la rueda dentada, la barra de guía y la cadena y límpielas a fondo utilizando un cepillo de cerdas suaves. Asegúrese de que el orificio de aceitado en la barra no tenga residuos. Al reemplazar las cadenas desafiladas por cadenas filosas es conveniente voltear la barra de la cadena de la parte inferior a la superior.

Afilado de la cadena de la sierra

ATENCIÓN: Cadena filosa. Siempre utilice guantes de protección cuando maneje la cadena. La cadena es filosa y puede cortarle cuando no está en funcionamiento.

ADVERTENCIA: cadena filosa en movimiento. Para evitar el funcionamiento accidental, asegúrese de que la batería esté desconectada de la herramienta antes de realizar las siguientes operaciones. El incumplimiento de esta instrucción puede provocar graves lesiones corporales.

NOTA: Las cortadoras se desafilan inmediatamente si tocan el suelo o un clavo al cortar.

Para obtener el mejor rendimiento posible de su sierra de cadena es importante mantener los dientes de la cadena filosos. Siga estos consejos útiles para el afilado apropiado de la cadena de la sierra:

1. Para obtener mejores resultados utilice una lima de 4,5 mm y un sujetador de lima o una guía de limado para afilar su cadena. Esto seguramente hará que siempre obtenga los ángulos de afilado correctos.
2. Coloque el sujetador de lima en forma plana sobre la placa superior de y el calibre de profundidad de la cortadora.
3. **Figura W-** Mantenga la línea del ángulo de limado correcta de la placa superior **19** de 30° de su guía de limado paralela a su cadena (lima a 60° de la cadena vista desde el lado).

4. Afile las cortadoras primero de un lado de la cadena. Lime desde la cara interna de cada cortadora hacia afuera. Después gire la sierra y repita los procesos (2,3,4) para las cortadoras del otro lado de la cadena.

NOTA: Utilice una lima plana para limar las partes superiores de los dientes rastrilladores (parte de la unión de la cadena en el frente de la cortadora) para que estén a 0,63 mm (0,025") por debajo de las puntas de las cortadoras.

5. **Figura Y-** Mantenga todas las longitudes de las cortadoras iguales.
6. Si las superficies cromadas de las placas superiores o laterales presentan daños, lime otra vez hasta eliminar el daño

ATENCIÓN: Después del limado, la cortadora estará filosa, tenga extremo cuidado durante este proceso.

NOTA: cada vez que se afila la cadena, pierde algo de las cualidades de bajo rebote y se debe tener extremo cuidado. No se recomienda afilar la cadena más de cuatro veces.

Fig. W

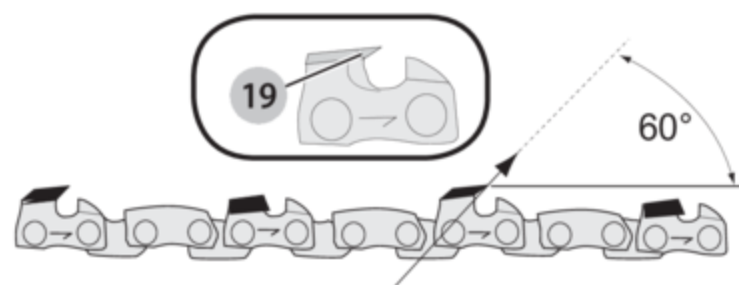


Fig. X

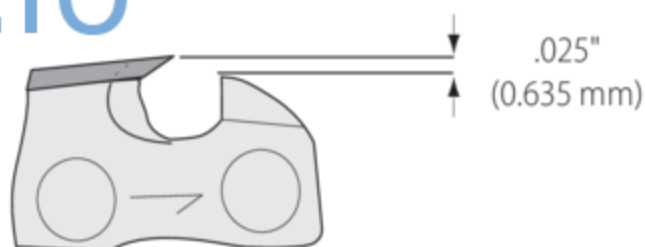
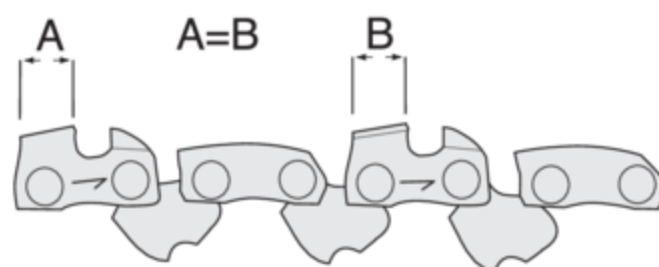


Fig. Y




Accesorios

ADVERTENCIA: Debido a que no se han probado con este producto otros accesorios que no sean los que ofrece DEWALT., el uso de dichos accesorios con esta herramienta podría ser peligroso. Para reducir el riesgo de lesiones, con este producto deben usarse sólo los accesorios recomendados por DEWALT.

Los accesorios que se recomiendan para utilizar con la herramienta están disponibles a un costo adicional en su distribuidor local o en un centro de mantenimiento autorizado. Si necesita ayuda para localizar algún accesorio, póngase en contacto con DEWALT Industrial Tool Co., 701 East Joppa Road, Towson, MD 21286, llame

ESPAÑOL

al 1-800-4-DEWALT (1-800-433-9258) o visite nuestro sitio web: www.dewalt.com.

 **ADVERTENCIA:** *el uso de accesorios no recomendados en este manual puede ser peligroso.*

La cadena y la barra de repuesto pueden obtenerse en su centro de servicio autorizado DEWALT más cercano. Para utilizarse únicamente con la barra y cadena de bajo rebote.

Barras y cadenas disponibles para la **DCCS670:**


Barra: pieza de mantenimiento de 16" número 90641855

pieza de mantenimiento de 18" número N500117


Cadena: pieza de mantenimiento de 16" número 90618541


pieza de mantenimiento de 18" número N500152

MANTENIMIENTO

 **ADVERTENCIA:** *Para reducir el riesgo de lesiones personales graves, apague la herramienta y retire el paquete de baterías antes de realizar ajustes o de retirar/instalar dispositivos o accesorios. Un arranque accidental podría causar lesiones.*


Limpieza

 **ADVERTENCIA:** *Sople la suciedad y el polvo de todos los conductos de ventilación con aire seco, al menos una vez por semana. Para reducir el riesgo de lesiones, utilice siempre protección para los ojos aprobada ANSI Z87.1 al realizar esta tarea.*

 **ADVERTENCIA:** *Nunca utilice solventes ni otros químicos abrasivos para limpiar las piezas no metálicas de la herramienta. Estos productos químicos pueden debilitar los materiales plásticos utilizados en estas piezas. Utilice un paño humedecido sólo con agua y jabón neutro. Nunca permita que penetre líquido dentro de la herramienta ni sumerja ninguna de las piezas en un líquido.*

Reparaciones

El cargador y las unidades de batería no pueden ser reparados.

 **ADVERTENCIA:** *Para asegurar la SEGURIDAD y la CONFIABILIDAD del producto, las reparaciones, el mantenimiento y los ajustes (inclusive la inspección y el cambio de las escobillas, cuando proceda) deben ser realizados en un centro de mantenimiento en la fábrica DEWALT u en un centro de mantenimiento autorizado DEWALT. Utilice siempre piezas de repuesto idénticas.*

Registro en línea

Gracias por su compra. Registre su producto ahora para:

- **SERVICIO EN GARANTÍA:** Si completa esta tarjeta, podrá obtener un servicio en garantía más eficiente, en caso de que exista un problema con su producto.

- **CONFIRMACIÓN DE PROPIEDAD:** En caso de una pérdida que cubra el seguro, como un incendio, una inundación o un robo, el registro de propiedad servirá como comprobante de compra.
- **PARA SU SEGURIDAD:** Si registra el producto, podremos comunicarnos con usted en el caso improbable que se deba enviar una notificación de seguridad conforme a la Federal Consumer Safety Act (Ley Federal de Seguridad de Productos para el Consumidor).

Registro en línea en www.dewalt.com/register.

Para reparación y servicio de sus herramientas eléctricas, favor de dirigirse al Centro de Servicio más cercano

CULIACAN, SIN

Blvd. Emiliano Zapata 5400-1 Poniente Col. (667) 717 89 99
San Rafael

GUADALAJARA, JAL

Av. La Paz #1779 - Col. Americana Sector (33) 3825 6978
Juárez

MEXICO, D.F.

Eje Central Lázaro Cárdenas No. 18 - Local (55) 5588 9377
D, Col. Obrera

MERIDA, YUC

Calle 63 #459-A - Col. Centro (999) 928 5038

MONTERREY, N.L.

Av. Francisco J. Madero 831 Poniente - Col. (818) 375 23 13
Centro

PUEBLA, PUE

17 Norte #205 - Col. Centro (222) 246 3714

QUERETARO, QRO

Av. San Roque 274 - Col. San Gregorio (442) 2 17 63 14

SAN LUIS POTOSI, SLP

Av. Universidad 1525 - Col. San Luis (444) 814 2383

TORREON, COAH

Blvd. Independencia, 96 Pte. - Col. Centro (871) 716 5265

VERACRUZ, VER

Prolongación Díaz Mirón #4280 - Col. (229) 921 7016
Remes

VILLAHERMOSA, TAB

Constitución 516-A - Col. Centro (993) 312 5111

PARA OTRAS LOCALIDADES:

Si se encuentra en México, por favor llame al (55) 5326 7100

Si se encuentra en U.S., por favor llame al 1-800-433-9258 (1-800 4-DEWALT)

Póliza de Garantía

IDENTIFICACIÓN DEL PRODUCTO:

Sello o firma del Distribuidor.

Nombre del producto: _____

Mod./Cat.: _____

Marca: _____
 Núm. de serie: _____

(Datos para ser llenados por el distribuidor)

Fecha de compra y/o entrega del producto:

Nombre y domicilio del distribuidor donde se adquirió el producto:

Este producto está garantizado por un año a partir de la fecha de entrega, contra cualquier defecto en su funcionamiento, así como en materiales y mano de obra empleados para su fabricación. Nuestra garantía incluye la reparación o reposición del producto y/o componentes sin cargo alguno para el cliente, incluyendo mano de obra, así como los gastos de transportación razonablemente erogados derivados del cumplimiento de este certificado.

Para hacer efectiva esta garantía deberá presentar su herramienta y esta póliza sellada por el establecimiento comercial donde se adquirió el producto, de no contar con ésta, bastará la factura de compra.

Excepciones

Esta garantía no será válida en los siguientes casos:

- Cuando el producto se hubiese utilizado en condiciones distintas a las normales;
- Cuando el producto no hubiese sido operado de acuerdo con el instructivo de uso que se acompaña;
- Cuando el producto hubiese sido alterado o reparado por personas distintas a las enlistadas al final de este certificado.

Anexo encontrará una relación de sucursales de servicio de fábrica, centros de servicio autorizados y franquiciados en la República Mexicana, donde podrá hacer efectiva su garantía y adquirir partes, refacciones y accesorios originales.

Garantía limitada por tres años

DEWALT reparará, sin cargo, cualquier falla que surja de defectos en el material o la fabricación del producto, por hasta tres años a contar de la fecha de compra. Esta garantía no cubre fallas de las piezas causadas por su desgaste normal o abuso a la herramienta. Para mayores detalles sobre la cobertura de la garantía e información acerca de reparaciones realizadas bajo garantía, visítenos en www.dewalt.com o dirígase al centro de servicio más cercano. Esta garantía no aplica a accesorios o a daños causados por reparaciones realizadas o intentadas por terceros. ESTA GARANTÍA LIMITADA SE OTORGA EN VEZ DE TODAS LAS DEMÁS, INCLUIDA LA GARANTÍA IMPLÍCITA DE COMERCIALIZACIÓN Y APTITUD PARA UN FIN PARTICULAR, Y EXCLUYE TODOS LOS DAÑOS INCIDENTALES O CONSECUENTES. Algunos estados no permiten limitaciones sobre la duración de una garantía implícita, o la exclusión o limitación de daños incidentales o consecuentes, así que estas limitaciones pueden no aplicarse a usted. Esta garantía le otorga derechos legales específicos, además de los cuales usted puede tener otros derechos dependiendo del estado o la provincia en que se encuentre.

Además de la garantía, las herramientas DEWALT están cubiertas por:

1 AÑO DE SERVICIO GRATUITO

DEWALT mantendrá la herramienta y reemplazará las piezas gastadas por su uso normal, sin cobro, en cualquier momento durante un año a contar de la fecha de compra.

2 AÑOS DE SERVICIO GRATUITO PARA UNIDADES DE ALIMENTACIÓN DEWALT

DC9071, DC9091, DC9096, DC9280, DC9360, DC9180, DCB120, DCB127, DCB201, DCB203, DCB203BT, DCB207, DCB361

3 AÑOS DE SERVICIO GRATUITO PARA UNIDADES DE ALIMENTACIÓN DEWALT

DCB200, DCB204, DCB204BT, DCB205, DCB205BT, DCB206, DCB606, DCB609

NOTA: La garantía del producto quedará nula si la unidad de batería ha sido alterada de cualquier manera. DEWALT no es responsable de ninguna lesión causada por alteraciones y podría iniciar un procedimiento judicial por fraude de garantía hasta el máximo grado permisible por la ley.

GARANTÍA DE REEMBOLSO DE SU DINERO POR 90 DÍAS

Si no está completamente satisfecho con el desempeño de su máquina herramienta, láser o clavadora DEWALT, cualquiera sea el motivo, podrá devolverlo hasta 90 días de la fecha de compra con su recibo y obtener el reembolso completo de su dinero – sin necesidad de responder a ninguna pregunta.

AMÉRICA LATINA: Esta garantía no se aplica a los productos que se venden en América Latina. Para los productos que se venden en América Latina, debe consultar la información de la garantía específica del país que viene en el empaque, llamar a la compañía local o visitar el sitio Web a fin de obtener esa información.

REEMPLAZO GRATUITO DE LAS ETIQUETAS DE ADVERTENCIAS:

Si sus etiquetas de advertencia se vuelven ilegibles o faltan, llame al 1-800-433-9258 (1-800-4-DEWALT) para que se le reemplacen gratuitamente.

ESPECIFICACIONES

DCCS620 20 V Máx*

Solamente para propósito de México:

Importado por: DEWALT Industrial Tool Co. S.A. de C.V.
 Avenida Antonio Dovali Jaime, # 70 Torre B Piso 9
 Colonia La Fe, Santa Fé
 Código Postal : 01210
 Delegación Alvaro Obregón
 México D.F.
 Tel. (52) 555-326-7100
 R.F.C.: BDE810626-1W7

DEWALT BATTERY AND CHARGER SYSTEMS

**Chargers/Charge Time (Minutes) . Chargeurs/Durée de charge (Minutes) .
Cargadores de baterías/Tiempo de carga (Minutos)**

Battery Cat #	Output Voltage	120 Volts														12 Volts		
		DC9000	DC9310	DC9320	DCB095	DCB102	DCB103	DCB107	DCB112	DCB113	DCB114	DCB115	DCB116	DCB118	DCB132	DCB119	DW0249	DCB412
DCB609	20/60	X	X	X	X	135	135	432	270	230	X	135	X	75	270	X	X	X
DCB606	20/60	X	X	X	X	100	100	272	170	140	X	90	X	60	90	X	X	X
DCB404	40	X	X	X	X	X	X	X	X	X	90	X	30	X	X	X	X	130
DCB406	40	X	X	X	X	X	X	X	X	X	130	X	45	X	X	X	X	190
DCB407	40	X	X	X	X	X	X	X	X	X	170	X	60	X	X	X	X	235
DC9360	36	45	X	X	X	X	X	X	X	X	X	X	X	X	X	X	X	X
DCB361	36	45	X	X	X	X	X	X	X	X	X	X	X	X	X	X	X	X
DC9280	28	60	X	X	X	X	X	X	X	X	X	X	X	X	X	X	X	X
DW0242	24	X	X	X	X	X	X	X	X	X	X	X	X	X	X	X	60	X
DCB200	20	X	X	X	X	60	60	140	90	67	X	45	X	45/30**	45	90	X	X
DCB201	20	X	X	X	X	30	30	70	45	35	X	22	X	22	22	45	X	X
DCB203	20	X	X	X	X	35	35	90	60	45	X	30	X	30	30	60	X	X
DCB203BT*	20	X	X	X	X	35	35	90	60	45	X	30	X	30	30	60	X	X
DCB204	20	X	X	X	X	70	70	185	120	90	X	60	X	60/40**	60	120	X	X
DCB204BT*	20	X	X	X	X	70	70	185	120	90	X	60	X	60	60	120	X	X
DCB205	20	X	X	X	X	95	95	240	150	112	X	75	X	75/47**	75	150	X	X
DCB206	20	X	X	X	X	100	100	272	170	140	X	90	X	60	90	X	X	X
DCB207	20	X	X	X	X	30	30	60	40	30	X	22	X	22	22	X	X	X
DC9182	18	X	40	40	X	X	40	X	X	X	X	X	X	X	X	X	40	X
DCB120	12	X	X	X	X	30	30	60	45	35	X	20	X	X	X	45	X	X
DCB127	12	X	X	X	X	35	35	90	60	50	X	30	X	X	X	60	X	X
DCB080	8	X	X	X	60	X	X	X	X	X	X	X	X	X	X	X	X	X

*BT - Bluetooth® **NOTE:** The Bluetooth® word mark and logos are registered trademarks owned by the Bluetooth®, SIG, Inc. and any use of such marks by DEWALT is under license. Other trademarks and trade names are those of their respective owners.

**Battery Datecode 201536 or later.

"X" Indicates that the battery pack is not compatible with that specific charger. All charge times are approximate. Actual charge time may vary. Read the instruction manual for more specific information.

"X" indique que le bloc-piles n'est pas compatible avec ce chargeur. Les durées de charge sont approximatives; la durée de charge réelle peut varier. Lire le manuel d'utilisation pour obtenir des renseignements plus précis.

Una "X" indica que el paquete de baterías no es compatible con ese determinado cargador. El tiempo de duración de carga es aproximado; la duración de carga real puede variar. Lea el manual de instrucciones para obtener información más precisa.

* Maximum initial battery voltage (measured without a workload) is 20, 60 or 120 volts. Nominal voltage is 18, 54 or 108. (120V Max* is based on using 2 DEWALT 60V Max* lithium-ion batteries combined.)

* La tension initiale maximum du bloc-piles (mesurée à vide) est de 20, 60 ou 120 volts. La tension nominale est de 18, 54 ou 108. (120 V Max* se base sur l'utilisation combinée de 2 blocs-piles au lithium ion DEWALT de 60 V Max*).

* El máximo voltaje inicial de la batería (medido sin carga de trabajo) es 20, 60 o 120 voltios. El voltaje nominal es de 18, 54 o 108. (120 V Máx* se basan en el uso de 2 baterías de iones de litio DEWALT de 60 V Máx* combinadas).

DEWALT Industrial Tool Co., 701 East Joppa Road, Towson, MD 21286
(JUN17) Part No. N518512 DCCS620 Copyright © 2017 DEWALT

The following are trademarks for one or more DEWALT power tools: the yellow and black color scheme, the "D" shaped air intake grill, the array of pyramids on the handgrip, the kit box configuration, and the array of lozenge-shaped humps on the surface of the tool.